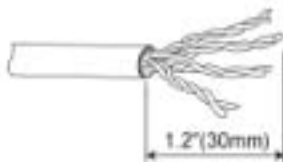
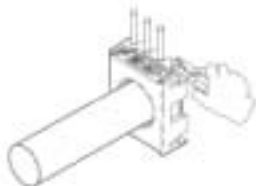


①



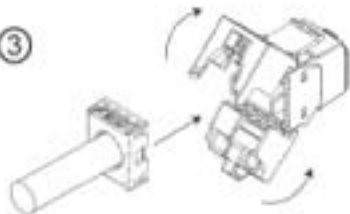
Strip off 1.2 inch of a cable jacket.

②



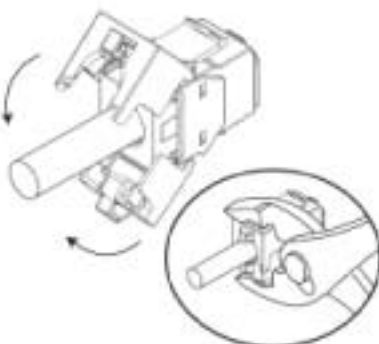
Insert a cable into the termination cap and fan out all four twisted pairs. Following the instruction of the color-coded wire position printed on the termination cap, position conductors into the slots and make sure the conductors are in the proper slot. Trim the ends of the conductors.

③



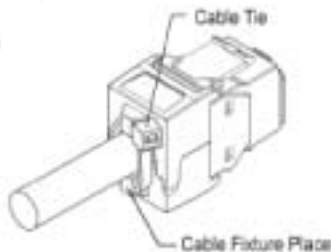
Install the termination cap to outlet, which will also allocate the conductors sitting on the slots.

④



Secure the hinged outlet by using a crimp tool until it completely snap to effect the connection.

⑤



Fasten a cable tie wrap to secure the cable fixture place.

JACK PIN DESIGNATIONS	TIA / EIA T568A	TIA / EIA T568B
	1	White/Green
2	Green	Orange
3	White/Orange	White/Green
6	Orange	Green
4	Blue	Blue
5	White/Blue	White/Blue
7	White/Brown	White/Brown
8	Brown	Brown