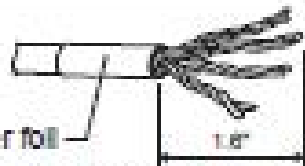


①

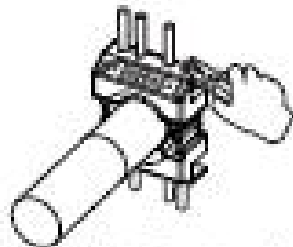


Copper foil

Strip off 1.6 inch of a cable jacket and fold braid back over it. Cut off aluminum foil for each pair, and use a supplied copper foil shield surrounding a cable.

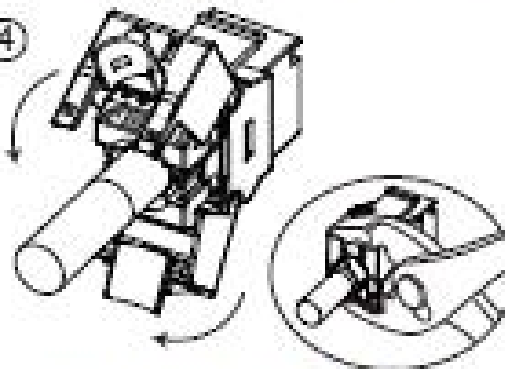
| JACK PIN DESIGNATIONS | TIA/EIA T568A | TIA/EIA T568B |
|-----------------------|---------------------|-------------------|
| | 1 | White/Green Green |
| 2 | White/Orange Orange | White/Green Green |
| 3 | Blue White/Blue | Blue White/Blue |
| 4 | White/Brown Brown | White/Brown Brown |

②



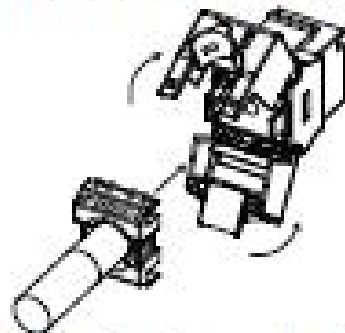
Insert a cable into the termination cap and fan out all four twisted pairs. Following the instruction of the color-coded wire position printed on the termination cap, position conductors into the slots and make sure the conductors are in the proper slot. Trim the ends of the conductors

④



Secure the hinged outlet by using a crimp tool until it completely snap to effect the connection.

③



Install the termination cap to outlet, which will also allocate the conductors sitting on the slots.

⑤



Fasten cable tie(1) to secure the grounding. Optional cable tie(2) for securing of flaps.