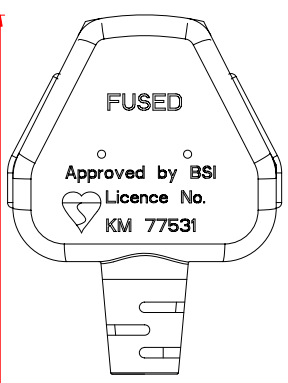


P1: M-015
P2: M-006

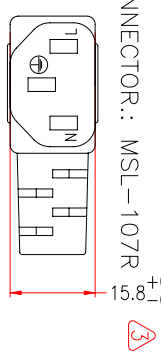
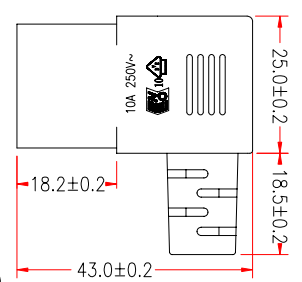
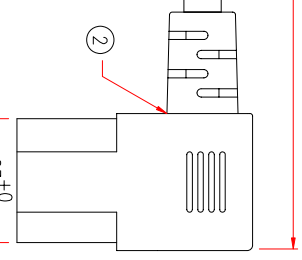
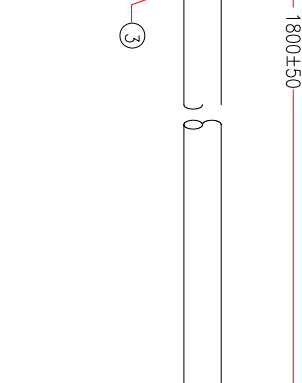
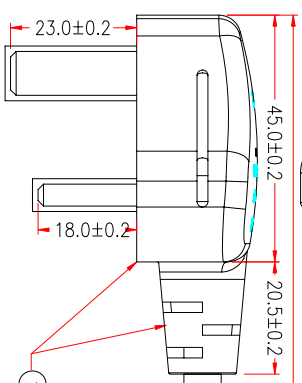
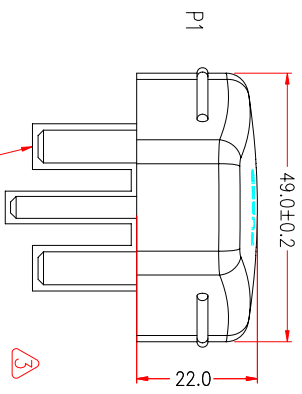
Customer No.: No.6

LOGO	FUSE
	3A

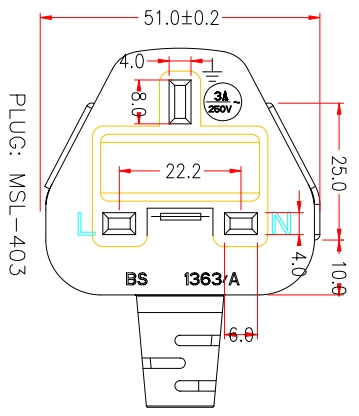
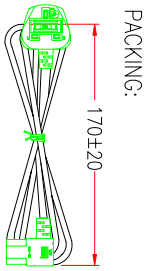
FUSE:



P2:



CONNECTOR.: MSL-107R



CONCAVE LETTERING WORD CABLE:

H05W-F 3G 0.75mm² Ⓢ Ⓝ Ⓢ Ⓢ Ⓢ KEMA-KEUR IEMMEOU <VDE>

N20050 G1SA-3 3G 0.75mm² MSL

P1	P2
BROWN	L
BLUE	N
GREEN/YELLOW	E

NOTE: All relevant materials are compiled with RoHS directive .
THE LABEL TO BE STAMPED ON THE BIG POLY-BAG

3	H05W-F 3G 0.75mm ² , G1SA-3, 0068mm, JACKET BLACK, DRAWING No. EPH5V0107503C-102	1800mm	M304
2	MOLDED PVC 45P, COLOR BLACK BRACKET: CP-R445A-BS TERMINAL: 2*4mm, 98744BS-0/A MOLDED PVC 45P, COLOR BLACK	1 1 3	M304 M767 M257 M304
1	FUSE LATCH: MSL-403 FUSE: 3A PRESSURE CAP, MSL-403 PLUG BRACKET AND TERMINAL A PIECE TYPE:168103, MSL-403	1 1 1	M767 M455 M402 M402
No.	DESCRIPTION	Q'ty	Supplier

PART NO.109402E3FS2E(FP147-04) Revision:

APPROVED	APPROVED	DATE	22/NOV/17	ITEM NO.	EK460.1,8	UNIT:mm	
CHECKED	HU	DRAWING	JIANGJU				

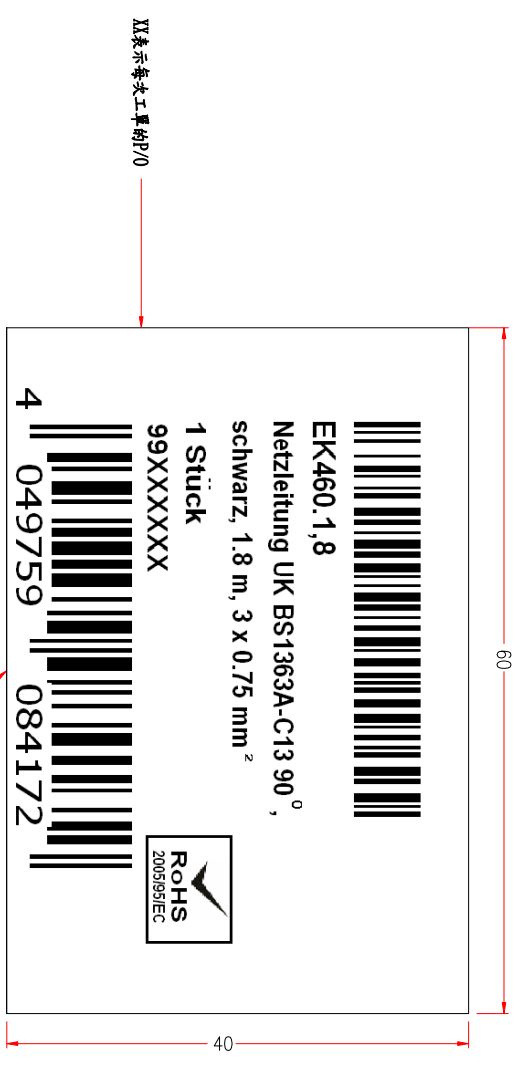


REV.3 2017.11.22 MODIFY CABLE & P1 PLUG & P2 MOLD SIZE page: 1 of 2

REV.2 2013.03.11 MODIFY CABLE MARKING CONTENT

REV.1 2011.12.12 ADD LABEL

CHECKED



99XXXXXXXX表示每次工單的P/O

REV.3 2017.11.22	MODIFY CABLE & P1 PLUG	
REV.2 2013.03.11	MODIFY CABLE MARKING CONTENT	
REV.1 2011.12.12	ADD LABEL	CHECKED

page: 2 of 2

No.	DESCRIPTION	Q'TY	Supplier
PART NO.109402E3FS2E(FP147-04)			
Revision:			
APPROVED			
CHECKED	HU		
DRAWING	JIANGJU		
DATE	22/NOV/17	ITEM NO.	EK460.1,8
		UNIT:mm	
Cable Length Unless Other Spec. Tolerances: 0 ~200mm 201~1000mm 1001 ~1500mm 1501~2100mm 2100mm↑			±10mm ±20mm ±25mm ±30mm ±40mm