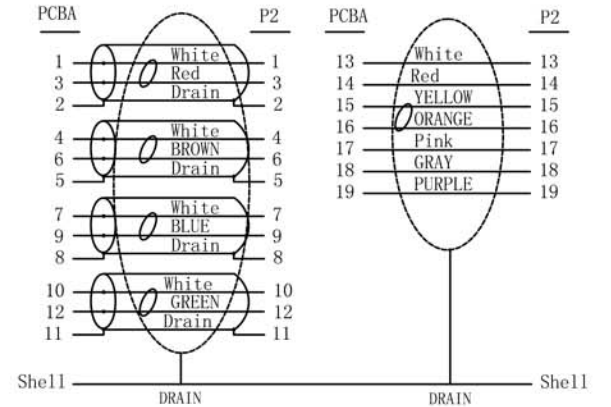


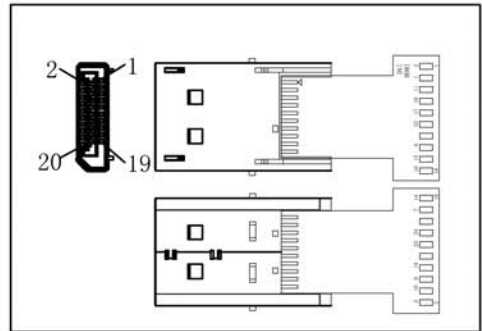
ITEM NO.	LENGTH	Packing Unit
K5561SW.1	1000+/-10MM	100
K5561SW.2	2000+/-20MM	60
K5561SW.3	3000+/-30MM	50
K5561SW.5	5000+/-50MM	30

PIN Assignment



Test requirements

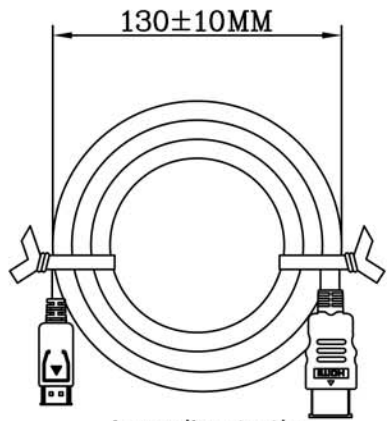
1.100% real machine test



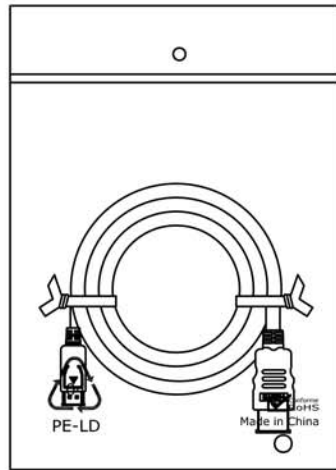
NO	ITEM	DESCRIPTION	Q'TY	UNIT	REV.	ECN NO.	DESCRIPTION	DATE	CHANGER
10	DisplayPort M transparent dust cover		1	pcs					
9	HDMI M transparent PVC dust cover		1	pcs					
8	Heat shrinkable casing`black`thin-walled`30 1.5 MM (RoHs2.0 + REACH + HF + excluding red phosphorus) DVI M transparent PVC dust cover		0.016	M					
7	Heat shrinkable casing`black`thin-walled`30 2.0 MM (RoHs2.0 + REACH + HF + excluding red phosphorus)		0.032	M					
6	Heat shrinkable casing`black`thin-walled`30 1.0 MM (RoHs2.0 + REACH + HF + excluding red phosphorus)		0.04	M					
5	DisplayPotr M stretched type under the black ABS shell (CABLE/plate)		1	pcs					
4	DisplayPort M stretched type black ABS on the outer shell (CABLE/plate) with the words "DP" LOGO		1	pcs					
3	45 p black PVC material environmental protection		5	g					
2	DP connector (plug gold-plated DP TO HDMI NXP scheme) empty PCB + patch + after welding		1	pcs					
1	M HDMI TO HDMI 28 awg 85% AL 2 M M black gold plated 2 # (automatic welding)		1/2	pcs					
					REV.	ECN NO.	DESCRIPTION	DATE	CHANGER
					⊕	⊕	TOLERANCE		
							INCHES		
							M/M		
					.X	.015	.30		
					.XX	.010	.10		
					.XXX	.005	.05		
					DRAWN BY	LYW	CUSTOMER :	EFB	
					CHECK BY		CUSTOMER NO.:	K5561SW.1	
					APPD BY		SCALE	NONE	DRAWING NO.:
							UNIT	MM	
							DATE	2016.09.13	CAK290013
									REV. A01
									1/2



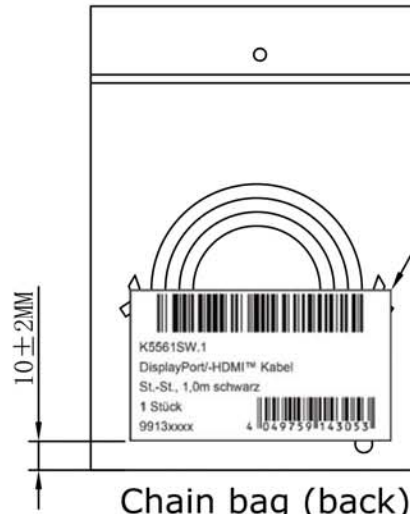
TITLE: Display Port M to HDMI M 1M



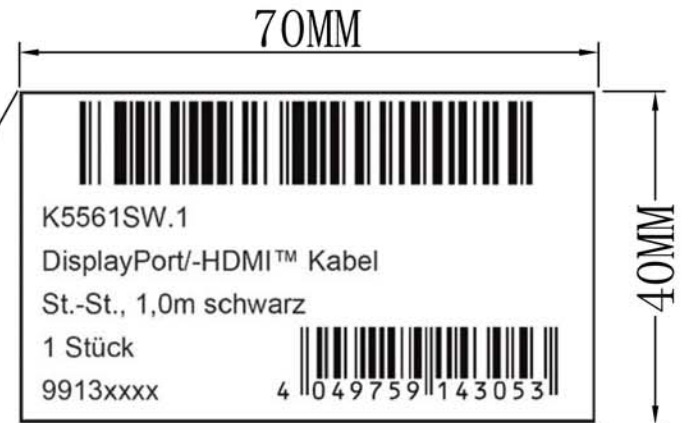
According to the graphic winding



Single PCS clamping chain bag (positive)

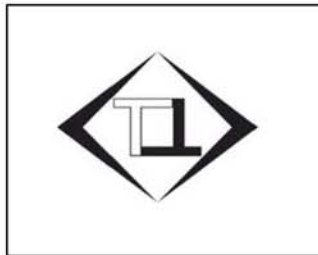


Chain bag (back)



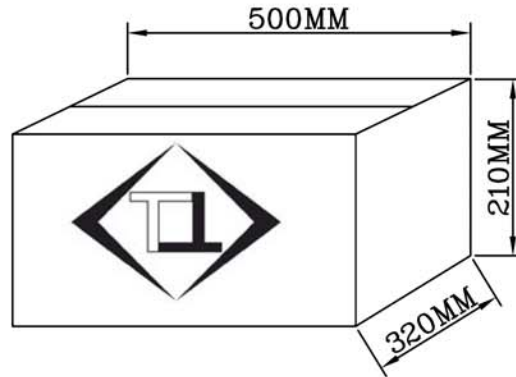
The guest label

Is ma :



Side mark:

ITEM NO:
ORDER NO:
QTY:
G.W.:
N.W.:
CARTON NO:



The packing way:
Each containing N PCS.

REV.	ECN NO.	DESCRIPTION	DATE	CHANGER
6		Black tie (0.9 * 1.7 MM) L = 90 MM (conform to the requirements of the halogen free & REACH&RoHS)		
5		Neutral transparent folder chain bag ~ 160 * 240 * 0.06 MM ~ PE material to print and RoHS environmental protection mark... (air holes and round holes)		
4		EFB guest license tag ~ 70 * 40 mm ~ coated paper ~ glue to strengthen glue to seal: K5561SW. 1... Note: 9913 XXXX change with the order		
3		Cardboard B3C x300mm 480		
2		Waterproof bag 850 * 750 * 0.06 MM is not printing		
1		Carton K = K 500 * 320 * 210 mm printing: EFB guest shipping mark		
NO.	ITEM	DESCRIPTION	Q'TY	UNIT

REV.	ECN NO.	DESCRIPTION	DATE	CHANGER
		TOLERANCE INCHES M/M		
	.X	.015 .30		
	.XX	.010 .10		
	.XXX	.005 .05		
		TITLE: Display Port M to HDMI M 1M		
		CUSTOMER : EFB		
		CUSTOMER NO.: K5561SW. 1		
		DRAWN BY LYW		
		CHECK BY		
		APPD BY		
		SCALE NONE		
		UNIT MM		
		DATE 2016.09.13		
		DRAWING NO.: CAK290013		
		REV. A01		
		2/2		