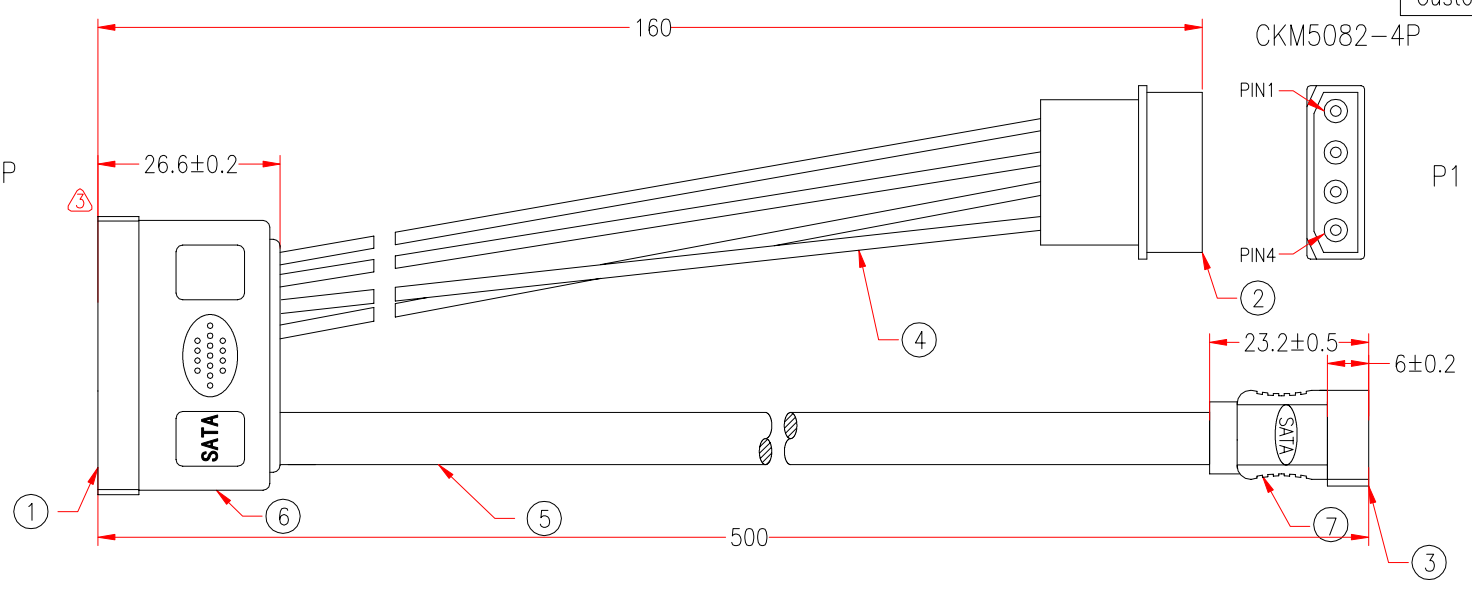
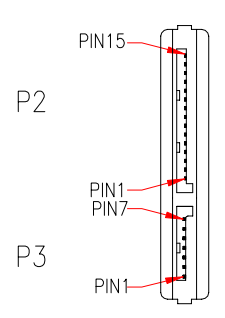


P2,P3:	M-Y358A
	M-358A
P4:	M-Y348A
	M-348A

Customer No: No.6

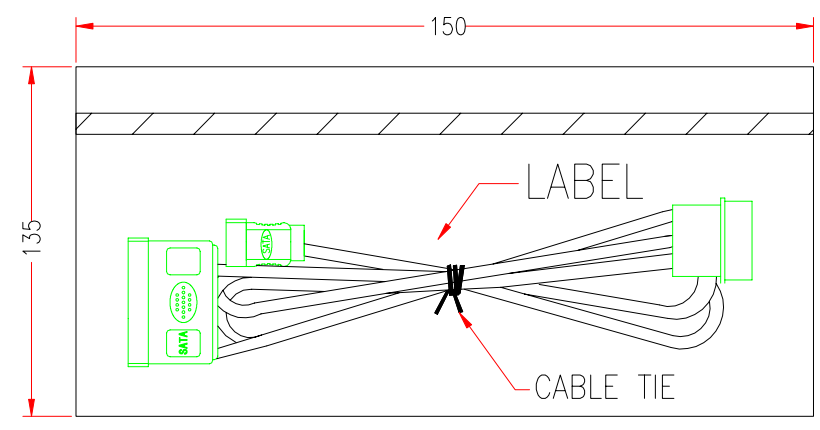
ATA 7P-ATA 15P



9848-1

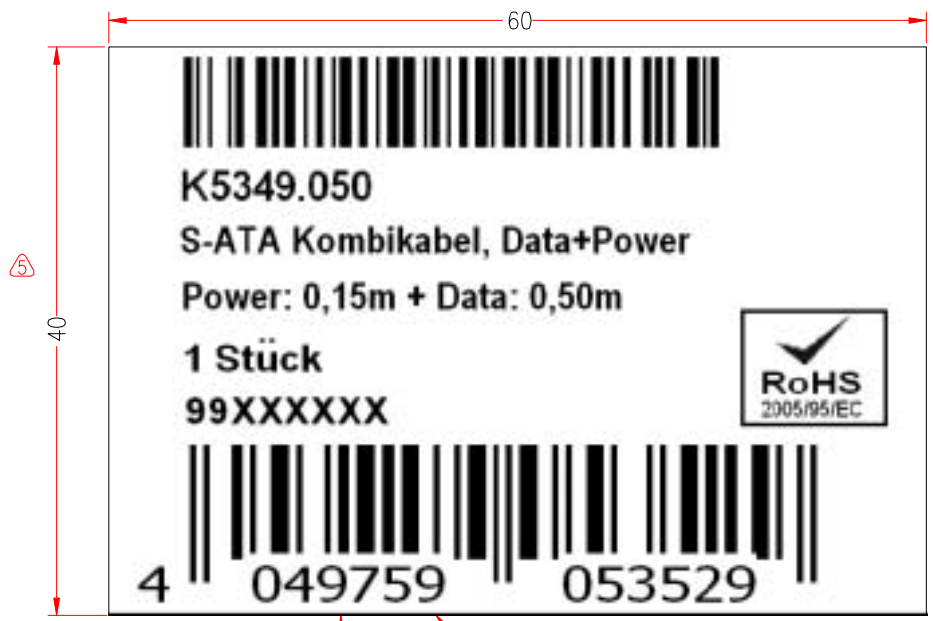
P1	P2	P3	P4
1 YELLOW	13	1	1 SHIELD
2 BLACK	14 +12V	2	2 WHITE
	15	3	3 WHITE
	10	4	4 SHIELD
3 BLACK	11 GND	4	4 SHIELD
	12	5	5 WHITE
	4	6	6 WHITE
4 RED	5 GND	7	7 SHIELD
	6		
	7		
	8 +5V		
	9		

PACKAGE:



PART NO. 9848-1		Revision:		Cable Length Unless Other Spec. Tolerances: 0 ~200mm ±10mm 201~1000mm ±20mm 1001 ~1500mm ±25mm 1501~2100mm ±30mm 2100mm↑ ±40mm
APPROVED				
CHECKED	HU			
DRAWING	Zhou			
DATE	18/JAN/12	ITEM NO.	K5349.050	UNIT:mm

RE.4	2011.02.09	MODIFY LABEL	RE.5	2012.01.18	MODIFY LABEL
RE.3	2010.08.24	MODIFY PLUG			
RE.2	2010.04.22	ADD LAEBL			
RE.1	2010.01.18	MODIFY PLUG NAME ,CABLE AND SPEC	CHECKED		



XX表示每次工單的P/O
 LABEL

*NOTE: ALL relevant materials are complied with ROHS directive

7	MOLDED PE COLOR TRANSPARENT	A5BA02-0280		M280
	MOLDED PVC BLACK	H1BF01-0304K09		M304
6	MOLDED PE COLOR TRANSPARENT	A5BA02-0280		M280
	MOLDED PVC BLACK	H1BF01-0304K09		M304
5	UL2725 SERIAL ATA EXTERNAL CABLE, 26AWG (26AWG+2C+D/W*4+AL/MY)*2C, OD 2.2*7.6mm, JACKET RED(UL E NO.E301195),	A2KF01-0299	485mm	M299
4	UL1061 18AWG INSULATOR WIRE, LENGTH 140mm,(UL E NO.E300060) DRAWING No. EH001801C-014	H5SE02-0304	4	M304
3	SERIAL ATA CONNECTOR, MALE 7 PIN, BLACK PLASTIC, RIVET JOINT TYPE	A1YA18-0843	1	M0843
2	TERMINAL: CKM5082-T	A1RP05-0031	4	M31
	HOUSING: CKM5082-4P, PITCH 5.08mm(UL E186634)	A1RP04-0031	1	M31
1	SERIAL ATA CONNECTOR, MALE 7+15 PIN, BLACK PLASTIC, A PIECE AND RIVET JOINT TYPE	A1YA22-0950	1	M950
No.	DESCRIPTION	Q'TY	Supplier	

PART NO. 9848-1		Revision:		Cable Length Unless Other Spec. Tolerances: 0 ~200mm ±10mm 201~1000mm ±20mm 1001 ~1500mm ±25mm 1501~2100mm ±30mm 2100mm↑ ±40mm
APPROVED				
CHECKED	HU			
DRAWING	Zhou			
DATE	18/JAN/12	ITEM NO.	K5349.050	UNIT:mm

RE.4 2011.02.09	MODIFY LABEL	RE.5 2012.01.18	MODIFY LABEL
RE.3 2010.08.24	MODIFY PLUG		
RE.2 2010.04.22	ADD LAEBL		
RE.1 2010.01.18	MODIFY PLUG NAME ,CABLE AND SPEC	CHECKED	