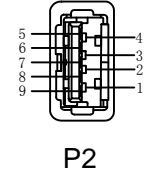
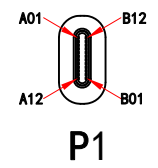
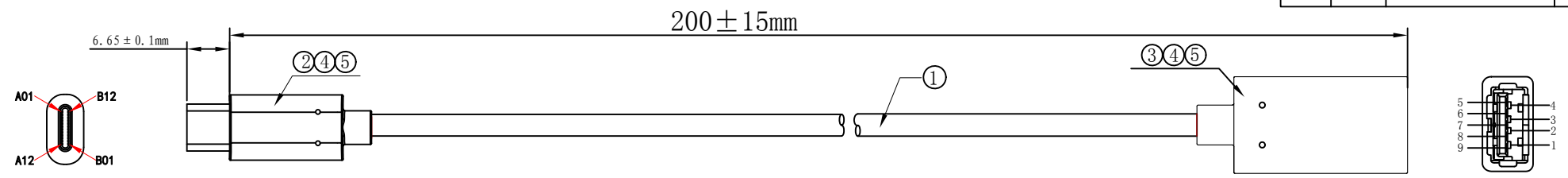
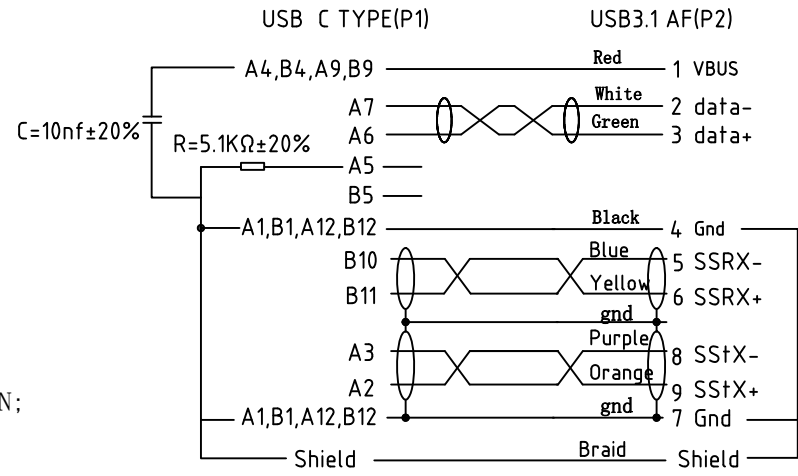


REVISIONS			
REV	DATE	DESCRIPTION	APPRO. BY



PIN ASSIGNMENT:



NOTE:

- Electrical test:
 - 100% open short & miss wire test;
 - Insulation resistance: DC 200V 10MΩ MIN;
 - Conductor resistance: 5Ω MAX
- RoHS Compliant.
- The transmission speed reaches the GEN1 3A/5G standard.

MATERIAL LIST:

⑤	OUTER MOLD	PVC 88A COLOR/BLACK	2	
④	INNER MOLD	LD-PE NATURE IN COLOR	2	
③	CONNECTOR 2	USB 3.0 AF PIN Gold-Platde Fu", Shell Ni-Plated;	1	
②	CONNECTOR 1	USB 3.1 C TYPE PIN Gold-Platde Fu", Shell Ni-Plated;	1	
①	CABLE	USB3.2 GEN1 32AWG(7/0.08TC*1P+E+AL+ML)*2+30AWG(7/0.10TC*2C)+24AWG(7/0.20TC*2C)+AB B=80/0.10TC E=7/0.08TC JACKET:PVC/BLACK OD:4.2±0.2mm	1	
NO.	PARTS NAME	SPECIFICATION DESCRIPTION	QT'Y	REMARK

CUSTOMER'S ITEM	K5313SW.0.2	CUSTOMER	EFB	
DRAWING		TITLE	USB3.2 GEN1 CM - AF	
UNIT	mm	SCALE	REV	A/0
DRAWN BY	CHECK BY	APPRO BY	DATE	
Zhouqinghua			2020/2/17	