

# Customer Drawing

220±10

45

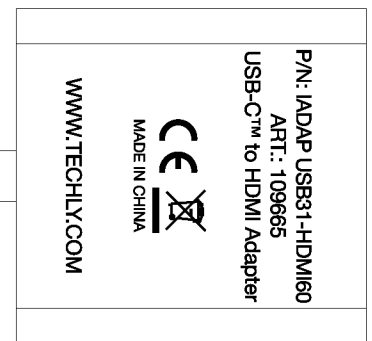
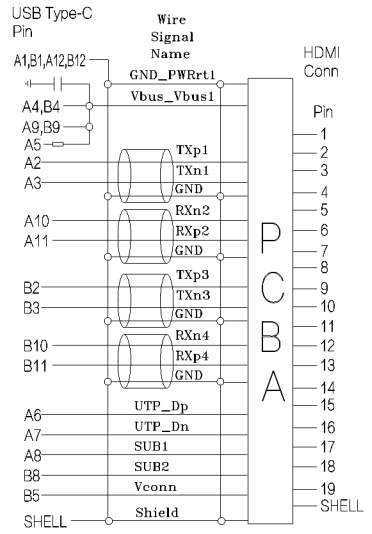
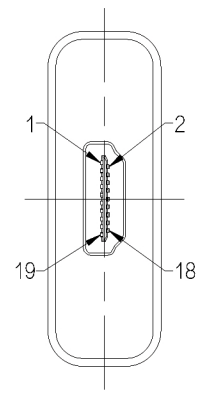
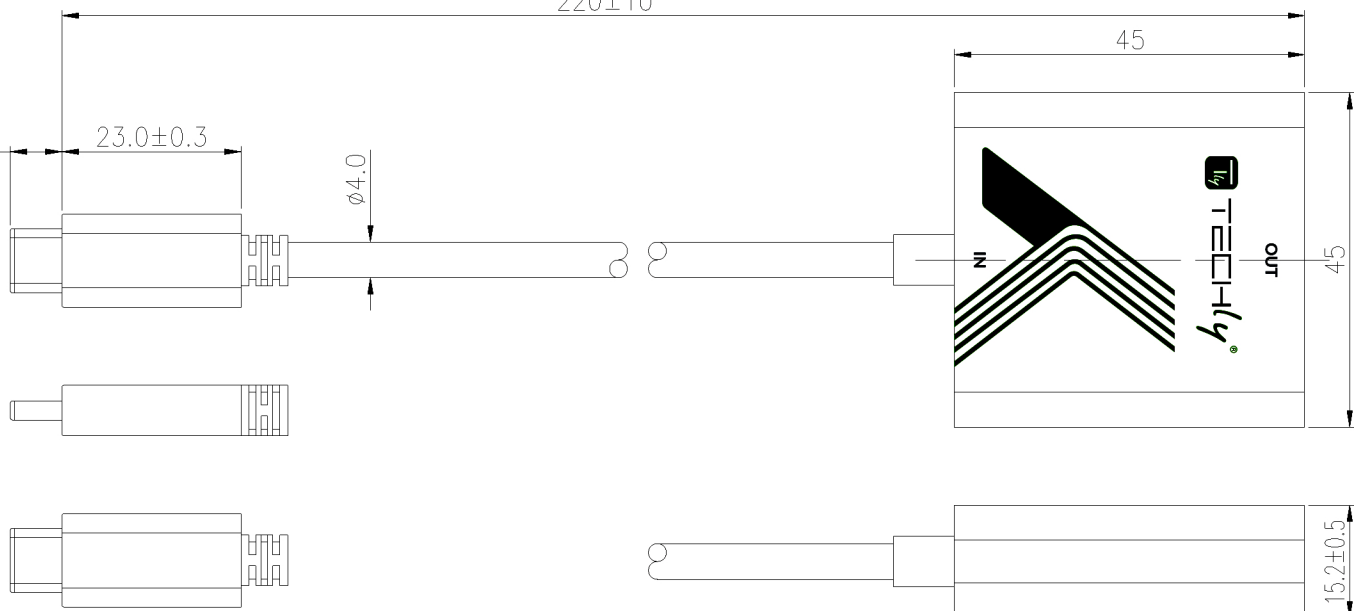
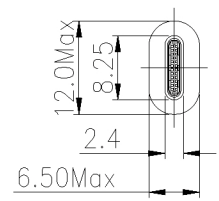
6.65Min

23.0±0.3

∅4.0

45

15.2±0.5



7	SR&Molding	PVC COLOR:White	1	
6	BOTTOM COVER	ABS COLOR:White	1	
5	TOP COVER	ABS COLOR:White	1	
4	PCBA	IC:RTD2171	1	
3	CABLE	(7/0.06T*1P+D+AL+HM)*4C+7/0.06T*1P+7/0.06T*4C+7//0.16T*2C+AB OD=4.0 White	1	
2	HDMI A Female	Contact C2680 Gold Flash ,Shell SPCC NI PLATED ,Housing LCP White	1	04ULV-0
1	USB3.1 Type C Male	Contact C5210EH AU 3u ,Shell SUS NI PLATED ,Latch SUS NI Plated ,Housing LCP Black	1	0999C
NO. SUB PART NAME OR NO.			MANUF ACTURE TYPE & FINISH	QTY REMARK

Name		USB Type C Male TO HDMI Female Cable						
Part NO.		Cod. IADAP USB31-HDMI60						
Develop series NO.								
File NO.	CH-MM-3-E-XXX	Unit:(mm)	Drawing:(A4)	VERSION	MARKED	CHANGE CONTENTS	DATE	
Scale	1 : 1	X.	±5	A0		INITIAL		
Page	1 OF 1	X.X	±1.5	A0	---			
Third angle projection		X.XX	±0.50	A1	Δ			
		X.X°	±2°					
		X.XX°	±1°	Approval	Check	Draw	Design	
		X.XXX°	±0.5°					