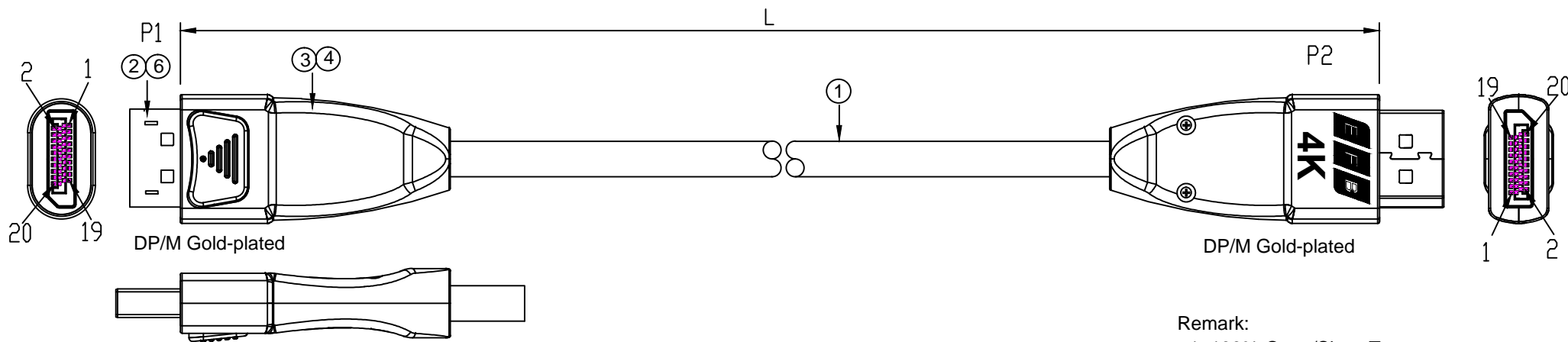
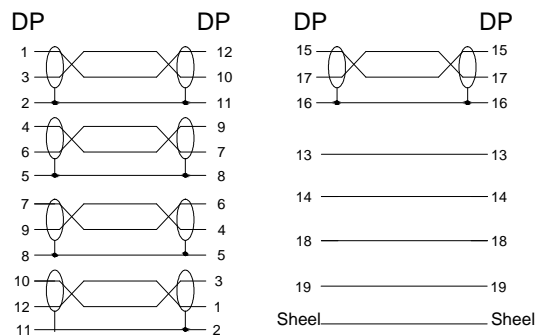


REV.	REVISED DESCRIPTION	DATE	CHECKED
A0	FIRST RELEASE	2019/11/29	



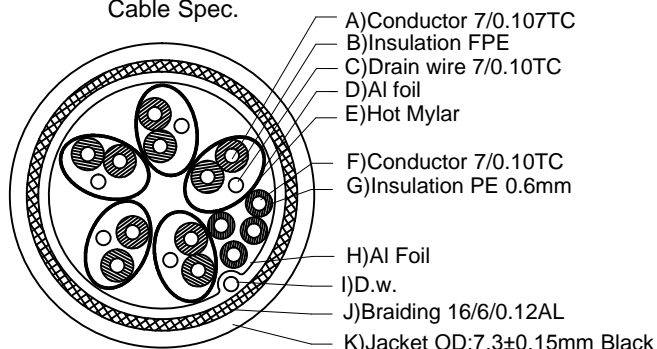
Remark:

- 100% Open/Short Test
- Conductive Resistance: 5ohms MAX
- Insulation Resistance: 10M ohm MIN.
- HI-POT: DC 300V/10MS.
- The product is RoHS compliant.
- Dp to Dp 1.2V



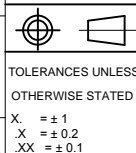
Wire method

Cable Spec.



Item NO.	Length
K5560HQSW.1	1.0m
K5560HQSW.2	2.0m
K5560HQSW.3	3.0m
K5560HQSW.5	5.0m

⑤	Lid	PE, DP Lid	2PCS	
④	Shell	Zinc alloy, Dumb gun black	2PCS	
③	Inernal Mold	Inner Mould PE	2PCS	
②	Connector	DP male , Gold-Plated	2PCS	
①	Cable	DP 1.2V30AWG [(7/0.10TC+FPE) *1P+7/0.07TC+AL]*5C+ (7/0.10TC+HDPE)*5C+AL+D+96/0.12ALB+ PVCOD7.3mmBlack		
ITEM	DESCRIPTIONS & SPECIFICATIONS		QTY	REMARK



ERP NO.:		SAMPLE DWG NO.:	
ZG No.:		ZG-2203M1	REVISION A0
CUSTOMER:		UNIT mm	
CUSTOMER P/N:		SCALE NO	
DESCRIPTION DP Male to DP Male		PAGE NO	1/1
		DATE	2019/11/29
APPROVAL	CHECKED	DRAWN	