

19" Network-/Server Cabinets PRO - Overview and Technical Details for new EFB Cabinet Series

- Comfortably dismountable
- Max. load up to 1360 kg
- Incl. pre-assembled earthing bar
- Highest flexibility



Table of Contents

Common Specifications	page 2
Highlights.....	page 3
Details cabinet roof and bottom	page 4
Line-up of cabinets.....	page 5
Dismounting of cabinet frame	page 6-8
Max. loads, material and -thicknesses	page 8
Depth-adjustment and depth rails	page 9
Order data network cabinets	page 10
Order data server cabinets.....	page 11
Order data modular frames	page 12
Doors and side walls	page 13
Modular plinth system	page 14
Modular plinth sets + examples.....	page 15
Drawings frame network / server.....	page 16
Drawings frame 47U 800x1200 mm.....	page 17
Drawings roof W=800 mm.....	page 18
Drawings roof W=600 mm	page 19
Drawings bottom W=800 mm.....	page 20
Drawings bottom W=600 mm.....	page 21



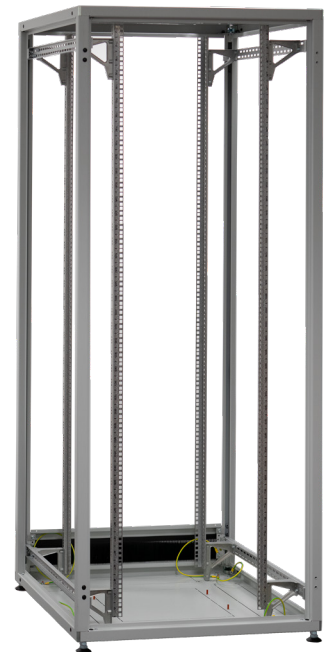
Art.-Nr.	PRO-4288GR.G1SV	Datei	PRO-xx.indd		
Beschreibung	19" Netzwerk-/Serverschränke PRO				
Erstellt	Datum	Letzte Revision	Datum	Geprüft	Datum
MN	21.03.2018	MN	21.11.2019	MN	21.11.2019

19" Network-/Server Cabinets PRO

Comfortable Dismountable - Max. Load 1360 kg - Included Earthing Bar - Highest Flexibility



Network- / distribution cabinet with rear sided cable entry



Open rack variants for individual, modular assembly available

Common Specifications

- 19" Network-/server cabinet according to DIN41494
- Steel sheet housing with screwed frame, completely pre-assembled, self-ventilated, completely dismountable
- Inside front and rear 4 x 19" rails (2 front-, 2 rear-sided), galvanised, step-less depth-adjustable
- Contrariwise numbering of rack units at the 19" profiles
- Front door with window of certified safety glass (thickness 5 mm)
- Front door with 3-point bar-locking (up to 24U: 1-point latch) with turning handle, lockable, incl. profile half-cylinder acc. to DIN18252 / EN 1303
- Profile half-cylinder exchangeable by customer (30/10 mm)
- Rear door steel, 1-part, shortended, with 2 x latch locking (lock equal to door lock), 3U panel for cable entry below (cutout 690 x 67 mm)
- Door stop for front and rear door left- and right-sided possible
- Detachable side walls with 2 x latch locking (lock equal to door lock). For depth 1200 mm: 2 side walls per side (2 x 600 mm type)
- Cabinet stackable side-by-side with and without removal of side walls with screw set M6 (Art.-No. PRO-ANR01), additional clamp set (Art.-No. PRO-ANR02) suitable for additionally stabilising of the cabinet poles (use without side walls resp. with side walls with holes)
- Roof and bottom with up to 6 pre-punched openings for cable entry (450 x 90 mm), for 600 x 600 mm cable entry only rear-sided (see drawings at pages 18..21)
- Roof prepared for use of 4 x transport eyes M12
- All cabinet parts inside completely grounded
- Pre-assembled earthing bar rear-downside in the cabinet (for 600 x 600 mm: left-downside)
- Max. load 1000 kg (depths 600 / 800 mm) resp. 1360 kg (depths 1000 / 1200 mm for >24U)
- Paint finish RAL7035, light grey / RAL9005, jet black
- Protection degree IP20
- Included in delivery: 1 x brush, earthing set incl. earthing cables, 4 x leveling feet M12, 2 x key
- Delivery in transport packaging on disposable pallet

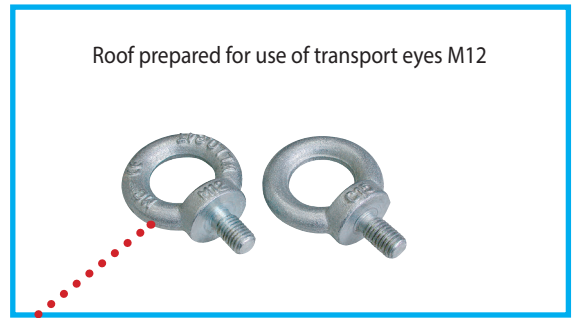


Art.-Nr.	PRO-4288GR.G1SV	Datei	PRO-xx.indd		
Beschreibung	19" Netzwerk-/Serverschränke PRO				
Erstellt	Datum	Letzte Revision	Datum	Geprüft	Datum
MN	21.03.2018	MN	21.11.2019	MN	21.11.2019

19" Network / Server Cabinets PRO - Highlights



Easy & fast dismantable:
only 4 screws each for roof and bottom



Roof prepared for use of transport eyes M12



Depth rails:
• step-less depth-adjustable
• positionable in any height & number

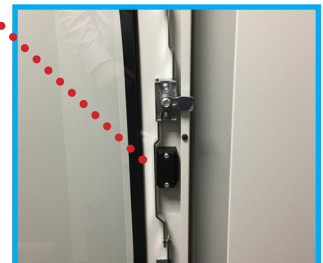


Door opening angle 180° due to external hinges

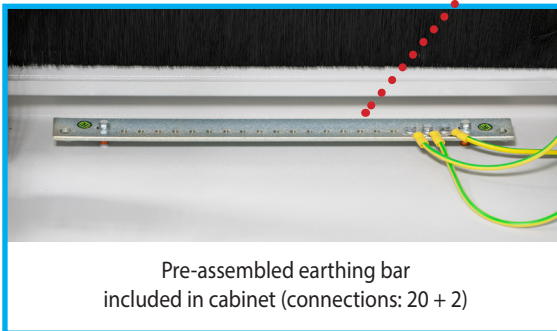
Door stop changeable l/r



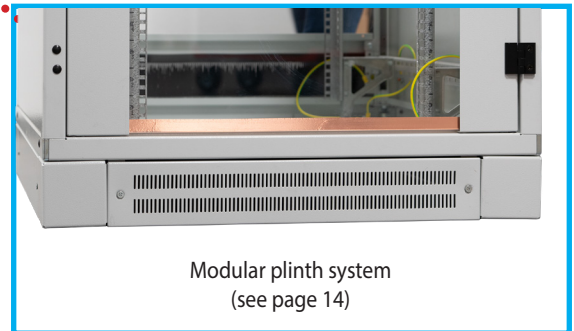
Standard rear door (steel) with 3U cable entry



3-point bar-locking for all door types > 24U (profile half-cylinder exchangeable)



Pre-assembled earthing bar included in cabinet (connections: 20 + 2)



Modular plinth system (see page 14)

Art.-Nr.	PRO-4288GR.G1SV	Datei	PRO-xx.indd		
Beschreibung	19" Netzwerk-/Serverschränke PRO				
Erstellt	Datum	Letzte Revision	Datum	Geprüft	Datum
MN	21.03.2018	MN	21.11.2019	MN	21.11.2019

19" Network-/Server Cabinets PRO - Details Cabinet Roof and Bottom

Centrally located and pre-punched opening for accommodation of fan units 380 x 380 mm.

Fan units are available as 2-fan and 4-fan variants. The thermostat is already mounted in the fan housing.

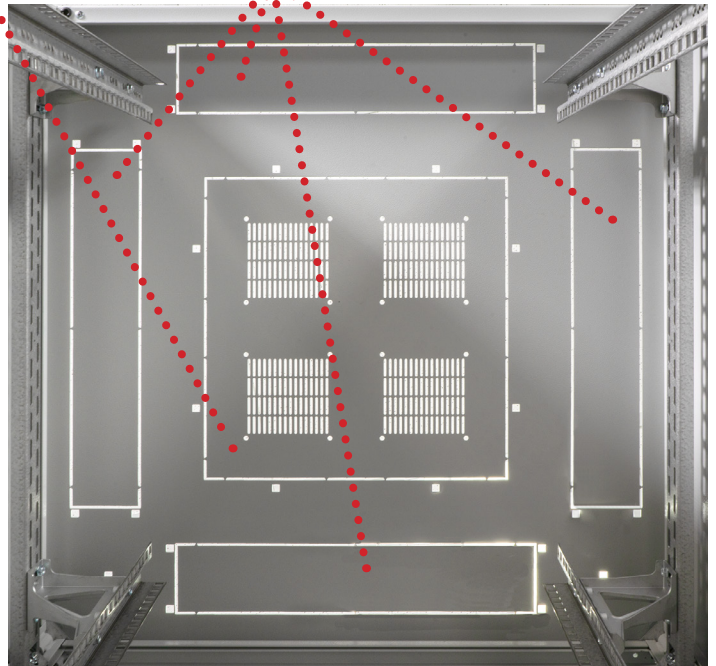


PRO-LFD02AT.GR

PRO-LFD04AT.GR

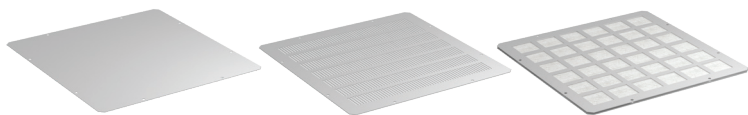
Cabinet roof in variant 800 x 800 mm with 4 surrounding, pre-punched cable entries (450 x 90 mm). On demand these are coverable with dummy plates 19" 2U.

(Depth 1200 mm: 6 surrounding cable entries, see drawings)



Pre-punched opening for filters / cable entries 380 x 380 mm. Diverse modules for filtering or cable entry are available.

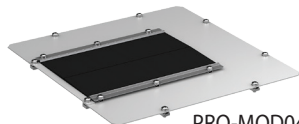
Cabinet bottom in 800 x 800 mm variant. Each PRO series cabinet is delivered with a pre-assembled earthing bar.



PRO-MOD01.GR
(Modul closed)

PRO-MOD02.GR
(Modul with perforation)

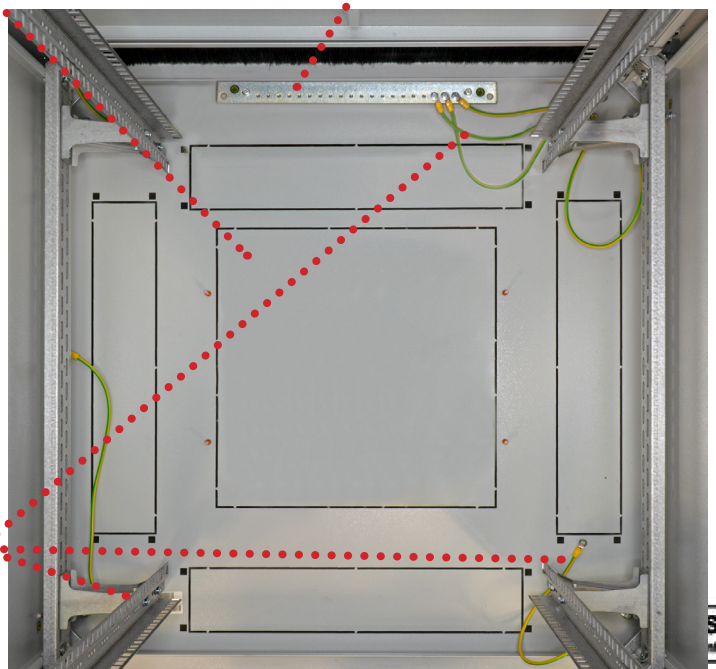
PRO-MOD03.GR
(Modul with filter mat)



PRO-MOD04.GR
(Modul with brush entry)



PRO-MOD05.GR
(Modul with foam entry)



All cabinet parts are internally grounded.

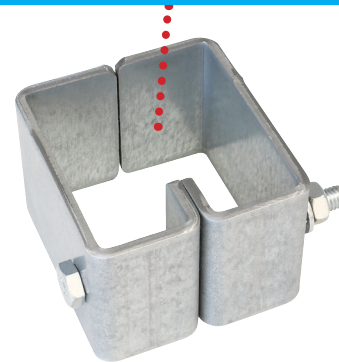
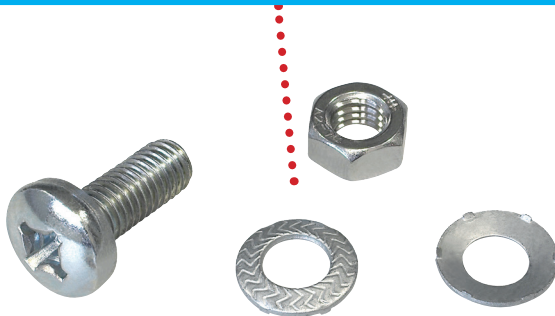
All earthing cables for doors and side wall are pre-assembled.

Art.-Nr.	PRO-428GR.G1SV	Datei	PRO-xx.indd		
Beschreibung	19" Netzwerk-/Serverschränke PRO				
Erstellt	Datum	Letzte Revision	Datum	Geprüft	Datum
MN	21.03.2018	MN	21.11.2019	MN	21.11.2019

19" Network-/Server Cabinets PRO - Line-Up / Baying / Stacking of Cabinets

In principle, PRO Cabinets are screwable one-to-another on the frame with the line-up set PRO-ANR01. One set consists of 4 x M8 screw, 4 x M8 nut, 8 x washer

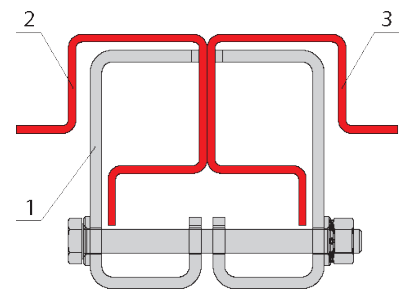
If the weight load of the cabinets is increased, the clamp connectors PRO-ANR02 also can be used. These cause a further stabilisation of the cabinet poles. 1 set contains 4 connectors.



Picture shows the use of both articles

2 - Line-up basic set (screws, nuts, washers)

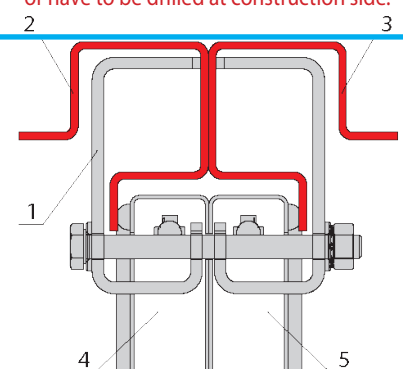
Use of clamp connector without side walls



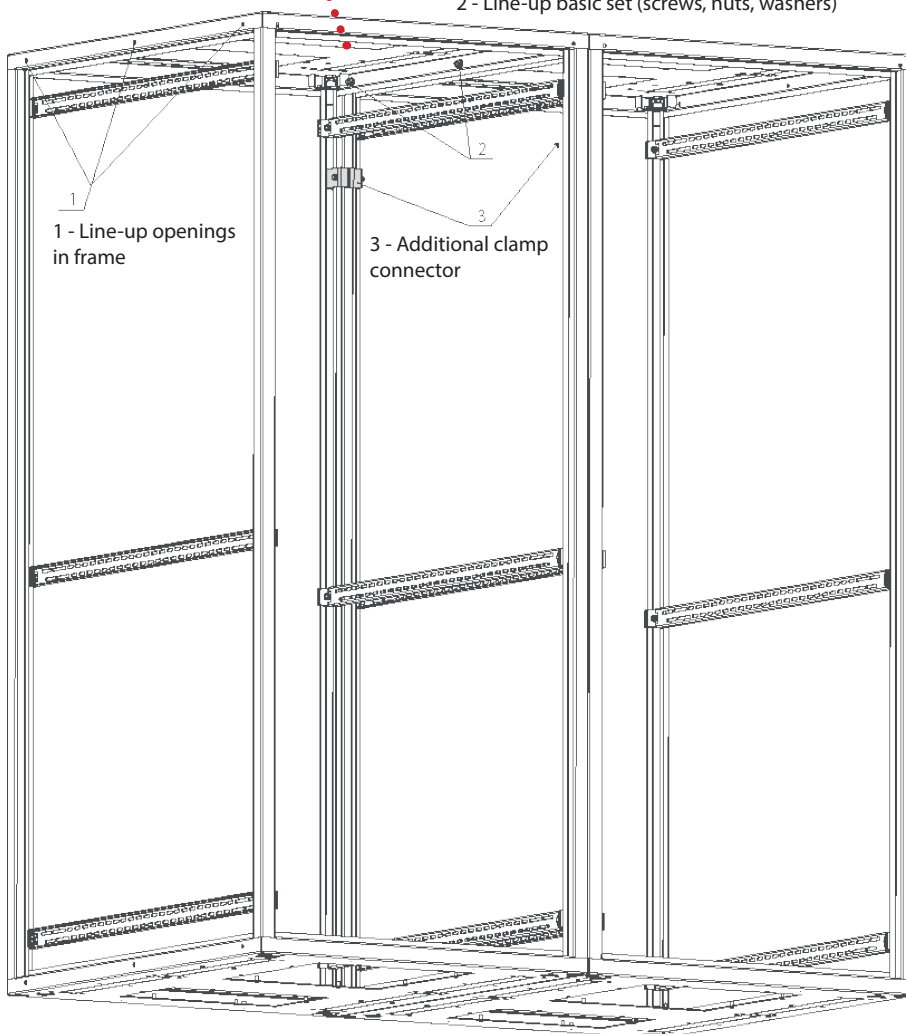
1 - Line-up openings in frame

3 - Additional clamp connector

Use of clamp connector with side walls
Note: Therefore, the walls must be ordered and with holes or have to be drilled at construction side.



- 1 - Clamp connector
- 2 - Pole of left cabinet
- 3 - Pole of right cabinet
- 4 - Side wall of left cabinet
- 5 - Side wall of right cabinet



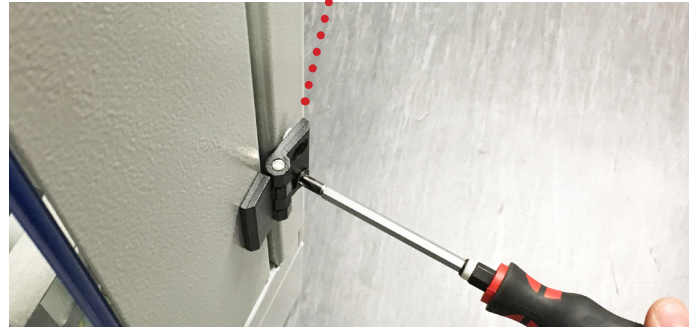
Art.-Nr.	PRO-4288GR.G1SV	Datei	PRO-xx.indd		
Beschreibung	19" Netzwerk-/Serverschränke PRO				
Erstellt	Datum	Letzte Revision	Datum	Geprüft	Datum
MN	21.03.2018	MN	21.11.2019	MN	21.11.2019

19" Network-/Server Cabinets PRO - Dismounting of the Rack Frame I

Before unmounting the cabinet roof all walls and doors shall be removed from the rack frame. Tip: first, remove only the lower screw of the upper hinge...

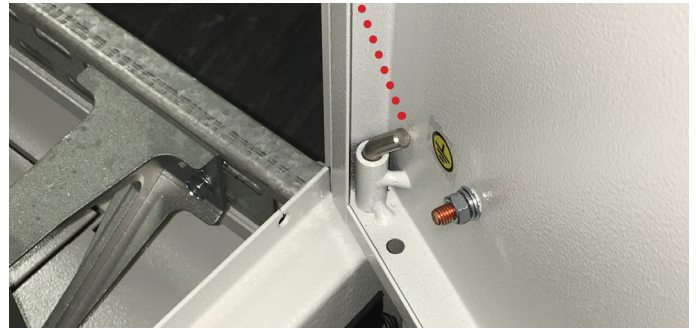
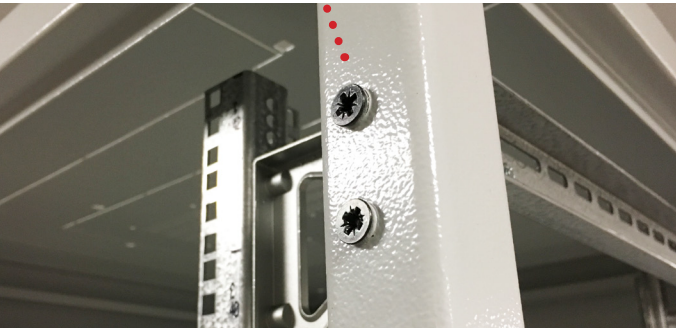


... after that remove both screws of the lower hinge. Finally, remove the remaining screw of the upper hinge.



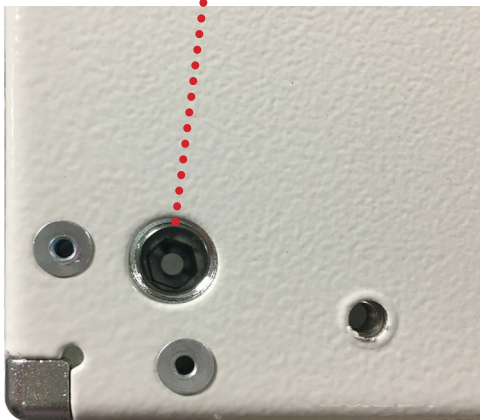
TIPP: „Storing“ the screws in the threads of the poles prevents their loss

To remove the rear door, only the lower hinge pin has to be pulled out of the sleeve. The upper pin stays like it is and is pulled out of the frame when the door is taken away.

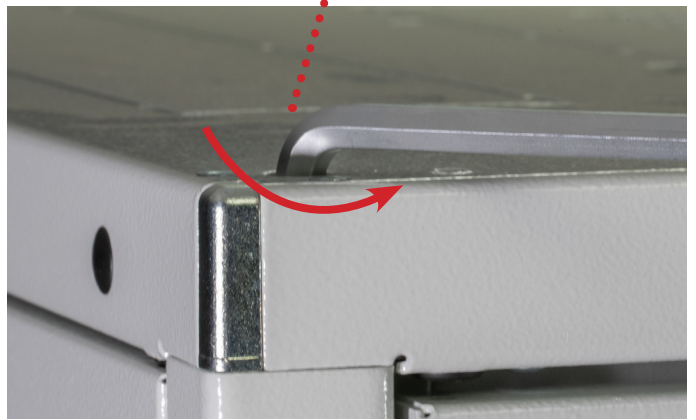


The cabinet frame of PRO series is dismantable extraordinary fast: An INBUS 8 screw is located inside of the M12 thread (for feet / transport eyes) at each cabinet corner

After loosening this 4 screws at the roof resp. bottom, the single parts are dismantable very comfortable and fast.



View from TOP to the cabinet roof with M12 thread and inner Allan captive screw (unloosable)

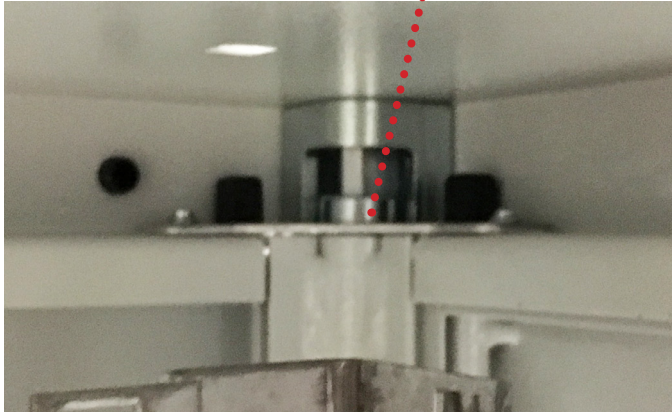


inserted Allen key (INBUS size 8)
Indicated direction of rotation: Loosen the screw

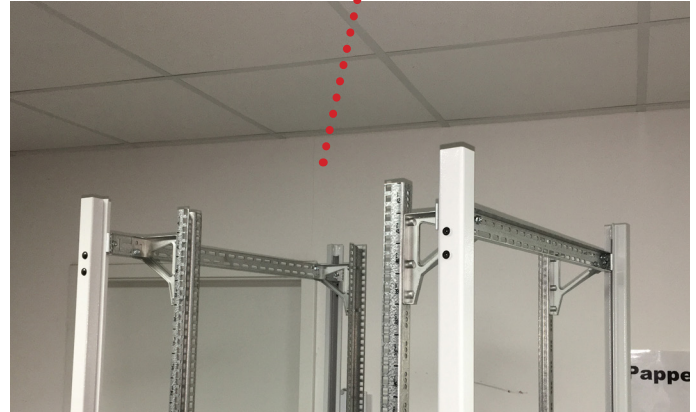
Art.-Nr.	PRO-4288GR.G1SV	Datei	PRO-xx.indd		
Beschreibung	19" Netzwerk-/Serverschränke PRO				
Erstellt	Datum	Letzte Revision	Datum	Geprüft	Datum
MN	21.03.2018	MN	21.11.2019	MN	21.11.2019

19" Network-/Server Cabinets PRO - Dismounting of the Rack Frame II

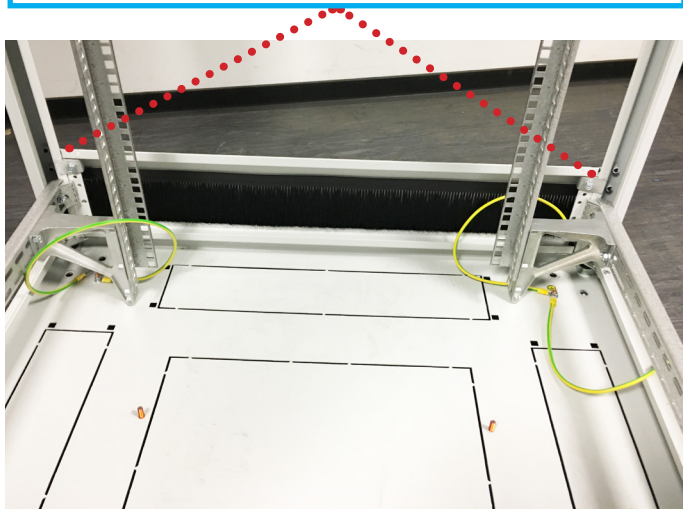
Unloosable: Due to the special construction of the corners, the screws for roof and bottom are captive and cannot get lost even if they are loosened.



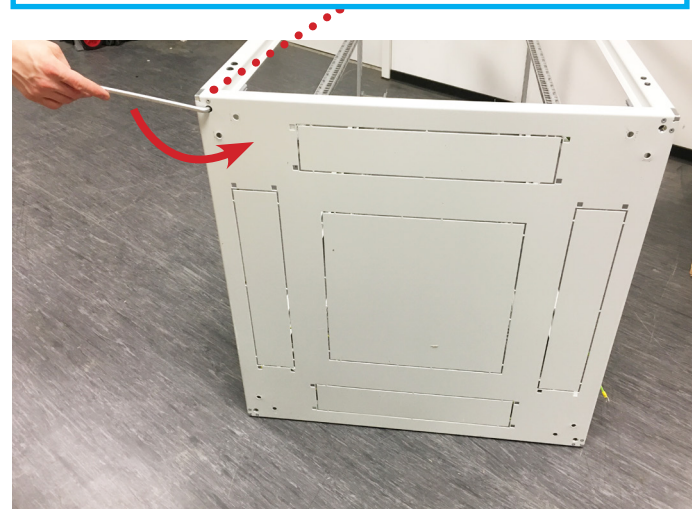
Now the cabinet roof can be lifted upwards and set aside.



Before loosening the cabinet bottom also the rear cable entry should be removed.
TIPP: also here, screws + brackets don't get lost if they stay mounted



To loosen the floor, the cabinet is placed on the front or back side.
Important: Do not place the cabinet on the side parts!
Removal of the bottom is done like at the roof.



Single frame parts in dismounted condition see next page !



Art.-Nr.	PRO-4288GR.G1SV	Datei	PRO-xx.indd		
Beschreibung	19" Netzwerk-/Serverschränke PRO				
Erstellt	Datum	Letzte Revision	Datum	Geprüft	Datum
MN	21.03.2018	MN	21.11.2019	MN	21.11.2019

19" Network-/Server Cabinets PRO - Dismounting of the Rack Frame III + Further Technical Data



Also in dismounted condition the rack frame is consisting of only 4 parts:

1 x cabinet root (upside left), 1 x cabinet bottom (upside) as well as
2 x side frame (2 poles incl. 2 depth rails, 4 cantilevers and
4 x 19" profiles)



Further Technical Data

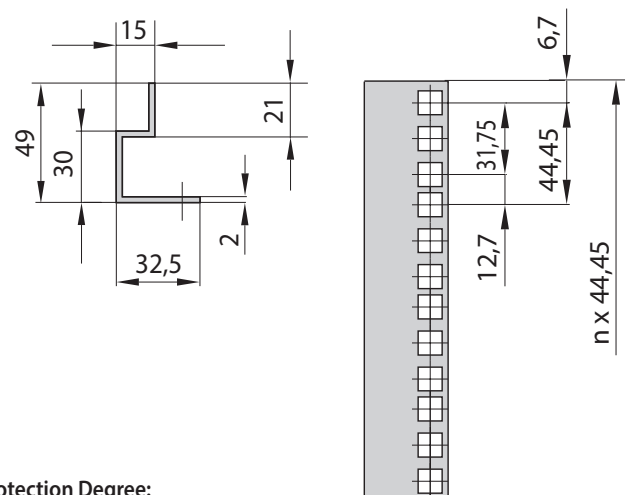
Max. Loads:

- 1000 kg: for cabinets with depth 600 mm or 800 mm in all common heights for installation on the floor, leveling feet or plinth
- 1000 kg: for cabinets with depth 1000 mm or 1200 mm in height 24U for installation on the floor, leveling feet or plinth
- 1360 kg: for cabinets with depth 1000 mm or 1200 mm in height >24U for installation on the floor, leveling feet or plinth

Materials:

- Rack, side walls, steel doors, profiles, depth rails: steel sheet
- Glass door: safety glass (uncoloured), steel sheet
- Outrigger: alu diecast
- Material thickness:
 - Cabinet poles (frame): 2 mm
 - Roof- / bottom unit: 2 mm
 - Side walls: 1 mm
 - 19" Profile rails: 2 mm
 - Glass door (steel parts): 1.25 mm / Glass 5 mm (cert. safety glass)
 - Steel door + Steel door, perforated: 1.5 mm
 - Steel door, shortened (rear door): 1 mm
 - 3U Panel with brush entry: 1.5 mm
 - Modules with filters, cable entries etc.: 0.8 mm

Technical Drawing 19" Profile Rails:



Protection Degree:

- IP20 according to EN60529

Surface treatment:

- Rack, side walls, doors: powder coated RAL7035 (light grey) resp. RAL9005 (jet black)
- Profile rails, depth-rails: galvanised



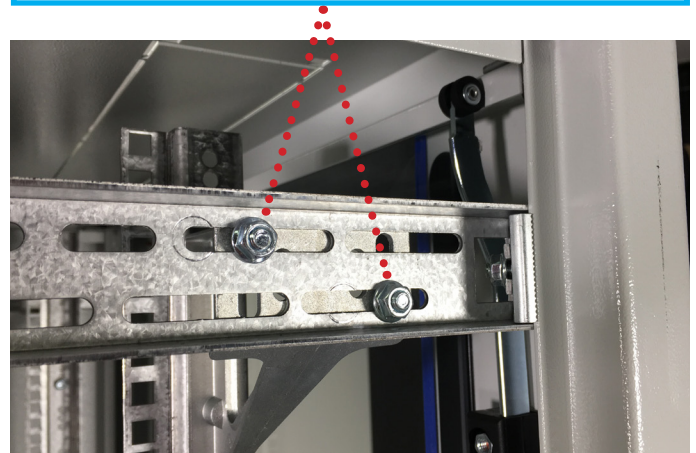
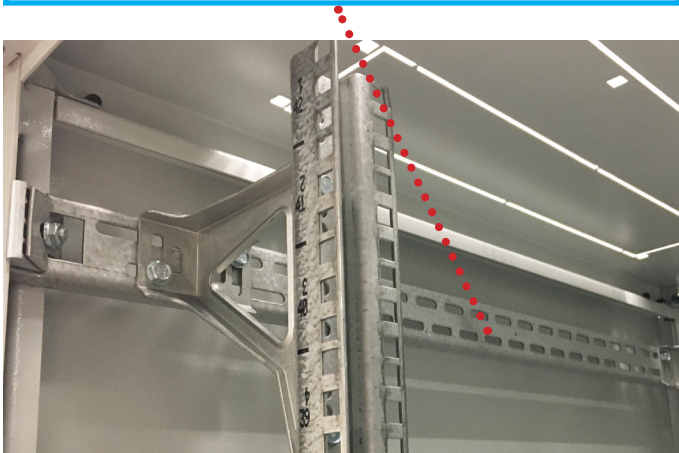
Art.-Nr.	PRO-4288GR.G1SV	Datei	PRO-xx.indd		
Beschreibung	19" Netzwerk-/Serverschränke PRO				
Erstellt	Datum	Letzte Revision	Datum	Geprüft	Datum
MN	21.03.2018	MN	21.11.2019	MN	21.11.2019

19" Network-/Server Cabinets PRO - Depth-Adjustment of the 19" Levels

Mounting Depth Front - Front („Rack Depth“) Cabinet Series PRO				
For Cabinet Depth	600 mm	800 mm	1000 mm	1200 mm
Distance of the 19" levels in delivery condition	404 mm	604 mm	804 mm	1004 mm
Distance of the 19" levels to the door in delivery condition	ca. 100 mm	ca. 100 mm	ca. 100 mm	ca. 100 mm
Distance of the 19" levels maximum (at max. adjustment to outside)	480 mm	680 mm	880 mm	1080 mm
Distance of the 19" levels to the door (at max. adjustment to outside)	ca. 60 mm	ca. 60 mm	ca. 60 mm	ca. 60 mm

Due to the special perforation of the depth rails, the 19" profiles are stepless depth-adjustable and allow the installation of devices with individual installation depths (e.g. servers)

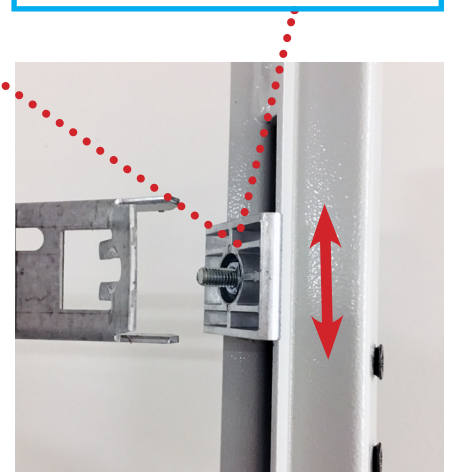
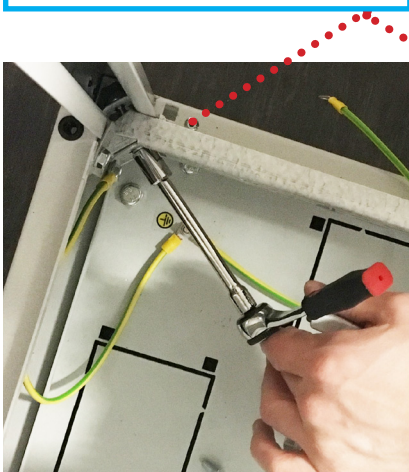
For adjustment of the 19" mounting depth, loosen the two screws M6 at the upper and lower outrigger. Long-holes at the depth rails allow a fine-adjustment without completely loosening the screws/nuts.



Unmounting / remounting of the clamp fixation at the frame is possible extremely fast. This also is done with a screw M6 (key-width 10 mm).

After removal of the depth rail, a further M6 nut becomes visible. This serves to fix the clamp fastener on the pole.

The clamp fastener can be easily moved on the pole after loosening the other, inner M6 nut to adjust the height of the depth rail.



Art.-Nr.	PRO-4288GR.G1SV	Datei	PRO-xx.indd		
Beschreibung	19" Netzwerk-/Serverschränke PRO				
Erstellt	Datum	Letzte Revision	Datum	Geprüft	Datum
MN	21.03.2018	MN	21.11.2019	MN	21.11.2019

19" Network-/Server Cabinets PRO - Network-/Distribution Cabinet Variants



Network cabinet 42U, width 600 mm x depth 800 mm
Front door glass 1-part, 3-point bar-locking / rear door steel 1-part, 2 x latch

Network cabinet 42U, width 800 mm x depth 800 mm
Front door glass 1-part, 3-point bar-locking / rear door steel 1-part, 2 x latch

Common Characteristics of Network-/Distribution Cabinets:

- Front door glass, 1-part with turning handle and 3-point bar-locking (> 24U), profile half-cylinder exchangeable / rear door steel, 1-part with 2 x latch locking
- 4 x 19" profile rails, max. load 1000 kg, pre-assembled earthing bar in the cabinet
- Paint finish RAL7035, light grey (RAL9005, jet black available on request)

Ordering Data

Art.-No.	Width	Depth	Front Door	Rear Door	Colour	Weight
18U / Cabinet height 896 mm						
PRO-1866GR.G1SV	600 mm	600 mm	Glass door 1-part	Steel door 2 x latch	RAL7035, light grey	
PRO-1868GR.G1SV	600 mm	800 mm	Glass door 1-part	Steel door 2 x latch	RAL7035, light grey	
PRO-1888GR.G1SV	800 mm	800 mm	Glass door 1-part	Steel door 2 x latch	RAL7035, light grey	
24U / Cabinet height 1163 mm						
PRO-2466GR.G1SV	600 mm	600 mm	Glass door 1-part	Steel door 2 x latch	RAL7035, light grey	
PRO-2468GR.G1SV	600 mm	800 mm	Glass door 1-part	Steel door 2 x latch	RAL7035, light grey	
PRO-2488GR.G1SV	800 mm	800 mm	Glass door 1-part	Steel door 2 x latch	RAL7035, light grey	
33U / Cabinet height 1563 mm						
PRO-3366GR.G1SV	600 mm	600 mm	Glass door 1-part	Steel door 2 x latch	RAL7035, light grey	
PRO-3368GR.G1SV	600 mm	800 mm	Glass door 1-part	Steel door 2 x latch	RAL7035, light grey	
PRO-3388GR.G1SV	800 mm	800 mm	Glass door 1-part	Steel door 2 x latch	RAL7035, light grey	
42U / Cabinet height 1963 mm						
PRO-4266GR.G1SV	600 mm	600 mm	Glass door 1-part	Steel door 2 x latch	RAL7035, light grey	
PRO-4268GR.G1SV	600 mm	800 mm	Glass door 1-part	Steel door 2 x latch	RAL7035, light grey	
PRO-4260GR.G1SV	600 mm	1000 mm	Glass door 1-part	Steel door 2 x latch	RAL7035, light grey	
PRO-4286GR.G1SV	800 mm	600 mm	Glass door 1-part	Steel door 2 x latch	RAL7035, light grey	
PRO-4288GR.G1SV	800 mm	800 mm	Glass door 1-part	Steel door 2 x latch	RAL7035, light grey	
PRO-4280GR.G1SV	800 mm	1000 mm	Glass door 1-part	Steel door 2 x latch	RAL7035, light grey	
PRO-4282GR.G1SV	800 mm	1200 mm	Glass door 1-part	Steel door 2 x latch	RAL7035, light grey	
47U / Cabinet height 2186 mm						
PRO-4768GR.G1SV	600 mm	800 mm	Glass door 1-part	Steel door 2 x latch	RAL7035, light grey	
PRO-4788GR.G1SV	800 mm	800 mm	Glass door 1-part	Steel door 2 x latch	RAL7035, light grey	
PRO-4780GR.G1SV	800 mm	1000 mm	Glass door 1-part	Steel door 2 x latch	RAL7035, light grey	
PRO-4782GR.G1SV	800 mm	1200 mm	Glass door 1-part	Steel door 2 x latch	RAL7035, light grey	



Art.-Nr.	PRO-4288GR.G1SV	Datei	PRO-xx.indd		
Beschreibung	19" Netzwerk-/Serverschränke PRO				
Erstellt	Datum	Letzte Revision	Datum	Geprüft	Datum
MN	21.03.2018	MN	21.11.2019	MN	21.11.2019

19" Network-/Server Cabinets PRO - Ordering Data for Server Cabinet Variants



Server cabinet 42U, width 600 mm x depth 1000 mm
Front- and rear door steel, perforated, 1-part with turning handle



Server cabinet 42U, width 800 mm x depth 1200 mm
Front- and rear door steel, perforated, 1-part with turning handle

Common Characteristics of Server Cabinet:

- Front and rear door steel, perforated (80 %), 1-part or 2-part with turning handle and 3-point bar locking, profile half-cylinder exchangeable
- 4 x 19" profile rails, max. load 1000 kg (> 24U), pre-assembled earthing bar in cabinet
- All variants available in RAL7035, light grey / RAL9005, jet black

Ordering Data

Art.-No.	Width	Depth	Front Door	Rear Door	Colour	Weight
42U / Cabinet Height 1963 mm						
PRO-4260TS.P1	600 mm	1000 mm	Steel, perforated, 1-part	Steel, perforated, 1-part	RAL9005, jet black	
PRO-4262TS.P1	600 mm	1200 mm	Steel, perforated, 1-part	Steel, perforated, 1-part	RAL9005, jet black	
PRO-4288TS.P1	800 mm	800 mm	Steel, perforated, 1-part	Steel, perforated, 1-part	RAL9005, jet black	
PRO-4288TS.P1	800 mm	800 mm	Steel, perforated, 1-part	Steel, perforated, 1-part	RAL9005, jet black	
PRO-4280TS.P1	800 mm	1000 mm	Steel, perforated, 1-part	Steel, perforated, 1-part	RAL9005, jet black	
PRO-4280TS.P2	800 mm	1000 mm	Steel, perforated, 2-part	Steel, perforated, 2-part	RAL9005, jet black	
PRO-4282TS.P1	800 mm	1200 mm	Steel, perforated, 1-part	Steel, perforated, 1-part	RAL9005, jet black	
PRO-4282TS.P1P2	800 mm	1200 mm	Steel, perforated, 1-part	Steel, perforated, 2-part	RAL9005, jet black	
PRO-4282TS.P2	800 mm	1200 mm	Steel, perforated, 2-part	Steel, perforated, 2-part	RAL9005, jet black	
47U / Cabinet Height 2186 mm						
PRO-4780TS.P1	800 mm	1000 mm	Steel, perforated, 1-part	Steel, perforated, 1-part	RAL9005, jet black	
PRO-4780TS.P1P2	800 mm	1000 mm	Steel, perforated, 1-part	Steel, perforated, 2-part	RAL9005, jet black	
PRO-4780TS.P2	800 mm	1000 mm	Steel, perforated, 2-part	Steel, perforated, 2-part	RAL9005, jet black	
PRO-4782TS.P1	800 mm	1200 mm	Steel, perforated, 1-part	Steel, perforated, 1-part	RAL9005, jet black	
PRO-4782TS.P1P2	800 mm	1200 mm	Steel, perforated, 1-part	Steel, perforated, 2-part	RAL9005, jet black	
PRO-4782TS.P2	800 mm	1200 mm	Steel, perforated, 2-part	Steel, perforated, 2-part	RAL9005, jet black	



Art.-Nr.	PRO-4288GR.G1SV	Datei	PRO-xx.indd		
Beschreibung	19" Netzwerk-/Serverschränke PRO				
Erstellt	Datum	Letzte Revision	Datum	Geprüft	Datum
MN	21.03.2018	MN	21.11.2019	MN	21.11.2019

19" Network/Server Cabinets PRO - Ordering Data for Open Rack Frames



Rack frame 42U, width 800 mm x depth 800 mm
Without doors and side wall, front view with and without plinth



Rack frame 42U, width 800 mm x depth 800 mm
Without doors and side wall, front view with and without plinth

Common Characteristics of Rack Frames / Open Racks:

- Doors and side walls individually selectable
- 4 x 19" profile rails, max. load 1000 kg / 1360 kg, pre-assembled earthing bar in cabinet
- Alle variants available in RAL7035, light grey / RAL9005, jet black

Ordering Data

Art.-No.	Width	Depth	Front Door	Rear Door	Colour	Weight
42U / Cabinet Height 1963 mm						
PRO-4266GR.0D	600 mm	600 mm	without	without	RAL7035, light grey	
PRO-4268GR.0D	600 mm	800 mm	without	without	RAL7035, light grey	
PRO-4260GR.0D	600 mm	1000 mm	without	without	RAL7035, light grey	
PRO-4262GR.0D	600 mm	1200 mm	without	without	RAL7035, light grey	
PRO-4286GR.0D	800 mm	600 mm	without	without	RAL7035, light grey	
PRO-4288GR.0D	800 mm	800 mm	without	without	RAL7035, light grey	
PRO-4280GR.0D	800 mm	1000 mm	without	without	RAL7035, light grey	
PRO-4282GR.0D	800 mm	1200 mm	without	without	RAL7035, light grey	
47U / Cabinet Height 2186 mm						
PRO-4780GR.0D	800 mm	1000 mm	without	without	RAL7035, light grey	
PRO-4782GR.0D	800 mm	1200 mm	without	without	RAL7035, light grey	

Variants of Cabinet Series PRO are easy to configure via article number:

Prefix	U	Cabinet Width	Cabinet Depth	Colour	Door Type	Options
PRO-	42	8	8	GR	.G1SV	OS = without side walls
	47	6 = 600 mm	6 = 600 mm	TS = RAL9005, jet black	.G1 = Glass door 1-part	
	42	8 = 800 mm	8 = 800 mm	GR = RAL7035, light grey	.S1 = Steel door 1-part / S2 = Steel door 2-teilig	
	33		0 = 1000 mm		.P1 = Steel door, perf., 1-part / P2 = Steel door, perf., 2-part	
	24		2 = 1200 mm		.SV = Steel door 1-part, 2 x latch (=standard rear door)	
	18				.RW = Rear wall	
					.OD = unequipped rack with roof („Open Rack“)	

The first + second digit after the point define the front door, the third and fourth digit define the rear door (resp. -wall).
For only one specification front and rear door are identically.



Art.-Nr.	PRO-4288GR.G1SV	Datei	PRO-xx.indd		
Beschreibung	19" Netzwerk-/Serverschränke PRO				
Erstellt	Datum	Letzte Revision	Datum	Geprüft	Datum
MN	21.03.2018	MN	21.11.2019	MN	21.11.2019

19" Network-/Server Cabinets PRO - Doors and Side Walls



All Doors of Cabinet Series PRO (except of standard rear door) have the following common specifications:

- 33 .. 47U: 3-point bar-locking, profile half-cylinder exchangeable 30/10 mm (DIN18252 / EN1303)
- 18 .. 24U: 1-point latch-locking, profile half-cylinder exchangeable 30/10 mm (DIN18252 / EN1303)
- Door opening angle 180°, door stop changeable left/right, prepared mounting openings in rack frame
- All variants available in paint finish RAL7035, light grey / RAL9005, jet black

Doors and Side Walls of Cabinet series PRO are easy to configure via article number:

Prefix	Type	U	Cabinet Width	Description	Colour
PRO-	TUR	42	8	G1	.GR
	TUR = Door	47	6 = 600 mm	G1 = Glass door 1-part	.GR = RAL7035, light grey
		42	8 = 800 mm	S1 = Steel door 1-part / S2 = Steel door 2-part	
		33		P1 = Steel door, perf., 1-part / P2 = Steel door, perf., 2-part	.TS = RAL9005, jet black
		24		SV = Steel door 1-part, 2 x latch (=standard rear door)	
		18			

Prefix	Type	U	Cabinet Depth	Description	Colour
PRO-	W	42	8	E	.GR
	W = Side wall	47	6 = 600 mm	E = 1-Part	.GR = RAL7035, light grey
		42	8 = 800 mm	Z = 2-Part	
		33			.TS = RAL9005, jet black
		24			
		18			

Side walls for cabinet depths 600 mm , 800 mm and 1000 mm consist of one part.
Side walls for cabinet depth 1200 mm consist of 2 parts of 600 mm each.



Art.-Nr.	PRO-4288GR.G1SV	Datei	PRO-xx.indd		
Beschreibung	19" Netzwerk-/Serverschränke PRO				
Erstellt	Datum	Letzte Revision	Datum	Geprüft	Datum
MN	21.03.2018	MN	21.11.2019	MN	21.11.2019

19" Network/Serverschränke PRO - Modular Plinth System: The Easy Way to the Required Plinth

Step 1: Choose Plinth Corners

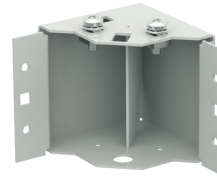


Art.-No. PRO-SOE100N.xx

- Plinth corners in height 100 mm or 200 mm
- Height adjustable (levelable)
- 4 pieces in set



Art.-No. PRO-SOE200N.xx



Art.-No. PRO-SOE100F.xx

- Plinth corners in height 100 mm or 200 mm
- Fixed height
- Suitable for fixing at the floor (e.g. dowel)
- Suitable for vibration protection
- 4 pieces in set



Art.-No. PRO-SOE200F.xx

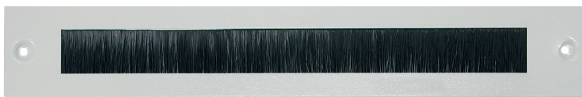
Step 2: Choose Side-Covers



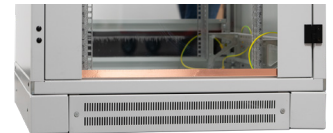
Plinth cover full (closed)



Plinth cover perforated



Plinth cover with brush



- Plinth covers are universally suitable for covering all sides of the plinth
- Plinth height 100 mm: 4 covers per plinth (with tilt protection: 3 corners)
200 mm: 8 covers per plinth (2 over each other)
- For use of tilt protection the front cover is omitted
- Mounting accessories included in delivers (screws, sleeves, etc.)

Art.-No. PRO-SOBxxV.GR - Plinth corner full (closed)

Art.-No. PRO-SOBxxP.GR - Plinth corner perforated

Art.-No. PRO-SOBxxB.GR - Plinth corner with brush

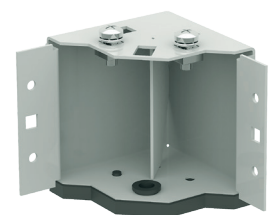
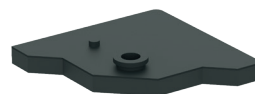
xx = (06 / 08 / 10 / 12 for 600 / 800 / 1000 / 1200 mm)

Step 3: Choose Further Accessories



- Slidable tilt protection for use with plinth corners
- Consisting of support frame and 2 guide rails
- The front plinth panel is omitted: plinth 100 mm - 3 covers required
plinth 200 mm - 7 covers required

Art.-No. PRO-KISxx.GR (xx = 06 / 08 for plinth width 600 mm / 800 mm)



- Vibration protection for use with plinth corners in fixed height
- It is recommended to additionally fix the plinth at the floor (e.g. with dowels)
- Set of 4 pieces

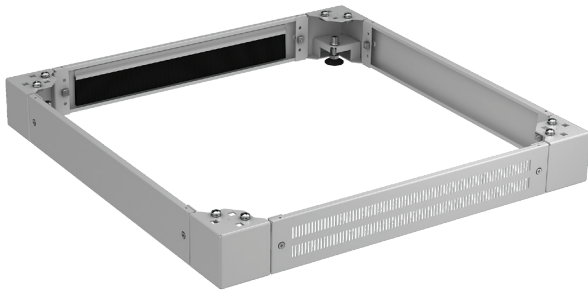
Art.-No. PRO-VIB01



Art.-Nr.	PRO-4288GR.G1SV	Datei	PRO-xx.indd		
Beschreibung	19" Netzwerk-/Serverschränke PRO				
Erstellt	Datum	Letzte Revision	Datum	Geprüft	Datum
MN	21.03.2018	MN	21.11.2019	MN	21.11.2019

19" Network-/Server Cabinets PRO - Modular Plinth System - Example Configuration

Example 1: plinth 800 x 800 mm, height 100 mm, levelable, front perforated, rear-sided cable entry with brush



- Plinth 800 x 800 mm, plinth height 100 mm, plinth corners levelable
- Front side perforated, rear-side with brush, left + right side closed
- Consisting of the following components:

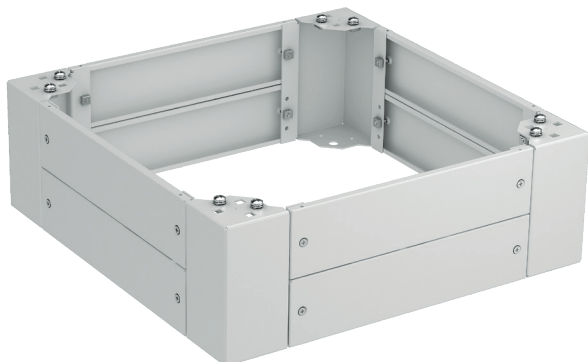
Description	Art.-No.	Qty
Plinth corner 100 mm, levelable	PRO-SOE100N.GR	4
Plinth cover, perforated	PRO-SOB08P.GR	1
Plinth cover, closed (full)	PRO-SOB08V.GR	2
Plinth cover, with brush	PRO-SOB08B.GR	1

- This plinth type is available as complete set with one Art.-No.:

RAL7035, Light Grey	Width 600 mm	Width 800 mm
Plinth 600 x 600 mm	PRO-SOK66PB.GR	PRO-SOK86PB.GR
Plinth 600 x 800 mm	PRO-SOK68PB.GR	PRO-SOK88PB.GR
Plinth 600 x 1000 mm	PRO-SOK60PB.GR	PRO-SOK80PB.GR
Plinth 600 x 1200 mm	PRO-SOK62PB.GR	PRO-SOK82PB.GR

RAL9005, Jet Black	Width 600 mm	Width 800 mm
Plinth 600 x 600 mm	PRO-SOK66PB.TS	PRO-SOK86PB.TS
Plinth 600 x 800 mm	PRO-SOK68PB.TS	PRO-SOK88PB.TS
Plinth 600 x 1000 mm	PRO-SOK60PB.TS	PRO-SOK80PB.TS
Plinth 600 x 1200 mm	PRO-SOK62PB.TS	PRO-SOK82PB.TS

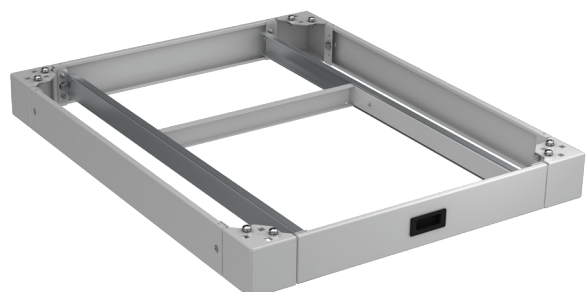
Example 2: plinth 600 x 600 mm, height 200 mm, all-sided closed



- Plinth 600 x 600 mm, plinth height 200 mm
- Plinth corners in fixed height
- All sides closed
- Consisting of the following components:

Description	Art.-No.	Qty
Plinth corner 200 mm, fix	PRO-SOE200F.GR	4
Plinth cover, closed (full)	PRO-SOB06V.GR	8

Example 3: plinth 800 x 1000 mm, 100 mm, with tilt protection



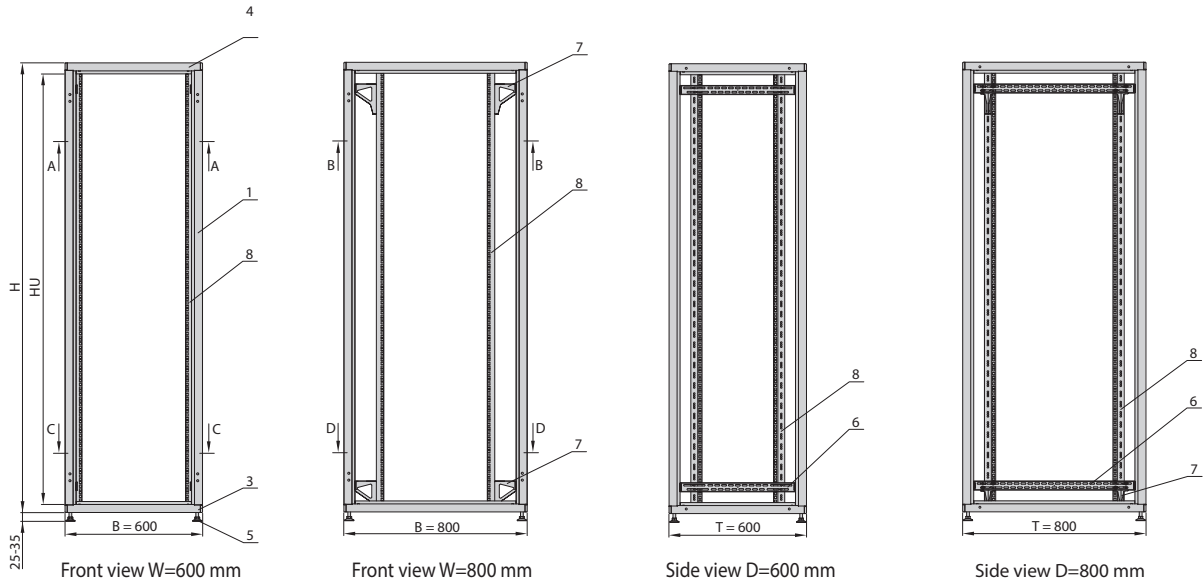
- Plinth 800 x 1000 mm, plinth height 100 mm
- Plinth corners in fixed height
- All sides closed
- Consisting of the following components:

Description	Art.-No.	Qty
Plinth corner 100 mm, fix	PRO-SOE100F.GR	4
Plinth cover, closed (full)	PRO-SOB06V.GR	3
Tilt protection, sliding	PRO-KIS80.GR	1

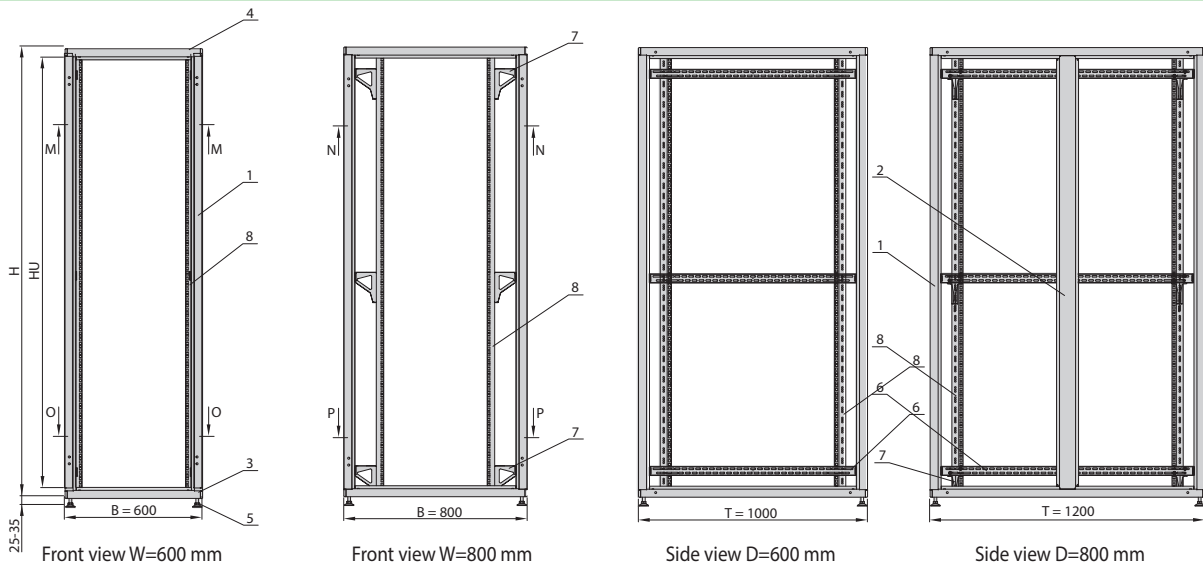


Art.-Nr.	PRO-4288GR.G1SV	Datei	PRO-xx.indd		
Beschreibung	19" Netzwerk-/Serverschränke PRO				
Erstellt	Datum	Letzte Revision	Datum	Geprüft	Datum
MN	21.03.2018	MN	21.11.2019	MN	21.11.2019

19" Network-/Server Cabinet PRO - Drawing of Network / Distribution Cabinet Frames



19" Network/Server Cabinet PRO - Drawing of Server Cabinet Frames



Description of single components

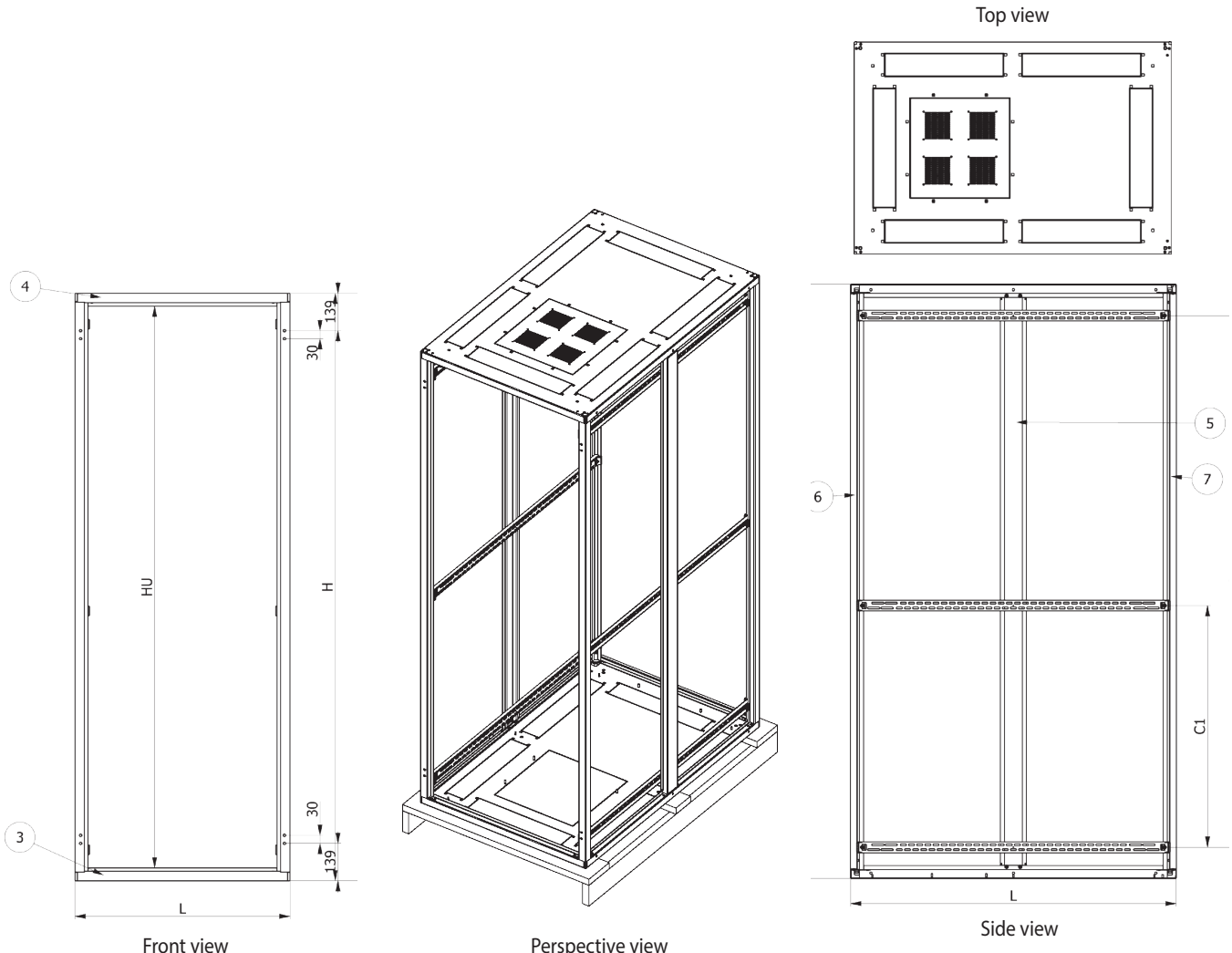
- 1 - Outer frame profiles
- 3 - Cabinet bottom
- 4 - Cabinet roof
- 5 - Leveling feet
- 6 - Depth rail
- 7 - Outrigger
- 8 - 19" Profile rails
- 9 - Earthing bar
- 10 - Cutout 380 x 380 mm, pre-punched (fan / filter)
- 11 - Cutout 450 x 90 mm, pre-punched (cable entry)



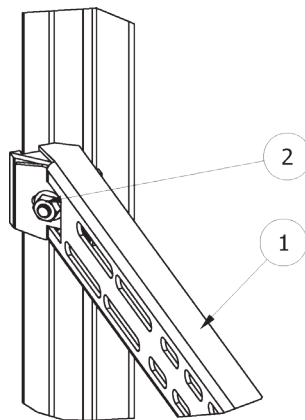
Art.-Nr.	PRO-428GR.G1SV	Datei	PRO-xx.indd		
Beschreibung	19" Netzwerk-/Serverschränke PRO				
Erstellt	Datum	Letzte Revision	Datum	Geprüft	Datum
MN	21.03.2018	MN	21.11.2019	MN	21.11.2019

19" Netzwerk-/Serverschränke PRO

Technical Drawing Rack Frame 47u 800 mm x 1200 mm



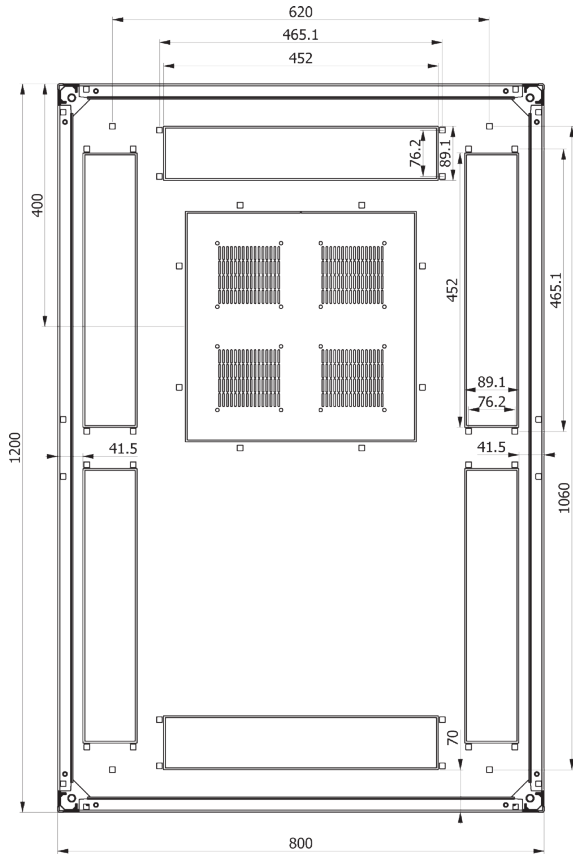
No.	Description	Qty
7	Outer rack profile L=2120	2
6	Outer rack profile L=2120	2
5	Innerer rack profile (only for D=1200 mm)	2
4	Roof sheet 800 x 1200 mm	1
3	Bottom sheet 800 x 1200 mm	1
2	Nut M6 x 8 with flange	12
1	Depth rail L=1149	6



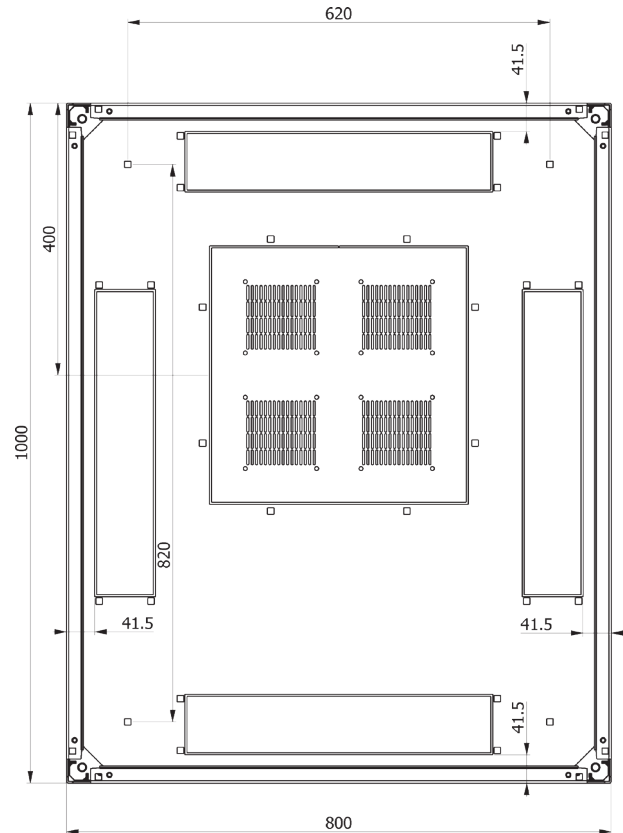
Art.-Nr.	PRO-4288GR.G1SV	Datei	PRO-xx.indd		
Beschreibung	19" Netzwerk-/Serverschränke PRO				
Erstellt	Datum	Letzte Revision	Datum	Geprüft	Datum
MN	21.03.2018	MN	21.11.2019	MN	21.11.2019

19" Network-/Server Cabinets PRO - Technical Drawings Cabinet Roof in Width = 800 mm

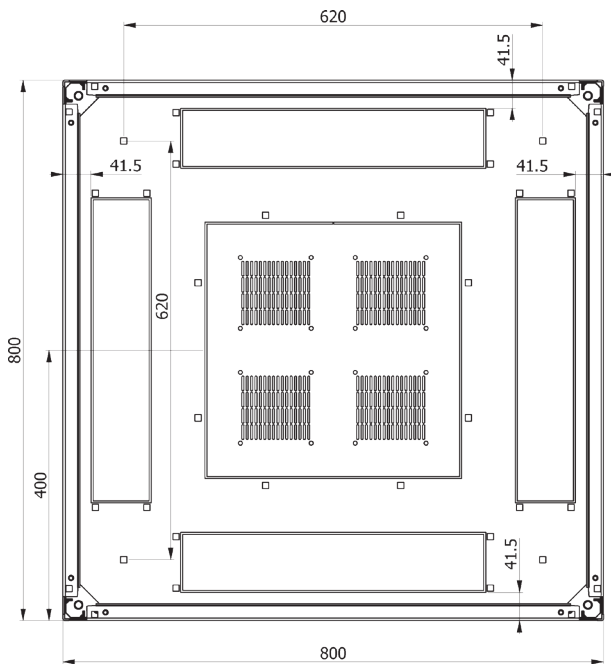
Cabinet roof 800 mm x 1200 mm



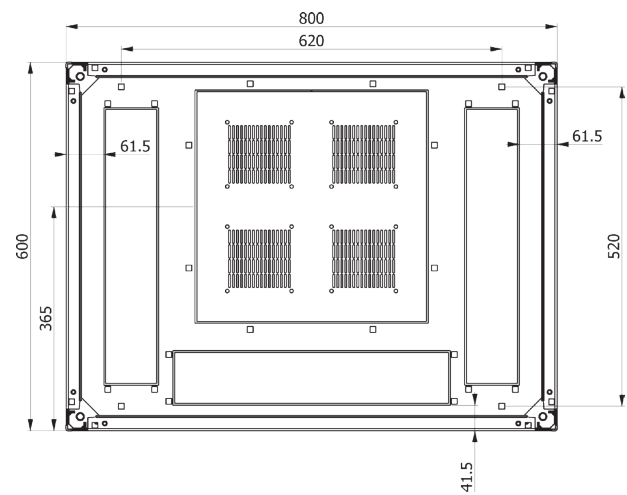
Cabinet roof 800 mm x 1000 mm



Cabinet roof 800 mm x 800 mm



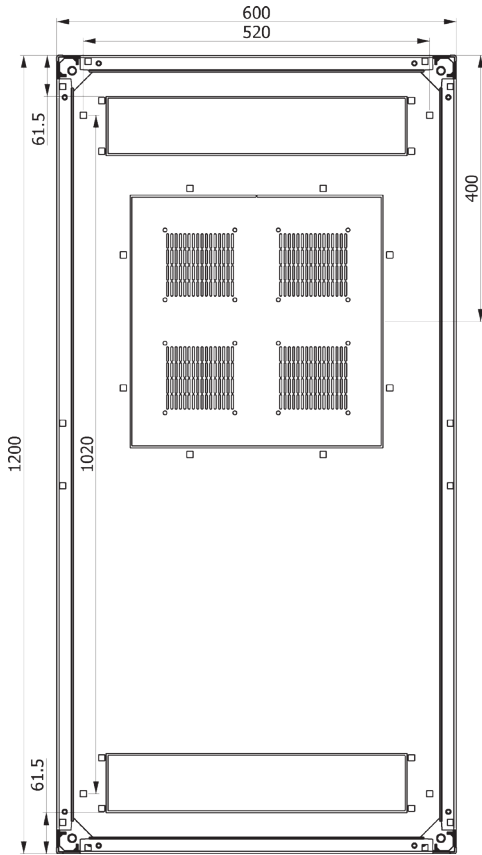
Cabinet roof 800 mm x 600 mm



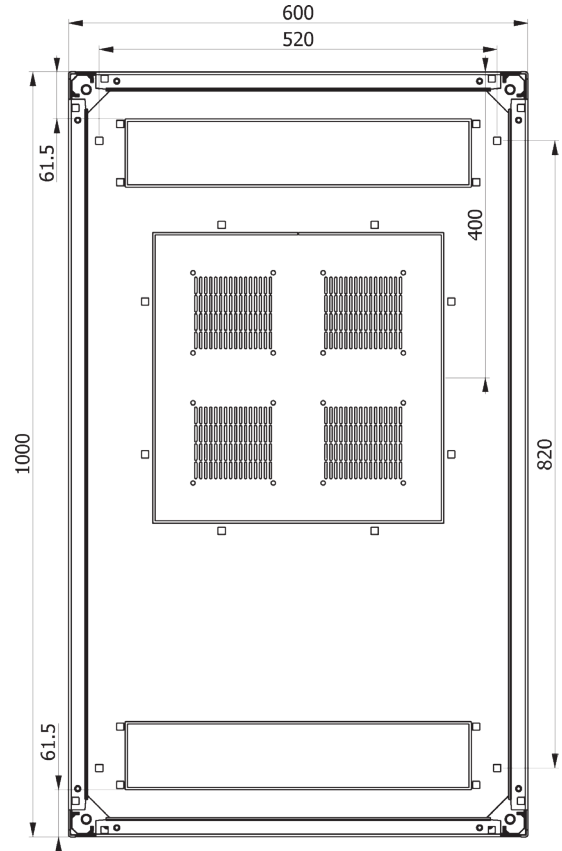
Art.-Nr.	PRO-4288GR.G1SV	Datei	PRO-xx.indd		
Beschreibung	19" Netzwerk-/Serverschränke PRO				
Erstellt	Datum	Letzte Revision	Datum	Geprüft	Datum
MN	21.03.2018	MN	21.11.2019	MN	21.11.2019

19" Network-/Server Cabinets PRO - Technical Drawings Cabinet Roof in Width = 600 mm

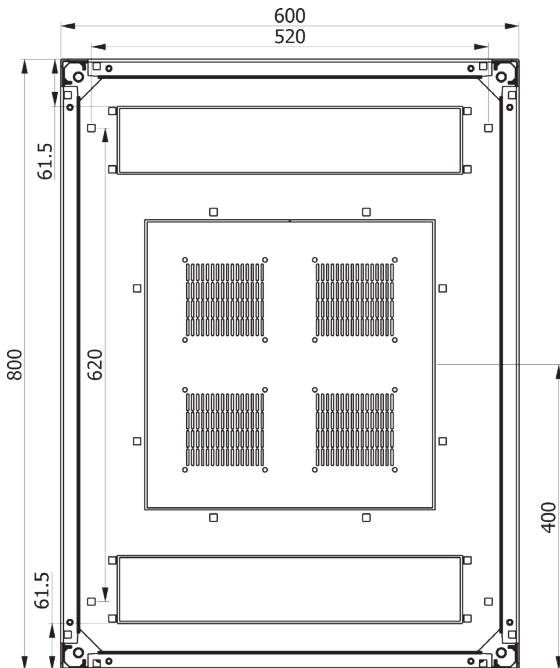
Cabinet roof 600 mm x 1200 mm



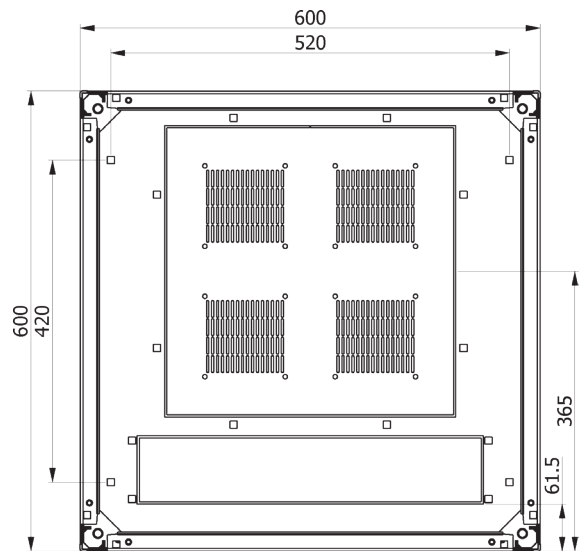
Cabinet roof 600 mm x 1000 mm



Cabinet roof 600 mm x 800 mm



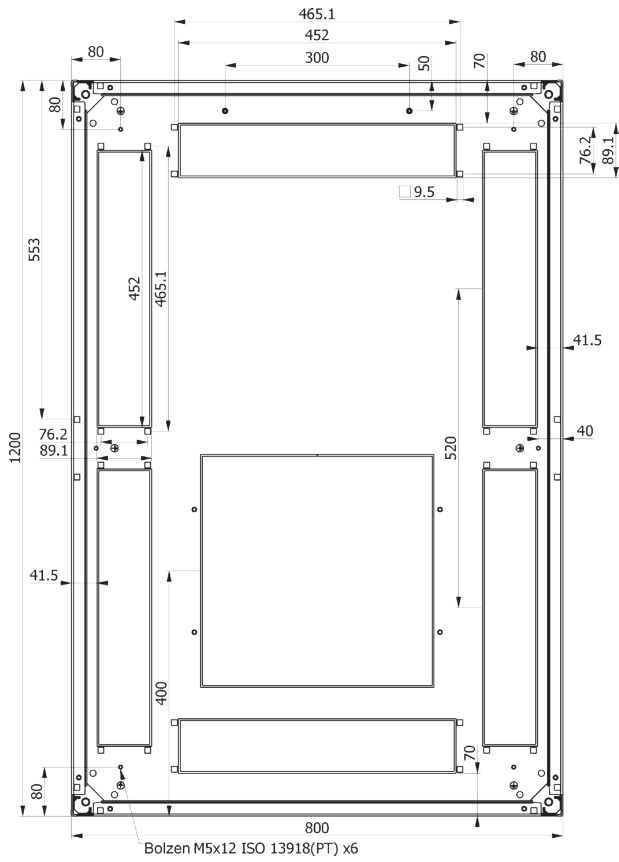
Cabinet roof 600 mm x 600 mm



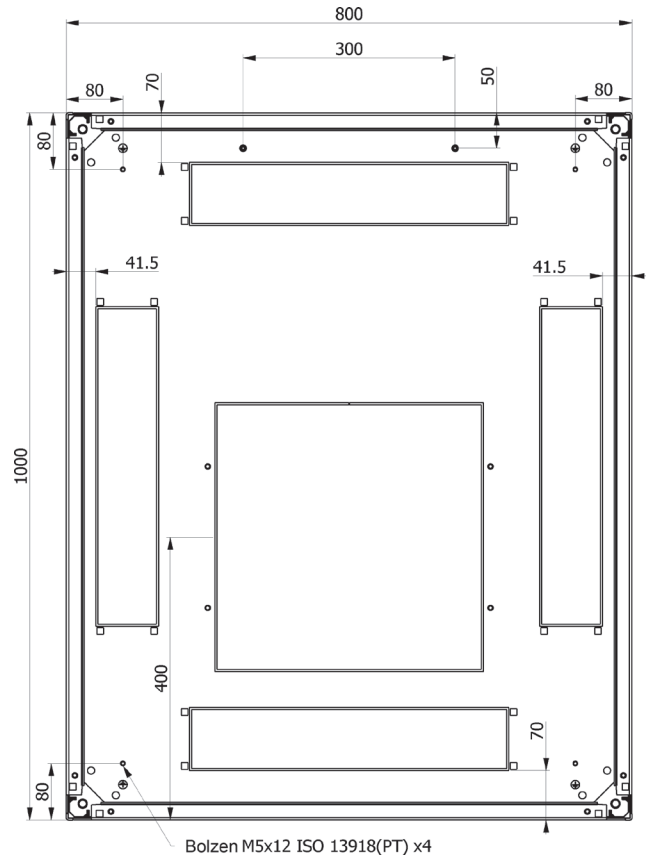
Art.-Nr.	PRO-4288GR.G1SV	Datei	PRO-xx.indd		
Beschreibung	19" Netzwerk-/Serverschränke PRO				
Erstellt	Datum	Letzte Revision	Datum	Geprüft	Datum
MN	21.03.2018	MN	21.11.2019	MN	21.11.2019

19" Network-/Server Cabinets PRO - Technical Drawings Cabinet Bottom in Width = 800 mm

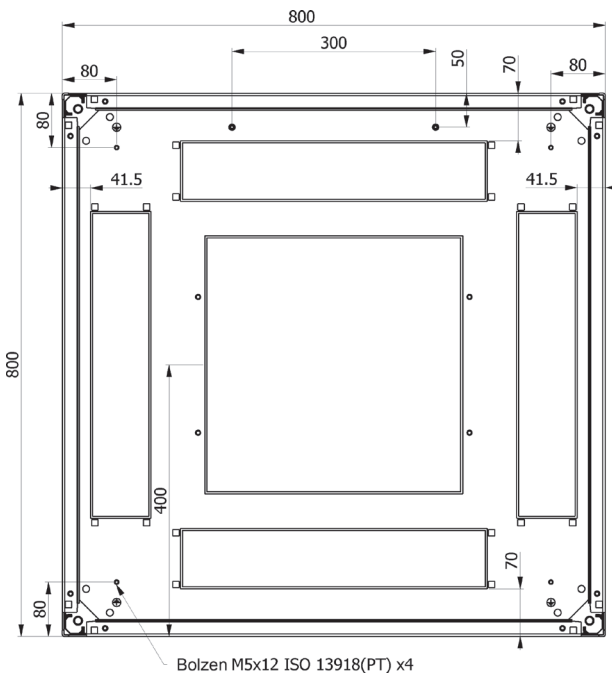
Cabinet bottom 800 mm x 1200 mm



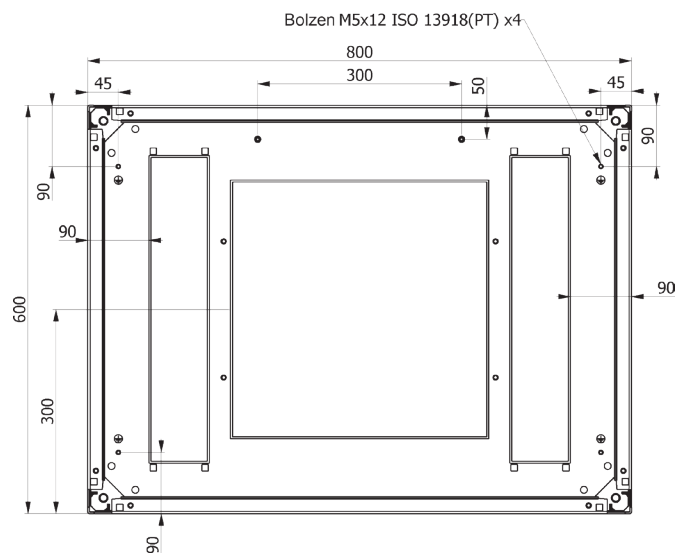
Cabinet bottom 800 mm x 1000 mm



Cabinet bottom 800 mm x 800 mm



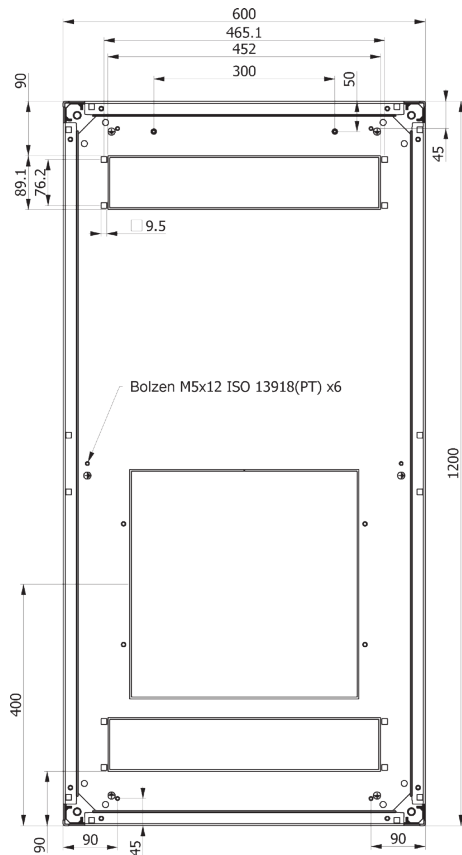
Cabinet bottom 800 mm x 600 mm



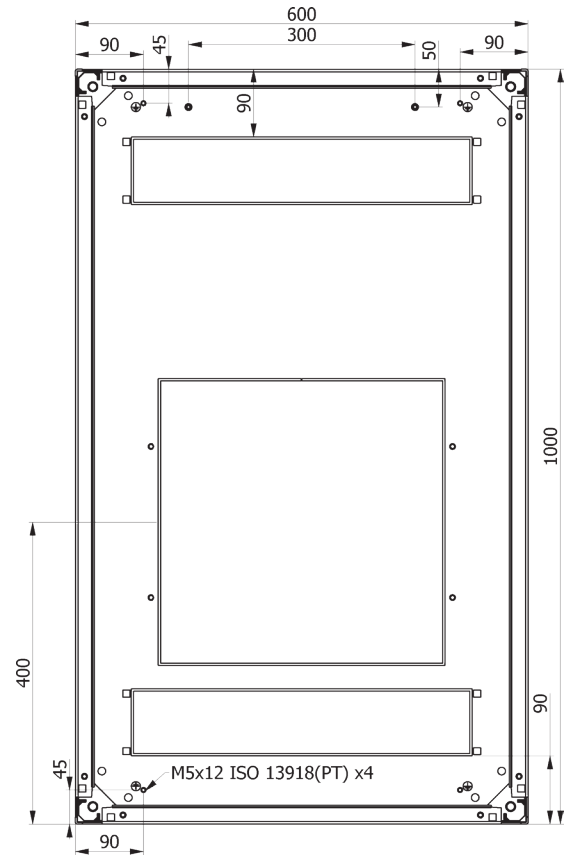
Art.-Nr.	PRO-428GR.G1SV	Datei	PRO-xx.indd		
Beschreibung	19" Netzwerk-/Serverschränke PRO				
Erstellt	Datum	Letzte Revision	Datum	Geprüft	Datum
MN	21.03.2018	MN	21.11.2019	MN	21.11.2019

19" Network-/Server Cabinets PRO - Technical Drawings Cabinet Bottom in Width = 600 mm

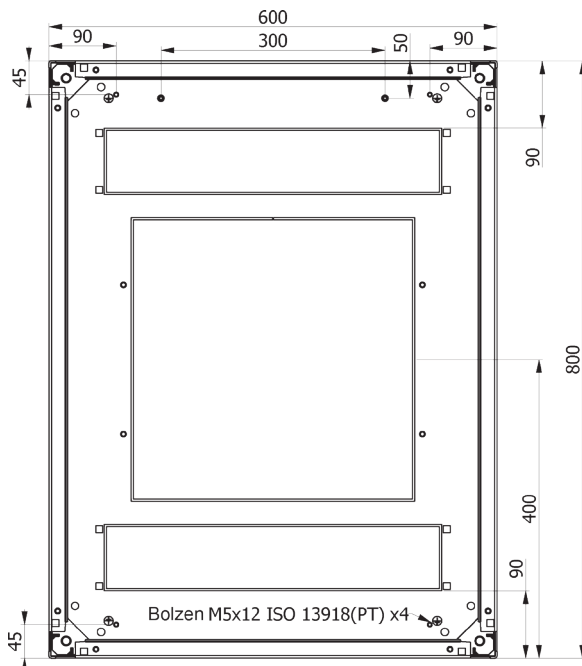
Cabinet bottom 800 mm x 1200 mm



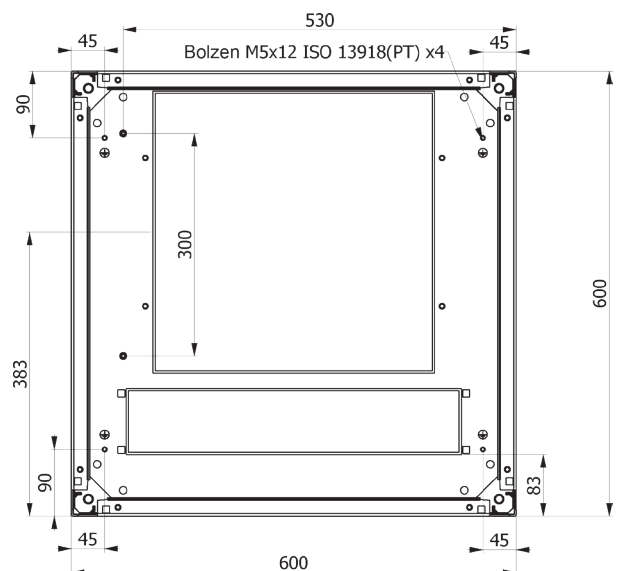
Cabinet bottom 600 mm x 1000 mm



Cabinet bottom 600 mm x 800 mm



Cabinet bottom 600 mm x 600 mm



Art.-Nr.	PRO-4288GR.G1SV	Datei	PRO-xx.indd		
Beschreibung	19" Netzwerk-/Serverschränke PRO				
Erstellt	Datum	Letzte Revision	Datum	Geprüft	Datum
MN	21.03.2018	MN	21.11.2019	MN	21.11.2019