

# DATASHEET

19" Wall Housing Flat Pack 6U..15U, Depth 450 mm / 600 mm, RAL7035/RAL9005

Art.-No. 6917xxFxx.x

**Delivery unassembled - Mounting Time for 1 Person < 10 Minutes possible !  
Mounting instructions on page 3 of this datasheet.**



Unassembled Delivery in 1 Carton  
(picture shows packaging of 691709FTS.1)

Packaging Details see Page 2



Also available in RAL9005

## Common Specifications

- Steel sheet housing with screwed frame, not pre-assembled, self-ventilated
- Side walls detachable with quick fastener and lock
- Roof, bottom and rear wall with pre-punched openings for cable entry (230 x 41 mm)
- Roof prepared for mounting of 2 x single fan (Art.-No. 691664)
- Inside at the front 2 x 19" profile rails, galvanised, depth-adjustable
- Front door with window made of certified safety glass (4 mm) with latch locking
- Front door and side walls earthed at the front frame
- Max. load 60 kg
- Protection degree IP20
- Paint finish RAL7035, light grey / RAL9005, deep black
- Included in delivery: 2 x key, 3 x earthing cable
- Delivery unassembled in transport packaging (1 carton)

Art.-Nr.	6917xxFxx_x.x	Datei	6917xxFxx_x.indd		
Beschreibung	19" Wandgehäuse Flat Pack 6HE..15HE, Tiefe 450 / 600 mm, RAL7035/RAL9005				
Erstellt	Datum	Letzte Revision	Datum	Geprüft	Datum
MN	17.01.2017	MN	17.01.2017	MN	17.01.2017

# DATASHEET

19" Wall Housing Flat Pack 6U..15U, Depth 450 mm / 600 mm, RAL7035/RAL9005

Art.-No. 6917xxFxx.x

## Ordering Data

### 19" Wall Housing Flat Pack, RAL7035, Depth 450 mm

Art.-No.	U	Width	Height	Max. Load
691706FGR.1	6	570 mm	370 mm	60 kg
691709FGR.1	9	570 mm	500 mm	60 kg
691712FGR.1	12	570 mm	635 mm	60 kg
691715FGR.1	15	570 mm	770 mm	60 kg

### 19" Wall Housing Flat Pack, RAL7035, Depth 600 mm

Art.-No.	U	Width	Height	Max. Load
691709FGR.2	9	570 mm	500 mm	60 kg
691712FGR.2	12	570 mm	635 mm	60 kg
691715FGR.2	15	570 mm	770 mm	60 kg

### 19" Wall Housing Flat Pack, RAL9005, Depth 450 mm

Art.-No.	U	Width	Height	Max. Load
691706FTS.1	6	570 mm	370 mm	60 kg
691709FTS.1	9	570 mm	500 mm	60 kg
691712FTS.1	12	570 mm	635 mm	60 kg
691715FTS.1	15	570 mm	770 mm	60 kg

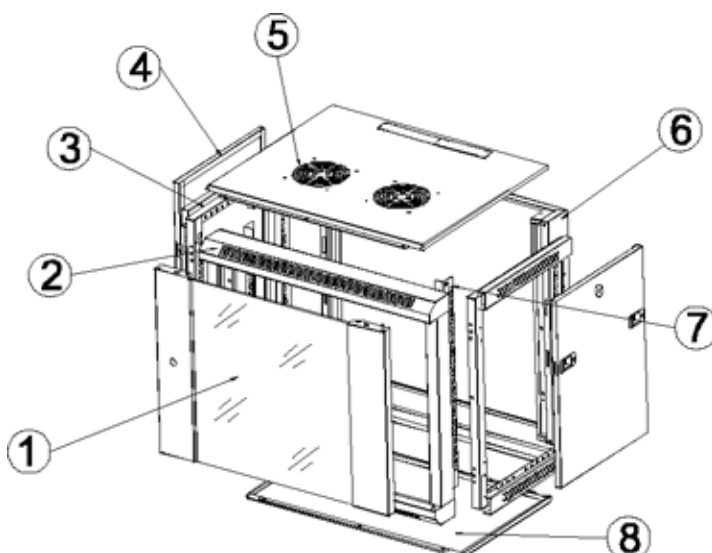
### 19" Wall Housing Flat Pack, RAL9005, Depth 600 mm

Art.-No.	U	Width	Height	Max. Load
691709FTS.2	9	570 mm	500 mm	60 kg
691712FTS.2	12	570 mm	635 mm	60 kg
691715FTS.2	15	570 mm	770 mm	60 kg

## Packaging Details

Art.-No.	Dimensions Housing (U x W x D)	Dimensions Carton (W x D x H)	Weight
691706Fxx.1	06 x 570 x 450 mm	400 x 600 x 230 mm	15,5 kg
691709Fxx.1	09 x 570 x 450 mm	540 x 600 x 180 mm	18,5 kg
691712Fxx.1	12 x 570 x 450 mm	670 x 600 x 180 mm	22 kg
691715Fxx.1	15 x 570 x 450 mm	800 x 600 x 180 mm	25,5 kg
691709Fxx.2	09 x 570 x 600 mm	540 x 600 x 230 mm	22 kg
691712Fxx.2	12 x 570 x 600 mm	670 x 600 x 180 mm	25,5 kg
691715Fxx.2	15 x 570 x 600 mm	800 x 600 x 180 mm	29,5 kg

## Part List



No.	Description	Qty
1	Front door	1
2	Front-side frame	1
3	Side frame	2
4	Side wall	2
5	Roof sheet	1
6	Rear-side frame	1
7	19" profile rails	2
8	Bottom sheet	1

Further parts	Anzahl
Screw M5 x 8, self-tapping	8
Screw M6 x 12	8
Screw and cage nut M6 (up to 12U)	10
(more than 12U)	20

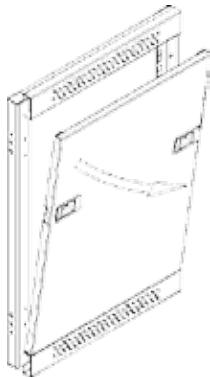
Art.-Nr.	6917xxFxx_x.x	Datei	6917xxFxx_x.indd	
Beschreibung	19" Wandgehäuse Flat Pack 6HE..15HE, Tiefe 450 / 600 mm, RAL7035/RAL9005			
Erstellt	Datum	Letzte Revision	Datum	Geprüft
MN	17.01.2017	MN	17.01.2017	MN
				Datum
				17.01.2017

# DATASHEET

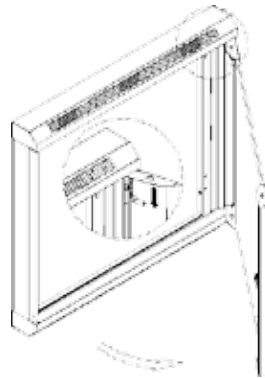
19" Wall Housing Flat Pack 6U..15U, Depth 450 mm / 600 mm, RAL7035/RAL9005

Art.-No. 6917xxFxx.x

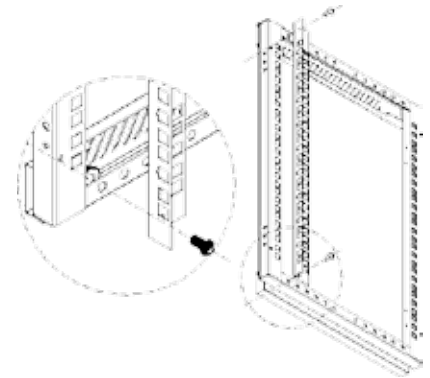
## Montageanleitung



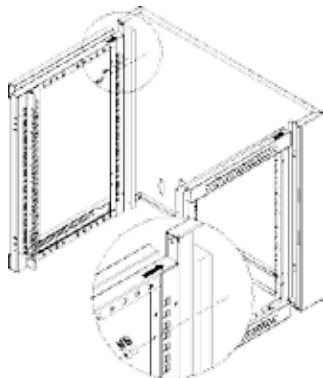
1. Remove the side walls from the side frames and put them separately.



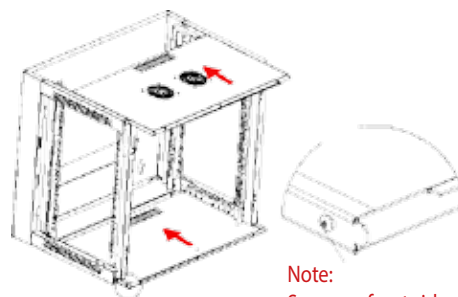
2. Open the front door and remove it via the spring-loaded hinge from the front frame



3. Mount the 19" profiles each with 2 screws M5 x 8 upside and below in the first openings of the side frames

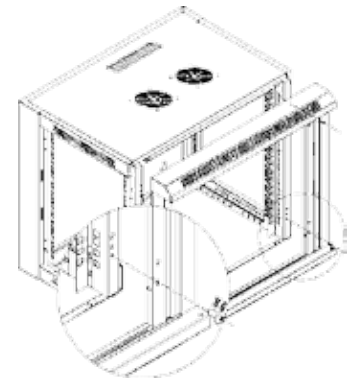


4. Mount the side frames with each 2 screws M6 x 12 in the intended slots of the rear-sided frames.

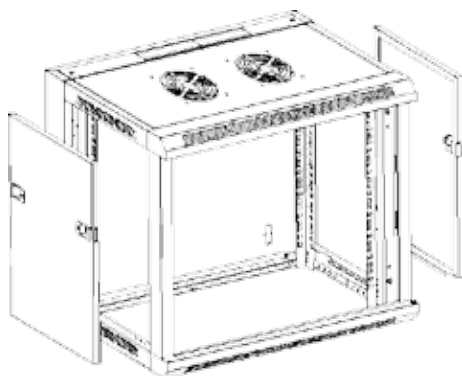


5. Mount roof + bottom like shown by red arrows in the picture. Note: the lateral screws for snap-in of the bottom show the front side.

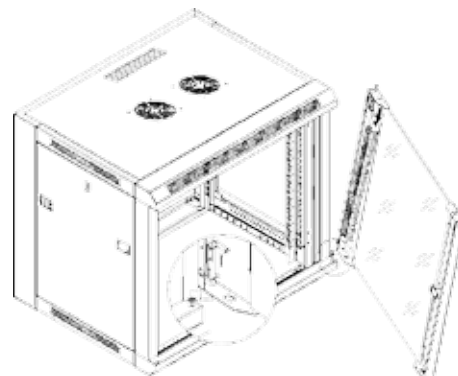
Note:  
Screws = front side of  
bottom sheet



6. Install the front frame with 4 screws M6 x 12 like shown in the picture.



7. Install the side walls removed in step 1.



8. Install the front door removed in step 2.

### Common note:

Since the housing structure is a screwed construction, please check the fit and angularity of all parts as well as the function of the side walls and doors.

After mounting the housing, connect the included earthing cables like following:

- 1 x Earthing cable from right bolt of the front frame to the front door
- 1 x Earthing cable from right bolt of the front frame to the right side wall
- 1 x Earthing cable from left bolt of the front frame to the left side wall

Art.-Nr.	6917xxFxx_x.x	Datei	6917xxFxx_x.indd		
Beschreibung	19" Wandgehäuse Flat Pack 6HE..15HE, Tiefe 450 / 600 mm, RAL7035/RAL9005				
Erstellt	Datum	Letzte Revision	Datum	Geprüft	Datum
MN	17.01.2017	MN	17.01.2017	MN	17.01.2017