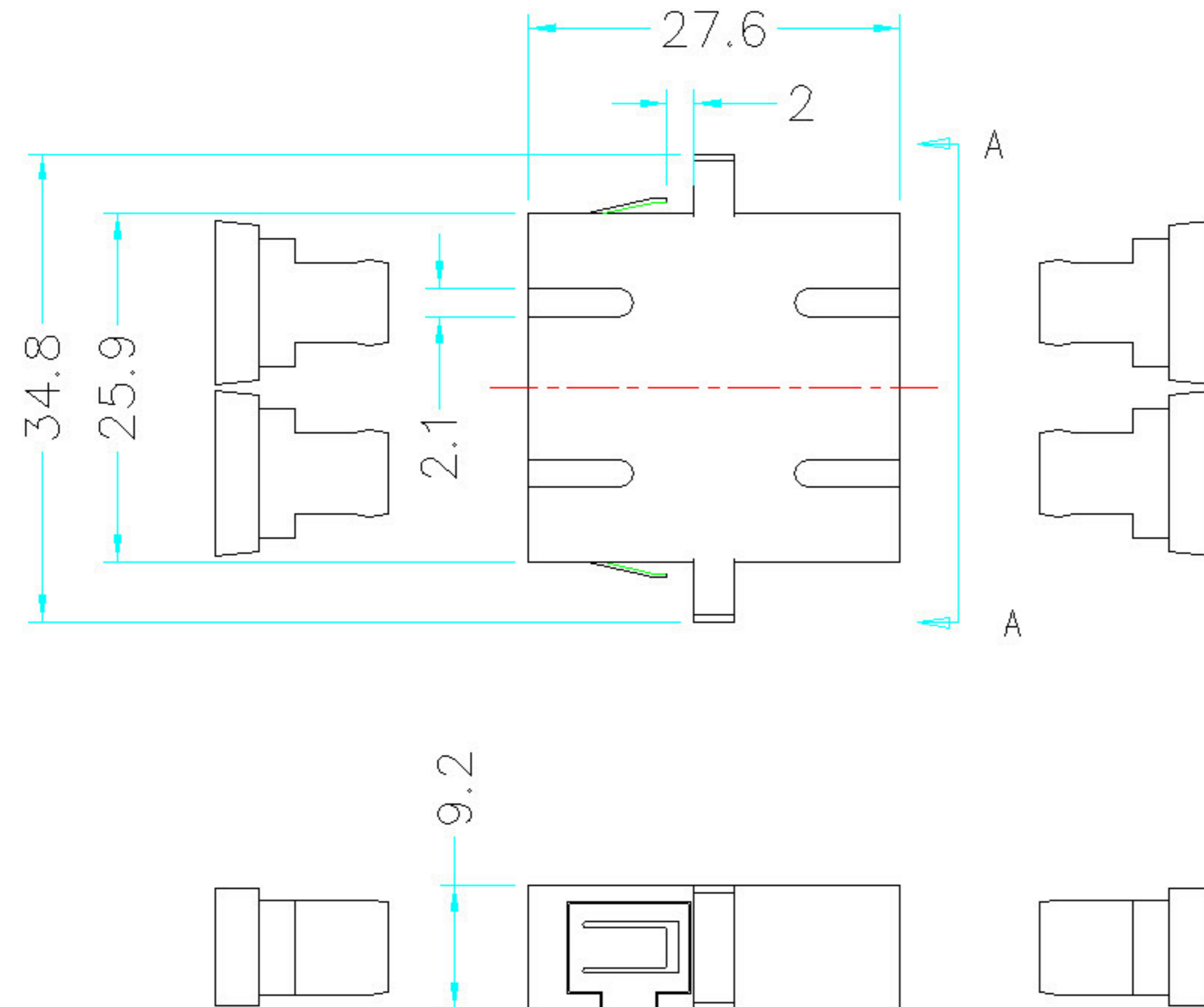
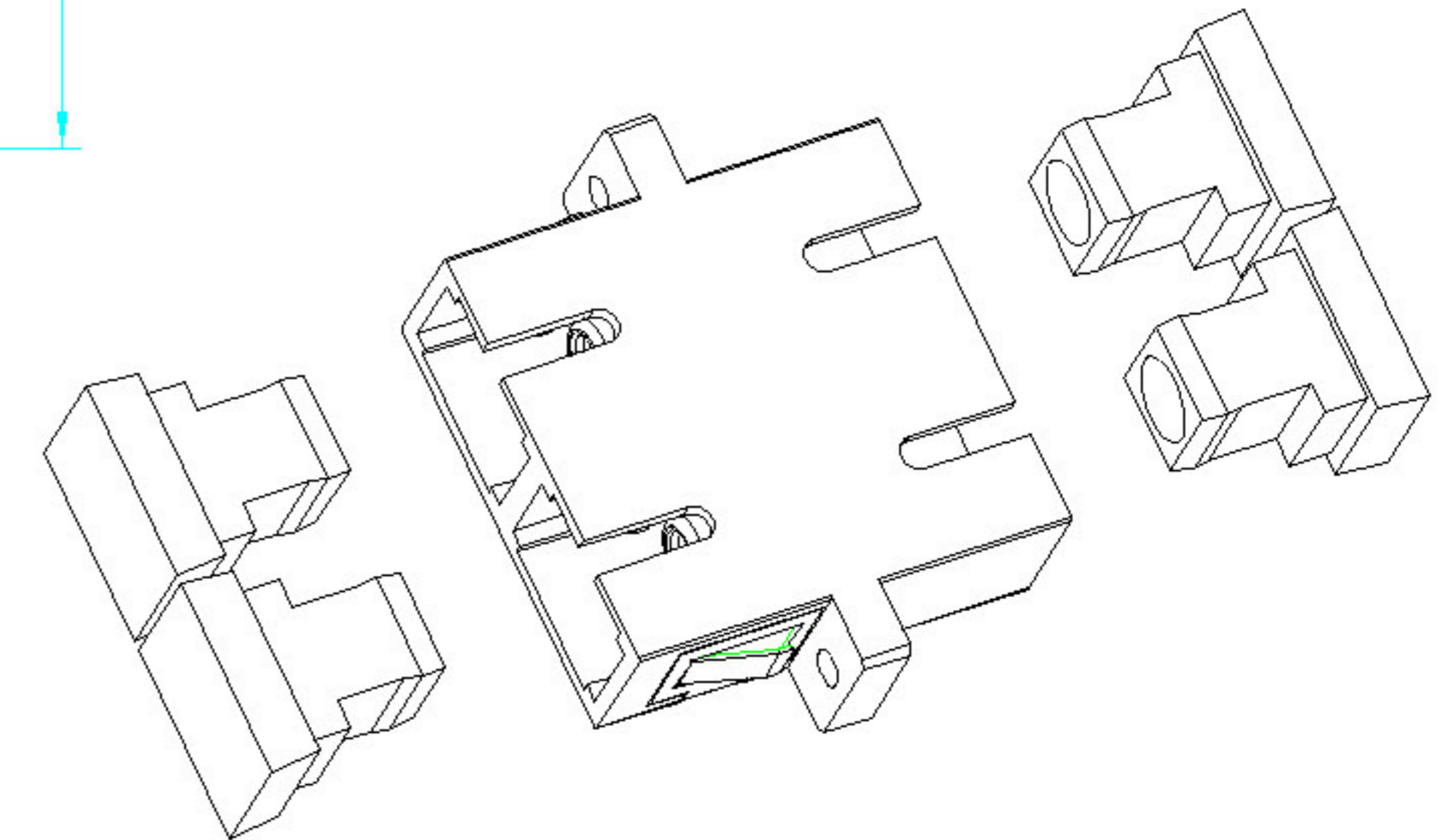
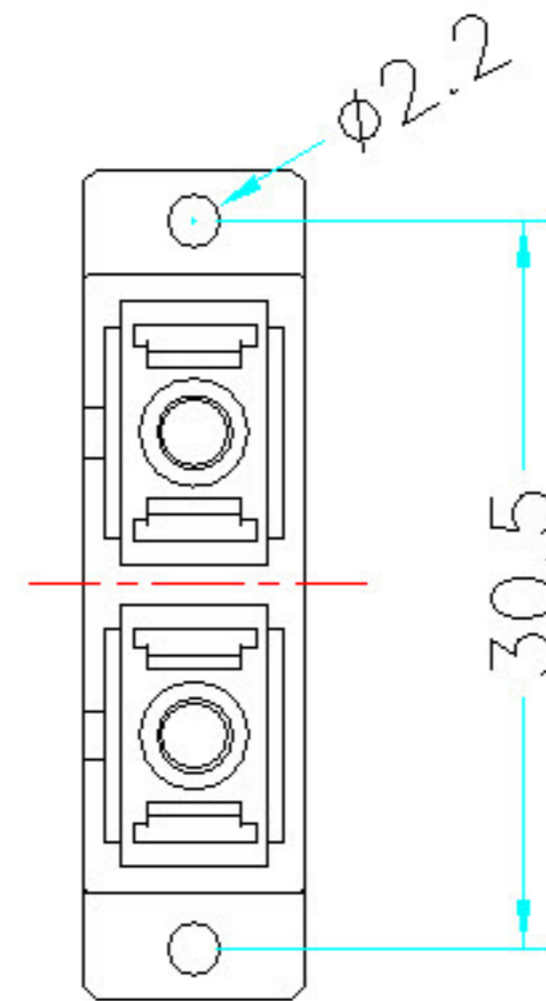


SC Multimode Duplex Adapter OM4



SECTION A-A



Specifications:

1. Housing Material: Plastic ,Violet
2. Sleeve Material: Ceramic
3. Insertion Loss: <math><0.2\text{dB}@850\text{nm}</math>
4. Durability(500matings):0.2dB Max.increase
5. Mating cycles: 1000 max.
6. Operating temperature: -25° C~ 70° C
7. Storage temperature:-40° C~80° C
8. With snap-in fixing
9. RoHS compliant

**RoHS
compliant**



EFB

DESCRIPTIONS: SC Multimode Duplex Adapter OM4

Part No: 53333.1

Drawing No:

Page :1 of 1