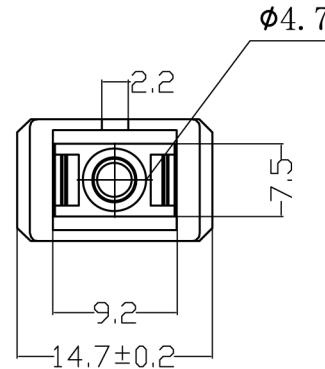
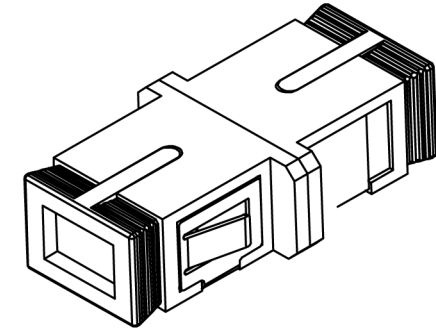
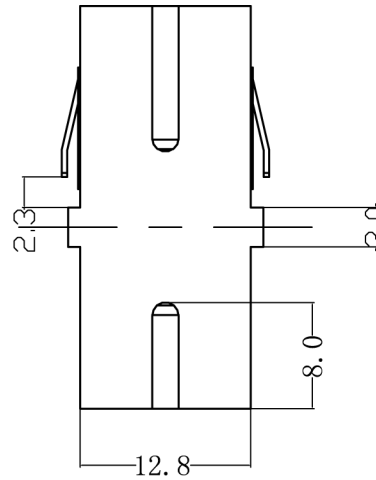
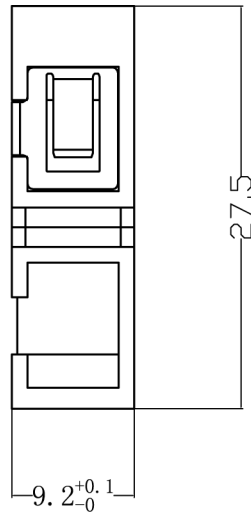


SC Simplex Adapter green, SM, without flange

Art.No.: 53518.1

Singlemode SC/SC simplex adapter, plastic housing green, ceramic sleeve, green dust cap.



The performance of the adaptors has been carefully designed to meet the toughest Telcordia standards

GR-326-CORE

RoHS-Compliance of item and package

Conformance according to IEC 61754-4

in the tests of:

- OPTICAL CHARACTERISTICS
- VIBRATION TEST
- THERMAL CYCLING
- IMPACT RESISTANCE
- SALT SPRAY EROSION
- THERMAL AGING
- HUMIDITY RESISTANCE
- OTHERS

Specification

| | |
|----------------------------|--------------------|
| Sleeve Material | CERAMIC |
| Typical Insertion Loss, dB | 0.1 |
| Max Insertion Loss, dB | 0.2 |
| Durability(1000 Mating) | 0.2dB Max.Increase |
| Operating Temperature, °C | -40 ~ +85 |
| Storage Temperature, °C | -40 ~ +85 |

RoHS
compliant

| | |
|-----------------|------------------|
| Created BT | Date 17.05.13 |
| Last rev. BT | Date 17.05.13 |

**SC Simplex Adapter
green, SM, without flange
Art.No.: 53518.1**

File: 53518.1.pdf

