

# CABINET SERIES PRO & OFFICE

THE NEW VERSATILITY. THE NEW STANDARD.



## EFB-ELEKTRONIK IN PROFILE

EFB-Elektronik GmbH is one of the leading manufacturers and system providers for network and industrial system solutions. Our expertise ranges from structured cabling and certified high-end products for data centers, to individual system solutions on behalf of industrial customers. From our headquarters in Bielefeld / Germany, we are active worldwide.

Our customers include top addresses in the IT and security industry as well as medium-sized and large companies. Our customers benefit from an international network in which we operate, as a member of the TKH Group from the Netherlands with international production facilities and over 6,500 employees worldwide. The EFB Group is represented Europe-wide with 265 employees at eight locations. In addition to five locations in Germany we have subsidiaries in Istanbul, Copenhagen and Vienna.

The current turnover of the TKH Group is more than 1.5 billion euros (2018). With a sales volume of 64.1 million euros (2018), EFB-Elektronik GmbH is one of the leading companies in the group.

LEARN MORE:

[www.efb-elektronik.de/en/aboutus](http://www.efb-elektronik.de/en/aboutus)

## OVERVIEW PRODUCT RANGE



FIBER OPTIC



COPPER



CABINET SYSTEMS



MULTIMEDIA



ACTIVE COMPONENTS



INDUSTRIAL

# TABLE OF CONTENTS

## PART 1 - PRODUCT OVERWIEV

### CABINET SERIES PRO

Highlights of the cabinet series PRO .....	4-7
Network cabinets PRO .....	8
Server cabinets PRO .....	9
Network cabinets PRO-Modular .....	10
Fan and additional roof .....	11
Doors and side walls .....	12-13
Baying sets .....	14
Plinth complete sets .....	15
Plinth parts .....	16-17
Tilt protection, anti-vibration .....	18
Castor sets, sliding rails .....	19
Bottom modules filters & cable entry .....	20
Air routing panels & side covers .....	21-22
Vertical cable routing .....	23-24
Profiles & rails .....	25

### CABINET SERIES OFFICE

Highlights of the cabinet series OFFICE .....	26-28
OFFICE - acoustically insulated .....	29
Worktops OFFICE .....	30
Accessories .....	31

## PART 2 - TECHNICAL DOCUMENTATION

Details fans, filters, cable entry .....	34
Line-up of several cabinets .....	35
Disassembly of the cabinet frame .....	36-38
Max. loads, materials & thicknesses .....	38
Depth adjustment and depth rails .....	39
Ordering data network/distribution variants .....	40
Ordering data server variants .....	41
Ordering data modular frames (Open Rack) .....	42
Door and side walls .....	43
Modular plinth system, sets + examples .....	44-45
Drawings cabinets network/server .....	46
Drawings cabinet 47U 800x1200 mm .....	47
Drawings roof W=800 mm .....	48
Drawings roof W=600 mm .....	49
Drawings floor W=800 mm .....	50
Drawings floor W=600 mm .....	51

# HIGHLIGHTS OF NETWORK

The network and server cabinets of the PRO series convince by a flexible construction philosophy: the cabinets are very easy to dismantle completely and offer numerous, clever possibilities for quick adjusting the Functionality to meet your own requirements.

## ALL HIGHLIGHTS AT A GLANCE:

- Completely dismantlable (delivery pre-assembled)
- High load capacity up to 1,360 kg
- Pre-assembled earthing bar included in scope of delivery
- Highest flexibility:
  - stepless adjustability of profiles and rails
  - Modular plinth system
  - Also available as Open Rack for individual assembly
  - Above-average equipment
  - & all common dimensions (18U .. 47U)

## THE PECULIARITIES OF THE CABINET SERIES PRO

### EASY & QUICK TO DISMOUNT

For dismantling the cabinet frame only four screws must be loosened for each the roof and floor.

### ABOVE-AVERAGE EQUIPMENT

A pre-assembled earthing bar is included in each PRO cabinet as standard. No separate order required.

### EXTREMELY VERSATILE

Modular plinth system: Simple Configuration of height, panels and additional equipment such as tilting- and vibration-protection.

### HIGHEST FLEXIBILITY

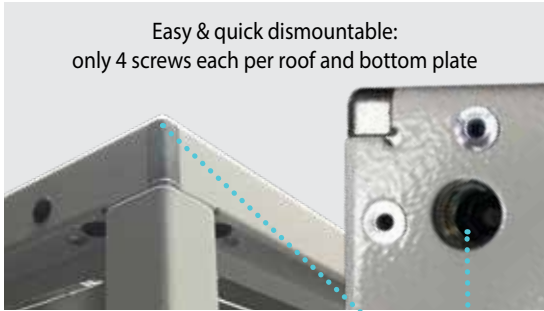
The 19" profiles and depth-rails are stepless adjustable, 19" profiles with double-opposite U inscription.



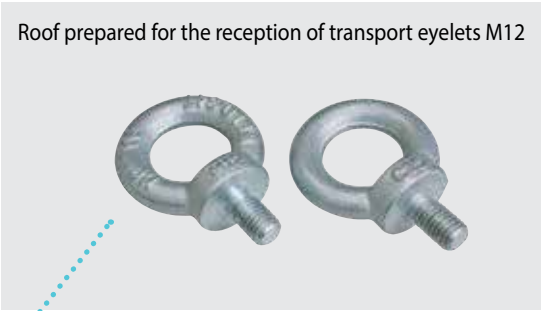
LEARN MORE:

[www.efb-elektronik.de/en/pro](http://www.efb-elektronik.de/en/pro)

# & SERVER CABINETS PRO



Easy & quick dismantlable:  
only 4 screws each per roof and bottom plate



Roof prepared for the reception of transport eyelets M12



Depth rails:  
■ Stepless depth-adjustable  
■ in any height & number positionable



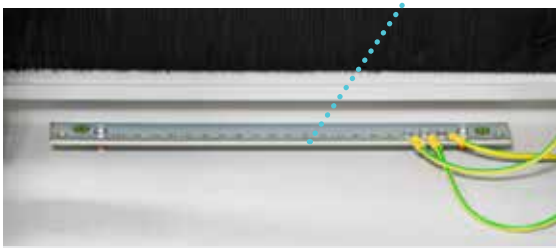
Door opening angle > 180° due to external hinges  
Door stop changeable left/right



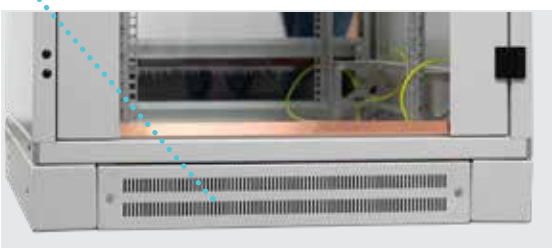
Standard rear door (steel) with 3U cable entry



3-point bar-locking for all door types > 24U (profile half-cylinder exchangeable)



Pre-assembled earthing bar as standard included in cabinet (outlets: 20 x M5 + 2 x 8 mm)



Modular plinth system

# 19" NETWORK- /

**Network/  
distribution  
Cabinet PRO**



**Server Cabinet  
PRO**



## GENERAL PROPERTIES

- 19" network/server cabinet according to DIN41494
- Steel sheet housing with screwed frame, completely pre-assembled, self-ventilated, completely dismantlable
- Inside front and rear 4 x 19" rails (2 front, 2 rear), galvanised, stepless depth-adjustable
- Double-contrariwise numbering of the height units on the 19" profiles
- Front and rear door available in all merchantable variants (glass, steel, perforated 1/2-part)  
Front door with 3-point turning handle (up to 24U 1-point), lockable, incl. profile half-cylinder acc. to DIN18252 / EN 1303
- Profile half cylinder exchangeable on site (30/10 mm)
- Front and rear doors can be hinged on left and right sides
- Removable side panels with 2 latch lockings (locking equal with door lock).  
Depth 1200 mm: 2 side walls per side (2 x type 600 mm).
- Cabinets can be lined-up with and without removal of the side walls using line-up set M6 (Art.-No. PRO-ANR01),  
Additional clamp connector set (Art.-No. PRO-ANR02) for stabilising the cabinet poles possible (use without side walls or with drilled side walls)

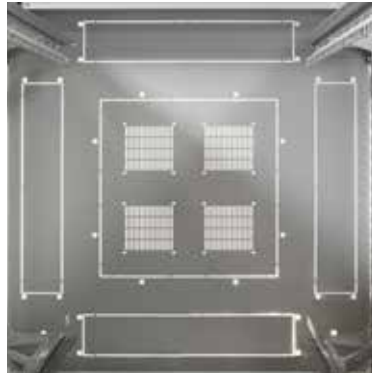
# SERVER CABINETS PRO



**Open-Rack  
variant PRO**

- Roof and floor with up to 4/6 pre-punched, surrounding cutouts (450 x 90 mm) for cable entry, with 600 x 600 mm cable entry only at rear (see drawings on pages 48..51)
- Roof plate prepared for 4 x transport eyelets M12
- All cabinet parts completely earthed on the inside
- Pre-assembled earthing rail at the rear bottom in the middle of the cabinet (for 600 x 600 mm: lateral left bottom)
- Load capacity 1000 kg (depths 600 / 800 mm) resp. 1360 kg (depths 1000 / 1200 mm from 24HE)
- Paint finish RAL7035, light grey / RAL9005, jet black
- Protection degree IP20
- Accessories included: 1 x brush strip, 1 x cage nut set (20 pcs.), earthing rail and earthing cable, 4 x levelling feet M12, 2 x key
- Delivery in transport packaging on disposable pallet

## 19" Server Cabinets PRO



19" network cabinet according to DIN41494

Steel sheet housing with screwed frame, completely pre-assembled, self-ventilated, detachable Inside front and rear 4 x 19" profiles (2 front, 2 rear-sided), galvanised, step-less depth-adjustable

Contrariwise numbering of rack units at the 19" profiles

Front door with window of certified safety glass (thickness 5 mm)

Front door with 3-point turning handle (up to 24U 1-point), lockable, incl. profile half-cylinder acc. to DIN18252 / EN 1303

Profile half-cylinder exchangeable by customer (30/10 mm)

Rear door steel, 1-part, shortened, with 2 x latch locking (lock equal to door lock), 3U panel for cable entry below (690 x 67 mm)

Door stop for front and rear door possible left- or right-sided

Detachable side walls with 2 x latch locking (lock equal to the door lock)

Cabinets stackable side-by-side with and without removal of the side walls, baying set (Art.-No. PRO-ANROX), otherwise screwable via screw set M6

Roof and bottom with 4 pre-punched openings for cable entry (450 x 90 mm) and for accommodation of fan units, for 600 mm cabinet width cable entry only rear

Internal earthing of all cabinet sections

Pre-assembled earthing bar rear-sided in the middle of the cabinet (ports: 2 x M5 + 2 x 8 mm)

Max. load 1000 kg (depths 600 / 800 mm) resp. 1360 kg (depths 1000 / 1200 mm for >24U)

Paint finish RAL7035, light grey. Protection degree IP20

Included accessories: 1 x brush, 1 x set of captive nuts (PU 20 pcs.), earthing bar and earthing cables, 4 x levelling feet M12, 2 x key. Delivery in transport packaging on disposable pallet

Art.-No.	U	Width	Depth	Height	Front Door	Back Door
PRO-1866GR.G1SV	18	600 mm	600 mm	896 mm	Glas door 1-part	Steel door 1-part
PRO-1868GR.G1SV	18	600 mm	800 mm	896 mm	Glas door 1-part	Steel door 1-part
PRO-1888GR.G1SV	18	800 mm	800 mm	896 mm	Glas door 1-part	Steel door 1-part
PRO-2466GR.G1SV	24	600 mm	600 mm	1163 mm	Glas door 1-part	Steel door 1-part
PRO-2468GR.G1SV	24	600 mm	800 mm	1163 mm	Glas door 1-part	Steel door 1-part
PRO-2488GR.G1SV	24	800 mm	800 mm	1163 mm	Glas door 1-part	Steel door 1-part
PRO-3366GR.G1SV	33	600 mm	600 mm	1563 mm	Glas door 1-part	Steel door 1-part
PRO-3368GR.G1SV	33	600 mm	800 mm	1563 mm	Glas door 1-part	Steel door 1-part
PRO-3388GR.G1SV	33	800 mm	800 mm	1563 mm	Glas door 1-part	Steel door 1-part
PRO-4286GR.G1SV	42	800 mm	600 mm	1963 mm	Glas door 1-part	Steel door 1-part
PRO-4288GR.G1SV	42	800 mm	800 mm	1963 mm	Glas door 1-part	Steel door 1-part
PRO-4280GR.G1SV	42	800 mm	1000 mm	1963 mm	Glas door 1-part	Steel door 1-part
PRO-4282GR.G1SV	42	800 mm	1200 mm	1963 mm	Glas door 1-part	Steel door 1-part
PRO-4266GR.G1SV	42	600 mm	600 mm	1963 mm	Glas door 1-part	Steel door 1-part
PRO-4268GR.G1SV	42	600 mm	800 mm	1963 mm	Glas door 1-part	Steel door 1-part
PRO-4260GR.G1SV	42	600 mm	1000 mm	1963 mm	Glas door 1-part	Steel door 1-part
PRO-4768GR.G1SV	47	600 mm	800 mm	2186 mm	Glas door 1-part	Steel door 1-part
PRO-4780GR.G1SV	47	800 mm	1000 mm	2186 mm	Glas door 1-part	Steel door 1-part
PRO-4782GR.G1SV	47	800 mm	1200 mm	2186 mm	Glas door 1-part	Steel door 1-part

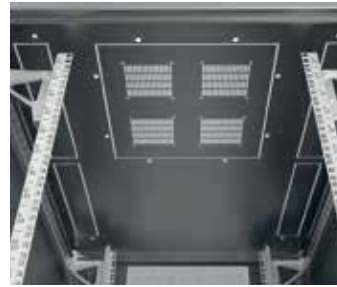
## 19" Server Cabinets PRO-Advanced

As PRO, but rear door still full height (without cable entry), one-piece, swing lever and 3-point rod lock.

Art.-No.	U	Width	Depth	Height	Front Door	Back Door
PRO-4288GR.G1S1	42	800 mm	800 mm	1963 mm	Glas door 1-part	Steel door 1-part, full Height with SH
PRO-4280GR.G1S1	42	800 mm	1000 mm	1963 mm	Glas door 1-part	Steel door 1-part, full Height with SH



## 19" Server Cabinets PRO



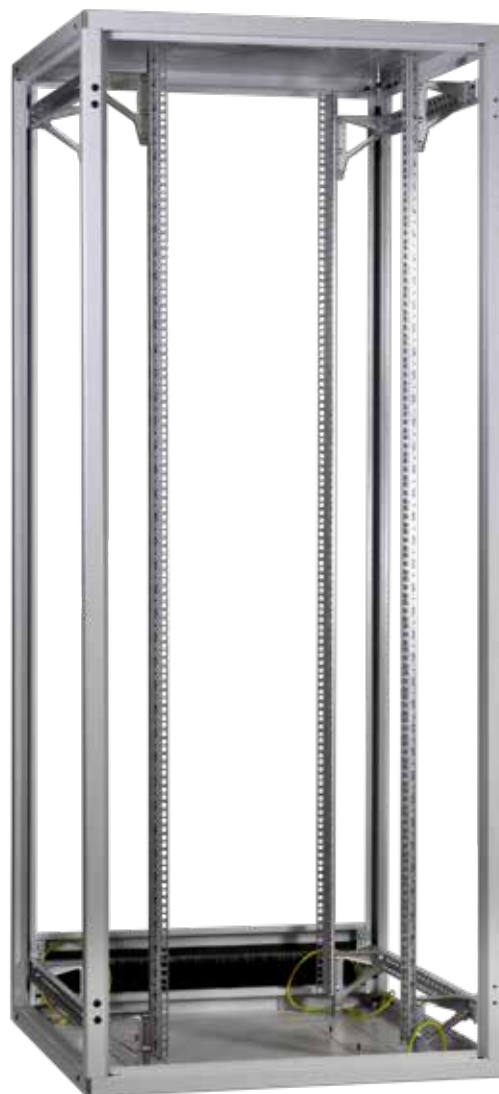
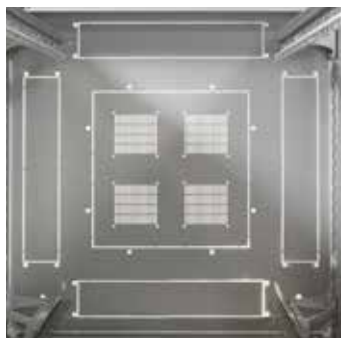
19" server cabinet according to DIN41494  
 Steel sheet housing with screwed frame, completely pre-assembled, self-ventilated, detachable  
 Inside front and rear 4 x 19" profiles (2 front, 2 rear-sided), galvanised, step-less depth-adjustable  
 Contrariwise numbering of rack units at the 19" profiles  
 Front and rear door with 3-point turning handle (up to 24U 1-point), lockable, incl. profile half-cylinder acc. to DIN18252 / EN 1303  
 Profile half-cylinder exchangeable by customer (30/10 mm)  
 Door stop for front and rear door possible left- or right-sided  
 Detachable side walls with 2 x latch locking (lock equal to the door lock)  
 Cabinets stackable side-by-side with and without removal of the side walls, baying set (Art.-No. PRO-ANR0X), otherwise screwable via screw set M6  
 Roof and bottom with 4/6 pre-punched openings for cable entry (450 x 90 mm) and for accommodation of fan units, for 600 mm cabinet width cable entry only rear  
 Internal earthing of all cabinet sections  
 Pre-assembled earthing bar rear-sided in the middle of the cabinet (ports: 20 x M5 + 2 x 8 mm)  
 Max. load 1000 kg (depths 600 / 800 mm) resp. 1360 kg (depths 1000 / 1200 mm for >24U)  
 Paint finish RAL9005, jet black  
 Protection degree IP20  
 Included accessories: 1 x brush, 1 x set of captive nuts (PU 20 pcs.), earthing bar and earthing cables, 4 x levelling feet M12, 2 x key  
 Delivery in transport packaging on disposable pallet

Art.-No.	U	Width	Depth	Height	Front Door	Back door
PRO-4260TS.P1	42	600 mm	1000 mm	1963 mm	Steel perforated 1-part	Steel perforated 1-part
PRO-4262TS.P1	42	600 mm	1200 mm	1963 mm	Steel perforated 1-part	Steel perforated 1-part
PRO-4288TS.P1	42	800 mm	800 mm	1963 mm	Steel perforated 1-part	Steel perforated 1-part
PRO-4280TS.P1	42	800 mm	1000 mm	1963 mm	Steel perforated 1-part	Steel perforated 1-part
PRO-4280TS.P2	42	800 mm	1000 mm	1963 mm	Steel perforated 2-part	Steel perforated 2-part
PRO-4282TS.P1	42	800 mm	1200 mm	1963 mm	Steel perforated 1-part	Steel perforated 1-part
PRO-4282TS.P1P2	42	800 mm	1200 mm	1963 mm	Steel perforated 1-part	Steel perforated 2-part
PRO-4282TS.P2	42	800 mm	1200 mm	1963 mm	Steel perforated 2-part	Steel perforated 2-part
PRO-4780TS.P1	47	800 mm	1000 mm	2186 mm	Steel perforated 1-part	Steel perforated 1-part
PRO-4780TS.P1P2	47	800 mm	1000 mm	2186 mm	Steel perforated 1-part	Steel perforated 2-part
PRO-4780TS.P2	47	800 mm	1000 mm	2186 mm	Steel perforated 1-part	Steel perforated 2-part
PRO-4782TS.P1	47	800 mm	1200 mm	2186 mm	Steel perforated 1-part	Steel perforated 1-part
PRO-4782TS.P1P2	47	800 mm	1200 mm	2186 mm	Steel perforated 1-part	Steel perforated 2-part
PRO-4782TS.P2	47	800 mm	1200 mm	2186 mm	Steel perforated 2-part	Steel perforated 2-part

Prefix	U	Cabinet Width	Cabinet Depth	Colour	Door assembly	Option
PRO-	42	8	8	GR	.G1SV	05 = without side walls
	47	6 = 600 mm	6 = 600 mm	TS = RAL9005, jet black	.G1 = Glas door 1-part	
	42	8 = 800 mm	8 = 800 mm	GR = RAL7035, light grey	.S1 = Steel door 1-part / S2 = Steeldoor 2-part	
	33		0 = 1000 mm		.P1 = Steel door, perf., 1-part / P2 = Steel door, perf., 2-part	
	24		2 = 1200 mm		.SV = Steel door 1-part, 2 x Sash fastener (=Standard Rare door)	
	18				.RW = Rare Wall	
					.OD = unfitted rack with roof („Open Rack“)	

The first and second places after the point define the front door, the third and fourth places the rear door (or wall).  
 With only one specification, the front and rear doors are identical.

## 19" Server Cabinets PRO-Modular



19" rack frame according to DIN41494

Screwed steel sheet frame, completely pre-assembled, self-ventilated, detachable  
 Inside front and rear 4 x 19" profiles (2 front, 2 rear-sided), galvanised, step-less depth-adjustable  
 Contrariwise numbering of rack units at the 19" profiles

Delivery without front/rear door and side walls for modular, individual configuration

For installed front and rear door, door stop left or right-sided possible

Cabinets stackable side-by-side with and without removal of the side walls, baying set (Art.-No. PRO-ANROX), otherwise screwable via screw set M6

Roof and bottom with 4 pre-punched openings for cable entry (450 x 90 mm) and for accommodation of fan units, for 600 mm cabinet width cable entry only rear

Internal earthing of all cabinet sections

Pre-assembled earthing bar rear-sided in the middle of the cabinet (ports: 2 x M5 + 2 x 8 mm)

Max. load 1000 kg (depths 600 / 800 mm) resp. 1360 kg (depths 1000 / 1200 mm for >24U)

Paint finish RAL7035, light grey / RAL9005, jet black

Protection degree IP20

Included accessories: 1 x brush, earthing bar pre-installed, 4 x levelling feet M12, 2 x key

Delivery in transport packaging on disposable pallet

Art.-No.	U	Width	Depth	Height	Front Door	Back Door	Colour
PRO-4266GR.OD	42	600 mm	600 mm	1963 mm	without	without	RAL7035, light grey
PRO-4268GR.OD	42	600 mm	800 mm	1963 mm	without	without	RAL7035, light grey
PRO-4260GR.OD	42	600 mm	1000 mm	1963 mm	without	without	RAL7035, light grey
PRO-4262GR.OD	42	600 mm	1200 mm	1963 mm	without	without	RAL7035, light grey
PRO-4286GR.OD	42	800 mm	600 mm	1963 mm	without	without	RAL7035, light grey
PRO-4288GR.OD	42	800 mm	800 mm	1963 mm	without	without	RAL7035, light grey
PRO-4280GR.OD	42	800 mm	1000 mm	1963 mm	without	without	RAL7035, light grey
PRO-4282GR.OD	42	800 mm	1200 mm	1963 mm	without	without	RAL7035, light grey
PRO-4266TS.OD	42	600 mm	600 mm	1963 mm	without	without	RAL9005, jet black
PRO-4268TS.OD	42	600 mm	800 mm	1963 mm	without	without	RAL9005, jet black
PRO-4260TS.OD	42	600 mm	1000 mm	1963 mm	without	without	RAL9005, jet black
PRO-4262TS.OD	42	600 mm	1200 mm	1963 mm	without	without	RAL9005, jet black
PRO-4286TS.OD	42	800 mm	600 mm	1963 mm	without	without	RAL9005, jet black
PRO-4288TS.OD	42	800 mm	800 mm	1963 mm	without	without	RAL9005, jet black
PRO-4280TS.OD	42	800 mm	1000 mm	1963 mm	without	without	RAL9005, jet black
PRO-4282TS.OD	42	800 mm	1200 mm	1963 mm	without	without	RAL9005, jet black
PRO-4780GR.OD	47	800 mm	1000 mm	2186 mm	without	without	RAL7035, light grey
PRO-4782GR.OD	47	800 mm	1200 mm	2186 mm	without	without	RAL7035, light grey
PRO-4780TS.OD	47	800 mm	1000 mm	2186 mm	without	without	RAL9005, jet black
PRO-4782TS.OD	47	800 mm	1200 mm	2186 mm	without	without	RAL9005, jet black

## Roof Fan 2-/4-Way, incl. Thermostat



Fan unit with integrated thermostat for use in roof of cabinets PRO  
 For 4-fan variant: 3-stage switch (0/I/II) for speed reduction („Silent-Mode“) for especially quietly operation  
 For 2-fan variant: ON/OFF switch  
 Easy mounting at prepared opening (380 x 380 mm) hanging at cabinet roof  
 Housing material plastic  
 Paint finish RAL7035, light grey / RAL9005, jet black  
 Scope of delivery: fan unit incl. thermostat, mounting accessories



Art.-No.	Title	Volume flow, freeblowing	Noise level	Remark
PRO-LFD04AT.GR	Roof Fan 4-Way for PRO, Opening 380x380 mm, incl. Thermostat, RAL7035	660 m <sup>3</sup> /h (Silent-Mode 330 m <sup>3</sup> /h)	54 dB (Silent-Mode: 44 dB)	Switchable Silent-Mode
PRO-LFD02AT.GR	Roof Fan 2-Way for PRO, Opening 380x380 mm, incl. Thermostat, RAL7035	330 m <sup>3</sup> /h	48 dB	
PRO-LFD04AT.TS	Roof Fan 4-Way for PRO, Opening 380x380 mm, incl. Thermostat, RAL9005	660 m <sup>3</sup> /h (Silent-Mode 330 m <sup>3</sup> /h)	54 dB (Silent-Mode: 44 dB)	Switchable Silent-Mode
PRO-LFD02AT.TS	Roof Fan 2-Way for PRO, Opening 380x380 mm, incl. Thermostat, RAL9005	330 m <sup>3</sup> /h	48 dB	

## Additional Roof with Cable Entries

For aesthetic supplement and covering of roof ventilation openings of the cabinet  
 Cable entries rear-sided resp. latera  
 Material steel sheet, height 40 mm  
 Paint finish RAL7035, light grey / RAL9005, jet black



Art.-No.	Title	Width	Depth	Colour
PRO-DCH66B.GR	Additional Roof H=40 mm, 600x600 mm, for Cabinet Series PRO	600 mm	600 mm	RAL7035, light grey
PRO-DCH68B.GR	Additional Roof H=40 mm, 600x800 mm, for Cabinet Series PRO	600 mm	800 mm	RAL7035, light grey
PRO-DCH60B.GR	Additional Roof H=40 mm, 600x1000 mm, for Cabinet Series PRO	600 mm	1000 mm	RAL7035, light grey
PRO-DCH62B.GR	Additional Roof H=40 mm, 600x1200 mm, for Cabinet Series PRO	600 mm	1200 mm	RAL7035, light grey
PRO-DCH86B.GR	Additional Roof H=40 mm, 800x600 mm, for Cabinet Series PRO	800 mm	600 mm	RAL7035, light grey
PRO-DCH88B.GR	Additional Roof H=40 mm, 800x800 mm, for Cabinet Series PRO	800 mm	800 mm	RAL7035, light grey
PRO-DCH80B.GR	Additional Roof H=40 mm, 800x1000 mm, for Cabinet Series PRO	800 mm	1000 mm	RAL7035, light grey
PRO-DCH82B.GR	Additional Roof H=40 mm, 800x1200 mm, for Cabinet Series PRO	800 mm	1200 mm	RAL7035, light grey
PRO-DCH66B.TS	Additional Roof H=40 mm, 600x600 mm, for Cabinet Series PRO	600 mm	600 mm	RAL9005, jet black
PRO-DCH68B.TS	Additional Roof H=40 mm, 600x800 mm, for Cabinet Series PRO	600 mm	800 mm	RAL9005, jet black
PRO-DCH60B.TS	Additional Roof H=40 mm, 600x1000 mm, for Cabinet Series PRO	600 mm	1000 mm	RAL9005, jet black
PRO-DCH62B.TS	Additional Roof H=40 mm, 600x1200 mm, for Cabinet Series PRO	600 mm	1200 mm	RAL9005, jet black
PRO-DCH86B.TS	Additional Roof H=40 mm, 800x600 mm, for Cabinet Series PRO	800 mm	600 mm	RAL9005, jet black
PRO-DCH88B.TS	Additional Roof H=40 mm, 800x800 mm, for Cabinet Series PRO	800 mm	800 mm	RAL9005, jet black
PRO-DCH80B.TS	Additional Roof H=40 mm, 800x1000 mm, for Cabinet Series PRO	800 mm	1000 mm	RAL9005, jet black
PRO-DCH82B.TS	Additional Roof H=40 mm, 800x1200 mm, for Cabinet Series PRO	800 mm	1200 mm	RAL9005, jet black

## Glas Door 42U, 1-Part, 3-Point-Locking



**Hinweis:**  
auch als geteilte Glastür lieferbar.  
Sprechen Sie uns an!

1-part glass door for 42U cabinets PRO  
Window made of certified safety glass (thickness 5 mm)  
3-point-locking with turning handle and profile half-cylinder acc. to DIN18252 / EN1303 (PHC exchangeable by customer)  
Door opening angle 180°  
Paint finish (steel elements) RAL7035, light grey / RAL9005, jet black  
Delivery pre-assembled incl. all hinges, screws, 2 x key

Art.-No.	Title	For Cabinet Width	Colour
PRO-TUR428G1.GR	Door for PRO 42U, B=800, Glass, 1-part, TH, RAL7035	800 mm	RAL7035
PRO-TUR426G1.GR	Door for PRO 42U, B=600, Glass, 1-part, TH, RAL7035	600 mm	RAL7035

## Steel Door 42U, 1-Part, 3-Point-Locking



1-part steel door for 42U cabinets PRO  
3-point-locking with turning handle and profile half-cylinder acc. to DIN18252 / EN1303 (PHC exchangeable by customer)  
Door opening angle 180°  
Paint finish RAL7035, light grey / RAL9005, jet black  
Delivery pre-assembled incl. all hinges, screws, 2 x key

Art.-No.	Description	For Cabinet Width	Colour
PRO-TUR428S1.GR	Door for PRO 42U, B=800, Steel, 1-Part, TH	800 mm	RAL7035
PRO-TUR426S1.GR	Door for PRO 42U, B=600, Steel, 1-Part, TH	600 mm	RAL7035

## Steel Door 42U, 1-Part, 2 x Latch Locking



1-part steel door for 42U cabinets PRO  
For use as standard rear door, 3U panel for cable entry below the door  
2 x latch locking (T3 / 1333)  
Door opening angle 110°  
Paint finish RAL7035, light grey / RAL9005, jet black  
Delivery pre-assembled incl. all hinges, screws, 2 x key

Art.-No.	Description	For Cabinet Width	Colour
PRO-TUR428SV.GR	Door for PRO 42U, B=800, Steel, 1-Part, LL, RAL7035, Rear Door	800 mm	RAL7035
PRO-TUR426SV.GR	Door for PRO 42U, B=600, Steel, 1-Part, LL, RAL7035, Rear Door	600 mm	RAL7035

## Steel Door 42U, 2-Part, Width 800 mm, 3-Point-Locking



2-part steel door, perforated, for 42U cabinets PRO  
Perforation 80 %  
3-point-locking with turning handle and profile half-cylinder acc. to DIN18252 / EN1303 (PHC exchangeable by customer)  
Door opening angle 180°  
Paint finish RAL7035, light grey / RAL9005, jet black  
Delivery pre-assembled incl. all hinges, screws, 2 x key

Art.-No.	Description	For Cabinet Width	Colour
PRO-TUR428S2.GR	Door for PRO 42U, B=800, Steel, 2-part, TH	800 mm	RAL7035
PRO-TUR428S2.TS	Door for PRO 42U, B=800, Steel, 2-part, TH	800 mm	RAL9005

Prefix	Category	U	Cabinet Width	Type	Colour
PRO-	TUR	42	8	G1	.GR
	TUR = Door	47	6 = 600 mm	G1 = Glass door 1-part	.GR = RAL7035, light grey
		42	8 = 800 mm	S1 = Steel door 1-part / S2 = Steel door 2-part	
		33		P1 = Steel door, perforated, 1-part / P2 = Steel door, perforated, 2-part	.TS = RAL9005, jet black
		24		SV = Steel door 1-part, 2 x Latch lock (=Standard rear door)	
		18			

All components available in RAL 7035 as well as RAL9005

## Steel Door Perforated 42U, 1-Part, 3-Point-Locking

1-part steel door, perforated, for 42U cabinets PRO  
 Perforation 80%  
 3-point-locking with turning handle and profile half-cylinder acc. to DIN18252 / EN1303 (PHC exchangeable by customer)  
 Door opening angle 180°  
 Paint finish RAL7035, light grey / RAL9005, jet black  
 Delivery pre-assembled incl. all hinges, screws, 2 x key

Art.-No.	Description	For Cabinet Width	Colour
PRO-TUR428P1.GR	Door for PRO 42U, B=800, Steel perf., 1-Part, TH, RAL7035	800 mm	RAL7035
PRO-TUR426P1.GR	Door for PRO 42U, B=600, Steel perf., 1-Part, TH, RAL7035	600 mm	RAL7035



## Steel Door Perforated 42U, 2-Part, 3-Point-Locking

2-part steel door, perforated, for 42U cabinets PRO  
 Perforation 80 %  
 3-point-locking with turning handle and profile half-cylinder acc. to DIN18252 / EN1303 (PHC exchangeable by customer)  
 Door opening angle 180°  
 Paint finish RAL7035, light grey / RAL9005, jet black  
 Delivery pre-assembled incl. all hinges, screws, 2 x key

Art.-No.	Description	For Cabinet Width	Colour
PRO-TUR428P2.GR	Door for PRO 42U, B=800, Steel perf., 2-Part, TH, RAL7035	800 mm	RAL7035
PRO-TUR428P2.TS	Door for PRO 42U, B=800, Steel perf., 2-Part, TH, RAL9005	800 mm	RAL9005



## Side Wall for PRO 42U

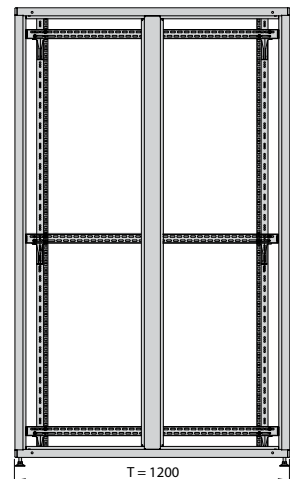
Side wall for 42U cabinets PRO  
 For depth 1200 mm, consisting of 2 elements 600 mm each  
 With 2 x latch locking (locking T3 / 1333)  
 Material steel sUet  
 Paint finish RAL7035, light grey / RAL9005, jet black  
 Scope of delivery: side wall, 2 x key

Art.-No.	Description	For Cabinet Width	Colour
PRO-W426E.GR	Side wall for PRO 42U, T=600, 1-Part, RAL7035	600 mm	RAL7035
PRO-W428E.GR	Side wall for PRO 42U, T=800, 1-Part, RAL7035	800 mm	RAL7035
PRO-W420E.GR	Side wall for PRO 42U, T=1000, 1-Part, RAL7035	1000 mm	RAL7035
PRO-W422Z.GR	Side wall for PRO 42U, T=1200, 2-Part, RAL7035, 2 Parts 600 mm each	1200 mm	RAL7035
PRO-W426E.TS	Side wall for PRO 42U, T=600, 1-Part, RAL9005	600 mm	RAL9005
PRO-W428E.TS	Side wall for PRO 42U, T=800, 1-Part, RAL9005	800 mm	RAL9005
PRO-W420E.TS	Side wall for PRO 42U, T=1000, 1-Part, RAL9005	1000 mm	RAL9005
PRO-W422Z.TS	Side wall for PRO 42U, T=1200, 2-Part, RAL9005, 2 Parts 600 mm each	1200 mm	RAL9005



Prefix	Category	U	Rack width	Type	Colour
PRO-	W	42	8	E	.GR
	W = Wall	47	6 = 600 mm	E = 1-Part	.GR = RAL7035, light grey
		42	8 = 800 mm	Z = 2-Part	
		33	0 = 1000 mm		.TS = RAL9005, jet black
		24	2 = 1200 mm		
		18			

Side walls for cabinet depths 600 mm, 800 mm and 1000 mm consisting of one part.  
 Side walls for cabinet depth 1200 mm consisting of 2 parts with 600 mm each.



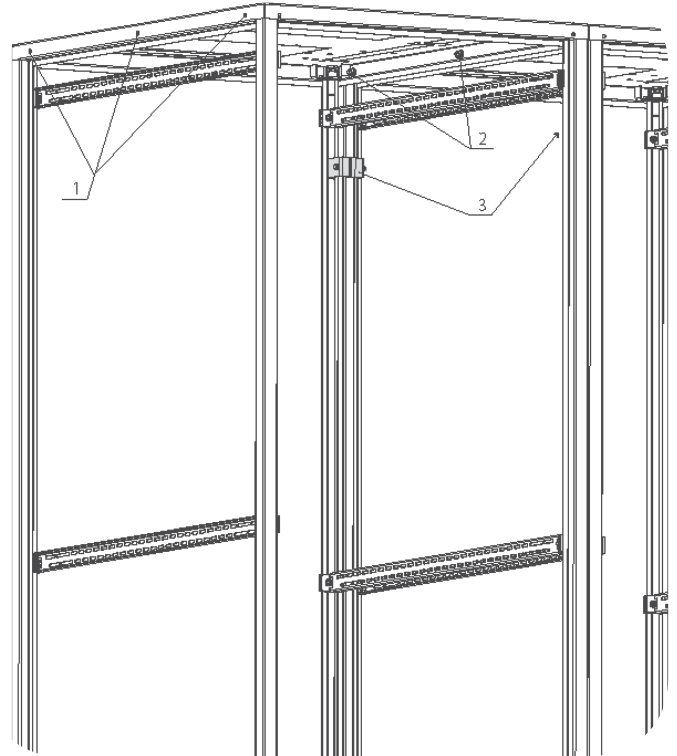
For Cabinet Depth 1200 mm, 2 side walls of type 600 mm are required

All components available in RAL 7035 as well as RAL9005

## Line-Up Connectors, 4 Pcs. in Set



- 1 - Line-Up openings in the rack
- 2 - Line-Up Set screws (4 pieces in the set)
- 3 - Line-Up Clamping Connector Set



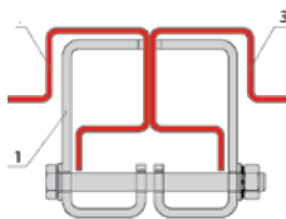
Connection set for connection of cabinets PRO at the lateral openings in roof and bottom  
 Usable with and without side walls  
 Also suitable for connection of server cabinets e.g. with side coolers or In-Row coolers  
 1 set suitable for connection of 2 cabinets  
 Scope of delivery: 4 x screw M8, 4 x nut M8, 8 x washer

Art.-No.	Description
PRO-ANR01	Line-Up Set for Cabinet Series PRO

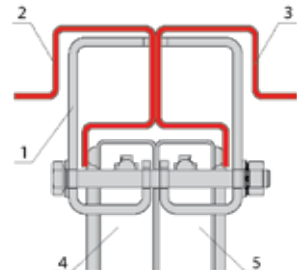
## Line-Up Clamping Connector Set



Use of clamp connector without side walls



Use of clamp connector with side walls



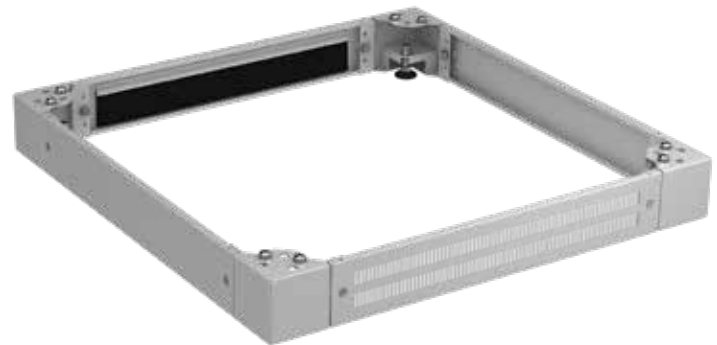
**Note:**  
 Side walls must be ordered and produced with holes or have to be drilled at construction site - please ask your sales contact!

Clamp connector for raising the stability of lined-up cabinets PRO for heavy loads  
 Recommended for loads over 400 kg  
 Suitable for use with and without side walls  
 Scope of delivery: 1 set consisting of 4 x clamp connector

- Description of Drawing:**
- 1 - Clamp connector
  - 2 - Pole left cabinet
  - 3 - Pole right cabinet
  - 4 - Side wall left cabinet
  - 5 - Side wall right cabinet

Art.-No.	Description
PRO-ANR02	Set of Clamp Connectors for Cabinet Series PRO

## Plinth 100 mm for Cabinets PRO



Consisting of 4 very solid, levellable plinth corners and 4 covers  
 Front cover perforated, rear cover with cable entry via brush  
 Side covers closed  
 Material steel sheet  
 Paint finish RAL7035, light grey / RAL9005, jet black

Art.-No.	Description	For Cabinet Width	For Cabinet Depth	Colour
PRO-SOK66PB.GR	Plinth for 600x600, H=100 mm, RAL7035, for Cabinet Series PRO	600 mm	600 mm	RAL7035
PRO-SOK68PB.GR	Plinth for 600x800, H=100 mm, RAL7035, for Cabinet Series PRO	600 mm	800 mm	RAL7035
PRO-SOK86PB.GR	Plinth for 800x600, H=100 mm, RAL7035, for Cabinet Series PRO	800 mm	600 mm	RAL7035
PRO-SOK88PB.GR	Plinth for 800x800, H=100 mm, RAL7035, for Cabinet Series PRO	800 mm	800 mm	RAL7035
PRO-SOK80PB.GR	Plinth for 800x1000, H=100 mm, RAL7035, for Cabinet Series PRO	800 mm	1000 mm	RAL7035
PRO-SOK82PB.GR	Plinth for 800x1200, H=100 mm, RAL7035, for Cabinet Series PRO	800 mm	1200 mm	RAL7035
PRO-SOK60PB.TS	Plinth for 600x1000, H=100 mm, RAL9005, for Cabinet Series PRO	600 mm	1000 mm	RAL9005
PRO-SOK88PB.TS	Plinth for 800x800, H=100 mm, RAL9005, for Cabinet Series PRO	800 mm	800 mm	RAL9005
PRO-SOK80PB.TS	Plinth for 800x1000, H=100 mm, RAL9005, for Cabinet Series PRO	800 mm	1000 mm	RAL9005
PRO-SOK82PB.TS	Plinth for 800x1200, H=100 mm, RAL9005, for Cabinet Series PRO	800 mm	1200 mm	RAL9005

## Plinth 100 mm, Perforated, for Cabinets PRO



Consisting of 4 very solid, levellable plinth corners and 4 covers  
 Front and rear cover perforated  
 Side covers closed  
 Material steel sheet  
 Paint finish RAL7035, light grey

Art.-No.	Description	For Cabinet Width	For Cabinet Depth	Colour
PRO-SOK88PP.GR	Plinth for PRO 800x800 mm, H=100 mm, Perforated, RAL7035	800 mm	800 mm	RAL7035

## Plinth incl. Tilt Protection



Consisting of 4 very stable plinth corners, 3 covers and 1 tilt protection element  
 For cabinet depths 1000 and 1200 mm  
 All sides closed  
 Material steel sheet  
 Paint finish RAL9005, jet black

Art.-No.	Description	For Cabinet Width	For Cabinet Depth	Colour
PRO-SKI60.TS	Plinth for PRO 600x1000 mm, incl. Tilt Protection, RAL9005	600 mm	1000 mm	RAL9005
PRO-SKI62.TS	Plinth for PRO 600x1200 mm, incl. Tilt Protection, RAL9005	600 mm	1200 mm	RAL9005
PRO-SKI80.TS	Plinth for PRO 800x1000 mm, incl. Tilt Protection, RAL9005	800 mm	1000 mm	RAL9005
PRO-SKI82.TS	Plinth for PRO 800x1200 mm, incl. Tilt Protection, RAL9005	800 mm	1200 mm	RAL9005

### 4 Plinth Corners PRO, Levellable, H=100 mm



Set of 4 extremely stable plinth corners  
 Plinth height 100 mm, levellable  
 Suitable for individual assembly with plinth covers PRO-SOBxx  
 Material steel sheet  
 Paint finish RAL7035, light grey / RAL9005, jet black

Art.-No.	Description	Colour
PRO-SOE100N.GR	4 Plinth Corners PRO, Levellable, H=100 mm	RAL7035
PRO-SOE100N.TS	4 Plinth Corners PRO, Levellable, H=100 mm	RAL9005

### 4 Plinth Corners PRO, Levellable, H=200 mm



Set of 4 extremely stable plinth corners  
 Plinth height 200 mm, levellable  
 Suitable for individual assembly with plinth covers PRO-SOBxx  
 Material steel sheet  
 Paint finish RAL7035, light grey / RAL9005, jet black

Art.-No.	Description	Colour
PRO-SOE200N.GR	4 Plinth Corners PRO, Levellable, H=200 mm	RAL7035
PRO-SOE200N.TS	4 Plinth Corners PRO, Levellable, H=200 mm	RAL9005

### 4 Plinth Corners PRO, Fixed, H=100 mm



Set of 4 extremely stable plinth corners  
 Plinth height 100 mm fix (not levellable)  
 Suitable for individual assembly with plinth covers PRO-SOBxx  
 Suitable for screwing at the floor and for use with vibration dampers PRO-VIB01  
 Material steel sheet  
 Paint finish RAL7035, light grey / RAL9005, jet black

Art.-No.	Description	Colour
PRO-SOE100F.GR	4 Plinth Corners PRO, Fixed, H=100 mm	RAL7035
PRO-SOE100F.TS	4 Plinth Corners PRO, Fixed, H=100 mm	RAL9005

### 4 Plinth Corners PRO, Fixed, H=200 mm



Set of 4 extremely stable plinth corners  
 Plinth height 200 mm fix (not levellable)  
 Suitable for individual assembly with plinth covers PRO-SOBxx  
 Suitable for screwing at the floor and for use with vibration dampers PRO-VIB01  
 Material steel sheet  
 Paint finish RAL7035, light grey / RAL9005, jet black

Art.-No.	Description	Colour
PRO-SOE200F.GR	4 Plinth Corners PRO, Fixed, H=200 mm	RAL7035
PRO-SOE200F.TS	4 Plinth Corners PRO, Fixed, H=200 mm	RAL9005



## Plinth Cover PRO with Brush



Covers for plinths of cabinet series PRO  
 Suitable for use at all 4 sides of the plinth (front/rear/left/right)  
 Material steel sheet  
 Paint finish RAL7035, licht grey / RAL9005, jet black  
 Scope of delivery: 1 cover incl. mounting accessories

Art.-No.	Description	For Cabinet Width	For Cabinet Depth	Colour
PRO-SOB06B.GR	Plinth Cover PRO with Brush, W/D=600 mm, RAL7035	600 mm	600 mm	RAL7035
PRO-SOB08B.GR	Plinth Cover PRO with Brush, W/D=800 mm, RAL7035	800 mm	800 mm	RAL7035
PRO-SOB10B.GR	Plinth Cover PRO with Brush, W/D=1000 mm, RAL7035	1000 mm	1000 mm	RAL7035
PRO-SOB12B.GR	Plinth Cover PRO with Brush, W/D=1200 mm, RAL7035	1200 mm	1200 mm	RAL7035
PRO-SOB06B.TS	Plinth Cover PRO with Brush, W/D=600 mm, RAL9005	600 mm	600 mm	RAL9005
PRO-SOB08B.TS	Plinth Cover PRO with Brush, W/D=800 mm, RAL9005	800 mm	800 mm	RAL9005
PRO-SOB10B.TS	Plinth Cover PRO with Brush, W/D=1000 mm, RAL9005	1000 mm	1000 mm	RAL9005
PRO-SOB12B.TS	Plinth Cover PRO with Brush, W/D=1200 mm, RAL9005	1200 mm	1200 mm	RAL9005

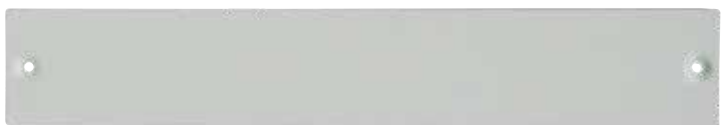
## Plinth Cover PRO Perforated



Covers for plinths of cabinet series PRO  
 Suitable for use at all 4 sides of the plinth (front/rear/left/right)  
 Material steel sheet  
 Paint finish RAL7035, light grey / RAL9005, jet black  
 Scope of delivery: 1 cover incl. mounting accessories

Art.-No.	Description	For Cabinet Width	For Cabinet Depth	Colour
PRO-SOB06P.GR	Plinth Cover PRO Perforated, W/D=600 mm, RAL7035	600 mm	600 mm	RAL7035
PRO-SOB08P.GR	Plinth Cover PRO Perforated, W/D=800 mm, RAL7035	800 mm	800 mm	RAL7035
PRO-SOB10P.GR	Plinth Cover PRO Perforated, W/D=1000 mm, RAL7035	1000 mm	1000 mm	RAL7035
PRO-SOB12P.GR	Plinth Cover PRO Perforated, W/D=1200 mm, RAL7035	1200 mm	1200 mm	RAL7035
PRO-SOB06P.TS	Plinth Cover PRO Perforated, W/D=600 mm, RAL9005	600 mm	600 mm	RAL9005
PRO-SOB08P.TS	Plinth Cover PRO Perforated, W/D=800 mm, RAL9005	800 mm	800 mm	RAL9005
PRO-SOB10P.TS	Plinth Cover PRO Perforated, W/D=1000 mm, RAL9005	1000 mm	1000 mm	RAL9005
PRO-SOB12P.TS	Plinth Cover PRO Perforated, W/D=1200 mm, RAL9005	1200 mm	1200 mm	RAL9005

## Plinth Cover PRO Full



Covers for plinths of cabinet series PRO  
 Suitable for use at all 4 sides of the plinth (front/rear/left/right)  
 Material steel sheet  
 Paint finish RAL7035, light grey / RAL9005, jet black  
 Scope of delivery: 1 cover incl. mounting accessories

Art.-No.	Description	For Cabinet Width	For Cabinet Depth	Colour
PRO-SOB06V.GR	Plinth Cover PRO Full, W/D=600 mm, RAL7035	600 mm	600 mm	RAL7035
PRO-SOB08V.GR	Plinth Cover PRO Full, W/D=800 mm, RAL7035	800 mm	800 mm	RAL7035
PRO-SOB10V.GR	Plinth Cover PRO Full, W/D=1000 mm, RAL7035	1000 mm	1000 mm	RAL7035
PRO-SOB12V.GR	Plinth Cover PRO Full, W/D=1200 mm, RAL7035	1200 mm	1200 mm	RAL7035
PRO-SOB06V.TS	Plinth Cover PRO Full, W/D=600 mm, RAL9005	600 mm	600 mm	RAL9005
PRO-SOB08V.TS	Plinth Cover PRO Full, W/D=800 mm, RAL9005	800 mm	800 mm	RAL9005
PRO-SOB10V.TS	Plinth Cover PRO Full, W/D=1000 mm, RAL9005	1000 mm	1000 mm	RAL9005
PRO-SOB12V.TS	Plinth Cover PRO Full, W/D=1200 mm, RAL9005	1200 mm	1200 mm	RAL9005

## Tilt Protection, Slideable, for PRO



Tilt protection for plinths of cabinet series PRO  
 Consisting of extendable support frame and two guide rails  
 Suitable for plinth heights 100 mm and 200 mm  
 Material steel sheet  
 Paint finish RAL7035, light grey / RAL9005, jet black  
 Included in delivery: 1 x tilt protection incl. mounting accessories

Art.-No.	Description	For Cabinet Width	For Cabinet Depth	Colour
PRO-KIS60.GR	Tilt Protection, Slideable, W=600 mm, RAL7035	600 mm	1000 mm	RAL7035
PRO-KIS80.GR	Tilt Protection PRO, Slideable, W=600 mm, RAL9005	800 mm	1000 mm	RAL7035
PRO-KIS60.TS	Tilt Protection, Slideable, W=800 mm, RAL7035	600 mm	1000 mm	RAL9005
PRO-KIS80.TS	Tilt Protection PRO, Slideable, W=800 mm, RAL9005	800 mm	1000 mm	RAL9005

## Vibration Damper for PRO



Vibration damper for use under the plinths of cabinet series PRO  
 Additional fixing of the plinth corners at the floor is recommended  
 Suitable for use with plinths corners PRO-SOE100F.xx and PRO-SOE200F.xx  
 Material rubber  
 Included in delivery 4 x vibration damper

Art.-No.	Description
PRO-VIB01	Vibration Damper, Set 4 Pieces, for Cabinet Series PRO

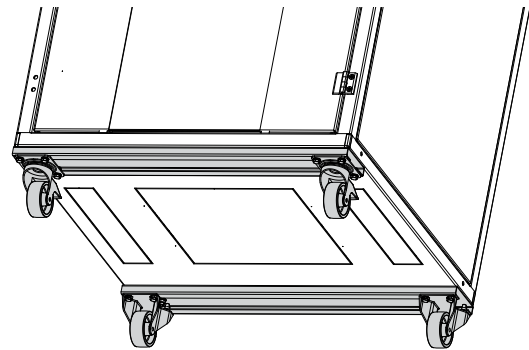
## Castor Set for PRO, Max. Load 400 kg



Castor set for cabinet series PRO  
 Max. load 400 kg  
 Scope of delivery: 2 x castor without brake, 2 x castor with brake, mounting accessories

Art.-No.	Description
PRO-ROL01	Castor Set 400 kg for Cabinet Series PRO

## Castor Set for PRO, Max. Load 600 kg

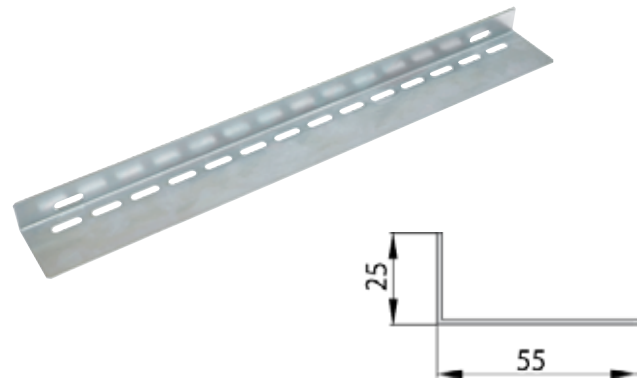


Castor set for cabinet series PRO  
 Max. load 600 kg  
 Scope of delivery: 2 x castor without brake, 2 x castor with brake, 2 x support rail, mounting accessories

Art.-No.	Description
PRO-ROL026.GR	Castor Set 600 kg, for W=600 mm, for Cabinet Series PRO
PRO-ROL028.GR	Castor Set 600 kg, for W=800 mm, for Cabinet Series PRO

## Heavy-Duty Sliding Rails PRO

For mounting of heavy devices in network or server cabinets  
 Mounting at the front and rear-sided 19" profiles  
 Max. load 100 kg  
 Material steel sheet  
 PU 2 pieces



Art.-No.	Depth	Cabinet Depth	Max. Load
PRO-SGL06	350 mm	600 mm	100 kg
PRO-SGL08	550 mm	800 mm	100 kg
PRO-SGL10	750 mm	1000 mm	100 kg

## Module Closed for Opening A



Module insert for cabinet bottom in cabinet series PRO  
 Suitable for openings type A (380 x 380 mm in cabinet bottom)  
 Material steel sheet  
 Paint finish RAL7035, light grey / RAL9005, jet black  
 Delivery incl. mounting accessories

Art.-No.	Description	For Opening	Colour
PRO-MOD01A.GR	Closed module	380 mm x 380 mm	RAL7035
PRO-MOD01A.TS	Closed module	380 mm x 380 mm	RAL9005

## Module with Perforation for Opening A



Module for use in the cabinet bottom in cabinet series PRO  
 Air inlet via perforation  
 Suitable for opening type A (380 x 380 mm in cabinet bottom)  
 Material steel sheet  
 Paint finish RAL7035, light grey / RAL9005, jet black

Art.-No.	Description	For Opening	Colour
PRO-MOD02A.GR	Module with Perforation	380 mm x 380 mm	RAL7035
PRO-MOD02A.TS	Module with Perforation	380 mm x 380 mm	RAL9005

## Module with Filter Mat for Opening A



Module insert for cabinet bottom in cabinet series PRO  
 Air inlet via filter mat  
 Suitable for opening type A (380 x 380 mm in cabinet bottom)  
 Material steel sheet  
 Paint finish RAL7035, light grey / RAL9005, jet black

Art.-No.	Description	For Opening	Colour
PRO-MOD03A.GR	Module with Filter Mat	380 mm x 380 mm	RAL7035
PRO-MOD03A.TS	Module with Filter Mat	380 mm x 380 mm	RAL9005

## Module with Brush Entry for Opening A



Module insert for cabinet bottom in cabinet series PRO  
 Cable entry via brush  
 Suitable for opening type B (380 x 380 mm in cabinet bottom)  
 Material steel sheet  
 Paint finish RAL7035, light grey / RAL9005, jet black

Art.-No.	Description	For Opening	Colour
PRO-MOD04A.GR	Module with Brush Entry	380 mm x 380 mm	RAL7035
PRO-MOD04A.TS	Module with Brush Entry	380 mm x 380 mm	RAL9005

## Module w. Foam Entry for Opening A



Module insert for cabinet bottom in cabinet series PRO  
 Cable entry via foam strip  
 Suitable for opening type A (380 x 380 mm in cabinet bottom)  
 Material steel sheet  
 Paint finish RAL7035, light grey / RAL9005, jet black

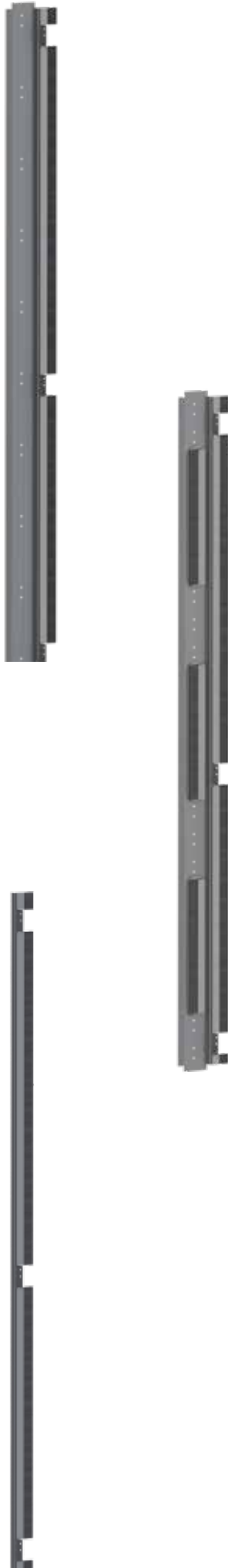
Art.-No.	Description	For Opening	Colour
PRO-MOD05A.GR	Module with Foam Entry	380 mm x 380 mm	RAL7035
PRO-MOD05A.TS	Module with Foam Entry	380 mm x 380 mm	RAL9005

## Module with Filter and Brush for Opening A



Module insert for cabinet bottom in cabinet series PRO  
 Air inlet via filter mat, cable entry via brush  
 Suitable for opening type A (380 x 380 mm in cabinet bottom)  
 Material steel sheet  
 Paint finish RAL7035, light grey / RAL9005, jet black

Art.-No.	Description	For Opening	Colour
PRO-MOD06A.GR	Module with Filter + Brush	380 mm x 380 mm	RAL7035
PRO-MOD06A.TS	Module with Filter + Brush	380 mm x 380 mm	RAL9005



## Side Cover for Air Control for Width 800

For covering the area beside the 19" profiles in network- and server cabinets PRO in width 800 mm  
 Serves as blinding and control of the air flow  
 Mounting left- and right-sided possible  
 Screw mounting on the lateral depth-rails  
 Material steel sheet  
 Paint finish RAL7035, light grey / RAL9005, jet black  
 Scope of delivery: 2 x panel incl. mounting accessories

Art.-No.	Description	Colour
PRO-SA0428.GR	Side Cover / Air Baffle for PRO 42U W=800, 2 Pcs.	RAL7035
PRO-SA0478.GR	Side Cover / Air Baffle for PRO 47U W=800, 2 Pcs.	RAL7035
PRO-SA0428.TS	Side Cover / Air Baffle for PRO 42U W=800, 2 Pcs.	RAL9005
PRO-SA0478.TS	Side Cover / Air Baffle for PRO 47U W=800, 2 Pcs.	RAL9005

## Side Cover with Cable Openings for Width 800

For covering the area beside the 19" profiles in network- and server cabinets PRO in width 800 mm  
 With 3 openings for throughput of cables  
 Serves as blinding and control of the air flow  
 Mounting left- and right-sided possible  
 Screw mounting on the lateral depth-rails  
 Material steel sheet  
 Paint finish RAL7035, light grey / RAL9005, jet black  
 Scope of delivery: 2 x panel incl. mounting accessories

Art.-No.	Description	Colour
PRO-SA3428.GR	Side Cover with 3 Openings for PRO 42U W=800, 2 Pcs.	RAL7035
PRO-SA3478.GR	Side Cover with 3 Openings for PRO 47U W=800, 2 Pcs.	RAL7035
PRO-SA3428.TS	Side Cover with 3 Openings for PRO 42U W=800, 2 Pcs.	RAL9005
PRO-SA3478.TS	Side Cover with 3 Openings for PRO 47U W=800, 2 Pcs.	RAL9005

## Side Cover for Air Control for Width 600

For covering the area beside the 19" profiles in network- and server cabinets PRO in width 600 mm  
 Serves as blinding and control of the air flow  
 Mounting left- and right-sided possible  
 Screw mounting on the lateral depth-rails  
 Material steel sheet  
 Paint finish RAL7035, light grey / RAL9005, jet black  
 Scope of delivery: 2 x panel incl. mounting accessories

Art.-No.	Description	Colour
PRO-SA0426.GR	Side Cover / Air Baffle for PRO 42U W=600, 2 Pcs.	RAL7035
PRO-SA0476.GR	Side Cover / Air Baffle for PRO 47U W=600, 2 Pcs.	RAL7035
PRO-SA0426.TS	Side Cover / Air Baffle for PRO 42U W=600, 2 Pcs.	RAL9005
PRO-SA0476.TS	Side Cover / Air Baffle for PRO 47U W=600, 2 Pcs.	RAL9005

## Side Cover for Cabinet Series PRO, Width 800 mm Horizontal Brush for PRO

Side cover for cabinets PRO in width 800 mm  
 For mounting at the lateral depth rails  
 Material steel sheet  
 Paint finish RAL7035, light grey / RAL9005, jet black



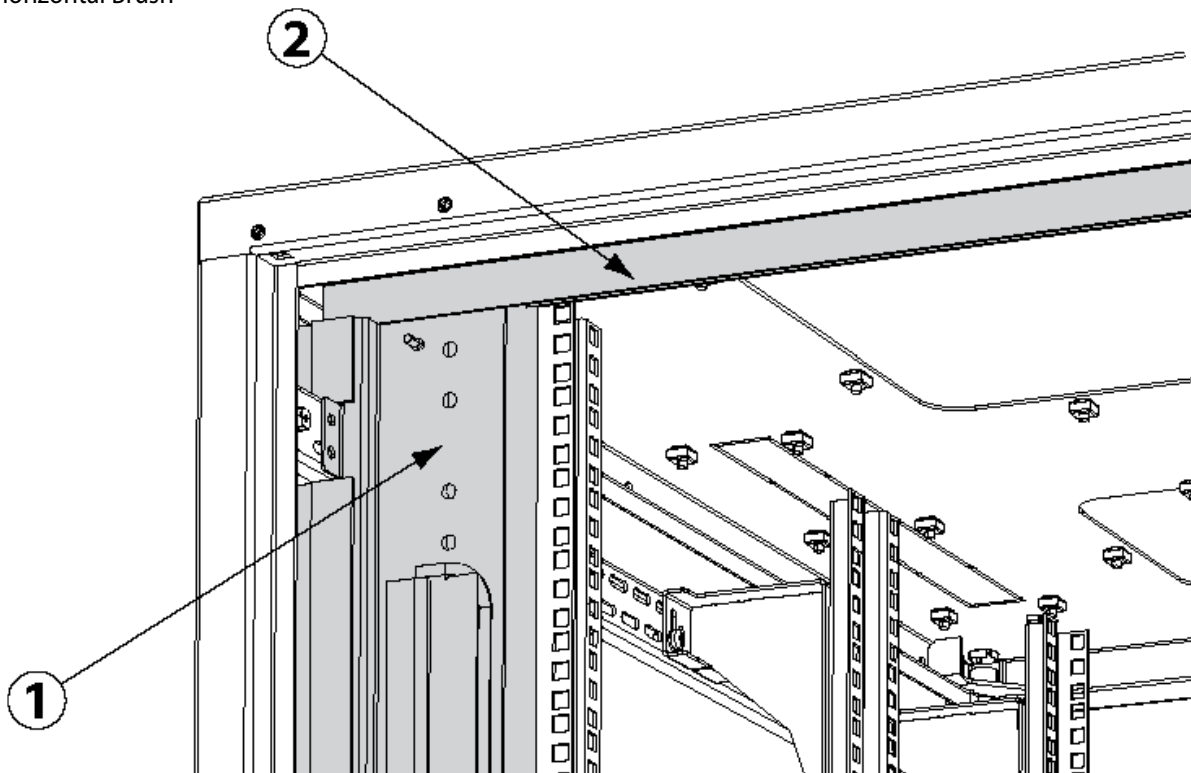
For control of the cold air flow upside and below of the 19" level  
 Mounting below resp. upside of the cabinet roof and bottom  
 Scope of delivery 1 x brush



Art.-No.	Description	Colour
PRO-SIB42.GR	Side Cover for PRO 42U, W=800, 2 Pcs.	RAL7035
PRO-SIB47.GR	Side Cover for PRO 47U, W=800, 2 Pcs.	RAL7035
PRO-SIB42.TS	Side Cover for PRO 42U, W=800, 2 Pcs.	RAL9005
PRO-SIB47.TS	Side Cover for PRO 47U, W=800, 2 Pcs.	RAL9005

Art.-No.	Description	Colour
PRO-HOB600	Horizontal Brush for PRO, W=600 mm	Black
PRO-HOB800	Horizontal Brush for PRO, W=800 mm	Black

2 - Horizontal Brush

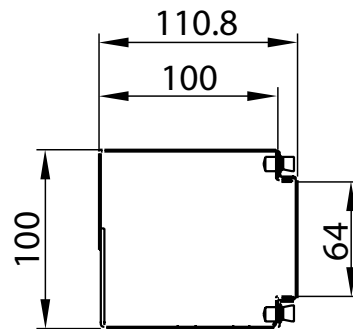


1 - Side Cover with Cable Opening

## Vertical Cable Management



For vertical cable routing in network and server cabinets PRO  
 Mounting at the horizontal depth rails left- and right-sided in cabinet  
 Incl. removable front cover with quick fastener



Art.-No.	Description	U	Width	Depth	Colour
PRO-VKM42.GR	Vertical Cable Management	42	100 mm	111 mm	RAL7035
PRO-VKM47.GR	Vertical Cable Management	47	100 mm	111 mm	RAL7035
PRO-VKM42.TS	Vertical Cable Management	42	100 mm	111 mm	RAL9005
PRO-VKM47.TS	Vertical Cable Management	47	100 mm	111 mm	RAL9005

## SHELVES AND FURTHER 19" ACCESSORIES

LEARN MORE:

[www.efb-elektronik.de/en/cabinetsystems/interior-accessories-and-cable-management](http://www.efb-elektronik.de/en/cabinetsystems/interior-accessories-and-cable-management)

## Vertical Cable Tray for 40-42U, Grid

For vertical cable routing in the cabinet

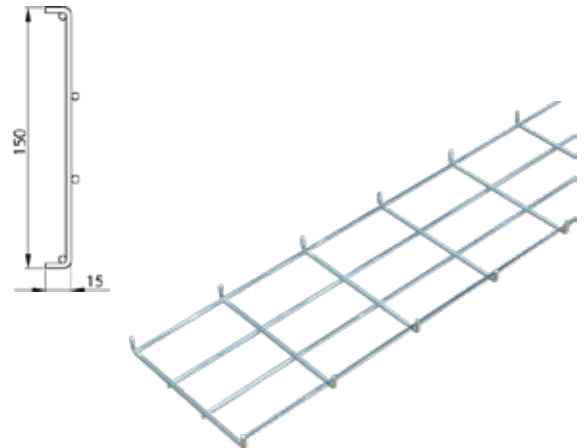
Mounting at the lateral depth rails

**Note:** for 600 mm cabinet width the cable tray fits in the space between depth rail and side wall

Other U-types available on request

Material steel sheet, galvanised

Scope of delivery: 1 x cable tray incl. mounting accessories



Art.-No.	Description	Depth	Width
PRO-KRI42G	Vertical Cable Tray for 40-42U, Galvanised	15 mm	150 mm

## Vertical Cable Tray, Steel Sheet

For vertical cable routing in the cabinet

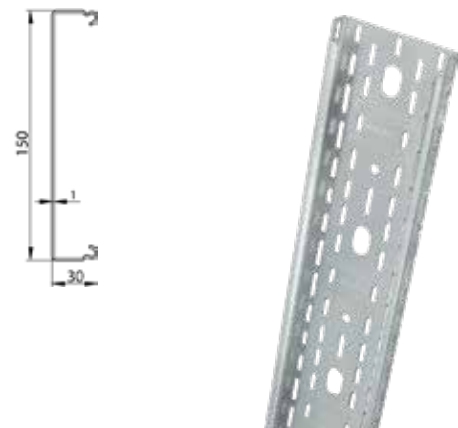
Mounting at the lateral depth rails

**Note:** for 600 mm cabinet width only mountable at the inner side of the depth rail (not between depth rail and side wall)

Other U-types available on request

Material steel sheet, galvanised

Scope of delivery: 1 x cable tray incl. mounting accessories



Art.-No.	Description	Depth	Width
PRO-KRI42B	Vertical Cable Tray, Steel Sheet	30 mm	150 mm

## Mounting Plate for 42U, Cabinet Width 800 mm

For mounting of various devices in the cabinet

Material steel sheet Aluzinc, 3 mm

Delivery incl. mounting material



Art.-No.	Description
PRO-MOP428	Mounting Plate for 42U



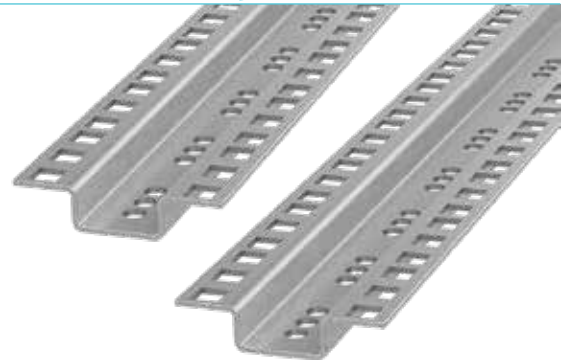
### 19" Profile Rails for Cabinet Series PRO, Set 2 Pieces



For Retrofitting in network and server cabinets PRO  
 Double-contrariwise numbering of the rack units  
 For cabinet width 800 mm outriggers are necessary for mounting  
 Material steel, galvanised

Art.-No.	Description
PRO-PRO18	Profile Rail for 18U, Set 2 Pieces, for Cabinet Series PRO
PRO-PRO24	Profile Rail for 24U, Set 2 Pieces, for Cabinet Series PRO
PRO-PRO33	Profile Rail for 33U, Set 2 Pieces, for Cabinet Series PRO
PRO-PRO42	Profile Rail for 42U, Set 2 Pieces, for Cabinet Series PRO
PRO-PRO47	Profile Rail for 47U, Set 2 Pieces, for Cabinet Series PRO

### Middle Profiles for PRO, Set of 2 Pieces



Vertical middle profile for support of heavy devices  
 Mounting between the front and rear 19" level  
 Material steel, galvanised

Art.-No.	Description
PRO-MPR24	Middle Profile for 24U, Set 2 Pieces, for Cabinet Series PRO
PRO-MPR33	Middle Profile for 33U, Set 2 Pieces, for Cabinet Series PRO
PRO-MPR42	Middle Profile for 42U, Set 2 Pieces, for Cabinet Series PRO
PRO-MPR47	Middle Profile for 47U, Set 2 Pieces, for Cabinet Series PRO

### Depth Rails Set, 2 Pieces



For mounting of profile rails, ducts or cable trays in cabinet series PRO  
 Material Aluzinc  
 Included in delivery: 2 x depth rails incl. mounting accessories

Art.-No.	Description	For Cabinet Depth
PRO-TST06	Depth Rails Set, 2 Pieces	600 mm
PRO-TST08	Depth Rails Set, 2 Pieces	800 mm
PRO-TST10	Depth Rails Set, 2 Pieces	1000 mm
PRO-TST12	Depth Rails Set, 2 Pieces	1200 mm

### Cantilever Set, 4 Pieces



For mounting of the 19" profile rails in cabinets width 800 mm  
 For each profile 2 outriggers are necessary  
 Material Aluzinc diecast  
 Delivery incl. mounting accessories

Art.-No.	Description
PRO-AUS01	Cantilever Set, 4 Pieces

# STANDING CABINET OFFICE: THE SMALL OFFICE JEWEL

The OFFICE series cabinets is the ideal place to store equipment in smaller network installations e.g. in the office. Due to the manifold design options, this type of cabinet can be integrated in almost every environment.

## BENEFITS FROM THE VERSATILITY:

- Small 19" standing cabinet from 12 to 18HE
- Various designed worktops as an option
- Can be used upright, suspended or as a roll container
- Acoustically insulated versions available
- Colours RAL7035, light grey and RAL9005, jet black

## DESIGN YOUR OWN CABINET

### INDIVIDUAL DESIGN

A floor cabinet does not fit optically into your office or homeoffice? - Then simply customize your personal cabinet of desire. The different colourways as well as worktops offer the possibility to match the cabinet ideal to your own environment.



LEARN MORE:

[www.efb-elektronik.de/en/pro](http://www.efb-elektronik.de/en/pro)

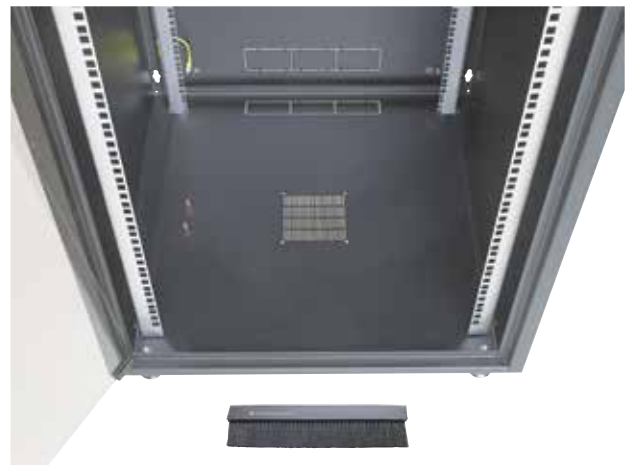
## 19" Network Cabinet OFFICE, RAL9005 (Jet Black)

Worktop available as accessory,  
please order separately! (see page 23)



Rear panel with cable entries  
(approx. 245 x 35 mm)

19" network cabinet according to DIN41494  
 Steel sheet housing, self-supporting, completely pre-assembled, self-ventilated  
 Inside front and rear 4 x 19" profiles (2 front, 2 rear-sided), galvanised, step-less depth-adjustable  
 Front door full glass, 1-part (thickness 4 mm)  
 Front door with 1-point latch-locking  
 Door stop possible left or right-sided  
 Bottom and rear with pre-punched openings for cable entry  
 Roof and bottom prepared for accommodation of 1 x fan unit (Art.-No. 691664)  
 Internal earthing of all cabinet sections  
 Paint finish RAL7035, light grey / RAL9005, jet black  
 Max. load 12U 30 kg, 15U 38 kg, 18U 45 kg  
 Protection degree IP20  
 Included in delivery: 1 x brush, 4 x leveling feet M8, 2 x key  
 Delivery in transport packaging on disposable pallet



Cabinet bottom and roof with fan holder and  
pre-punched cable entries

Art.-No.	U	Width	Depth	Height	Front Door	Rear Door
OFF-1266TS.V1RW	12	600 mm	600 mm	604 mm	Full glass door 1-part	Rear wall
OFF-1566TS.V1RW	15	600 mm	600 mm	737 mm	Full glass door 1-part	Rear wall
OFF-1568TS.V1RW	15	600 mm	800 mm	737 mm	Full glass door 1-part	Rear wall
OFF-1866TS.V1RW	18	600 mm	600 mm	871 mm	Full glass door 1-part	Rear wall
OFF-1868TS.V1RW	18	600 mm	800 mm	871 mm	Full glass door 1-part	Rear wall

## 19" Network Cabinet OFFICE, RAL7035

19" network cabinet according to DIN41494  
 Steel sheet housing, self-supporting, completely pre-assembled, self-ventilated  
 Inside front and rear 4 x 19" profiles (2 front, 2 rear-sided), galvanised, step-less depth-adjustable  
 Front door full glass, 1-part (thickness 4 mm)  
 Front door with 1-point latch-locking  
 Door stop possible left or right-sided  
 Bottom and rear with pre-punched openings for cable entry  
 Roof and bottom prepared for accommodation of 1 x fan unit (Art.-No. 691664)  
 Internal earthing of all cabinet sections  
 Paint finish RAL7035, light grey / RAL9005, jet black  
 Max. load 12U 30 kg, 15U 38 kg, 18U 45 kg  
 Protection degree IP20  
 Included in delivery: 1 x brush, 4 x leveling feet M8, 2 x key  
 Delivery in transport packaging on disposable pallet

Worktop and 19" accessories not included, please order separately! (see page 30)



Art.-No.	U	Width	Depth	Height	Front Door	Rear Door
OFF-1266GR.V1RW	12	600 mm	600 mm	604 mm	Full glass door 1-part	Rear wall
OFF-1566GR.V1RW	15	600 mm	600 mm	737 mm	Full glass door 1-part	Rear wall
OFF-1568GR.V1RW	15	600 mm	800 mm	737 mm	Full glass door 1-part	Rear wall
OFF-1866GR.V1RW	18	600 mm	600 mm	871 mm	Full glass door 1-part	Rear wall
OFF-1868GR.V1RW	18	600 mm	800 mm	871 mm	Full glass door 1-part	Rear wall



Front



Rear panel with cable entries  
(approx. 245 x 35 mm)

## 19" Network Cabinet OFFICE - Acoustically Insulated



Interior lined with acoustic foam  
Door with rubber seal



Roof prepared with single fan



19" network cabinet according to DIN41494  
 Steel sheet housing, self-supporting, completely pre-assembled, self-ventilated  
 Inside front and rear 4 x 19" profiles (2 front, 2 rear-sided), galvanised, step-less depth-adjustable  
 Front door full glass, 1-part (thickness 4 mm)  
 Front door with 1-point latch-locking  
 Door stop possible left or right-sided  
 Bottom and rear with pre-punched openings for cable entry  
 Roof and bottom prepared for accommodation of 1 x fan unit (Art.-No. 691664)  
 Internal earthing of all cabinet sections  
 Paint finish RAL7035, light grey / RAL9005, jet black  
 Protection degree IP20  
 Included in delivery: 1 x brush, 4 x leveling feet M8, 2 x key  
 Delivery in transport packaging on disposable pallet

Art.-No.	U	Width	Depth	Height	Front Door	Rear Door	Colour
OFF-1866TS.V1RW-AK	18	600 mm	600 mm	871 mm	Full glass door 1-part	Rear wall	RAL9005

## Worktop for OFFICE, Calvados

Attractive worktop for mounting on the cabinet roof  
 Material MDF, laminated, thickness 18 mm  
 Paint finish calvados  
 Delivery incl. mounting accessories



Art.-No.	Description
OFF-ARB66.CV	Worktop for OFFICE 600 x 600 mm, Calvados
OFF-ARB68.CV	Worktop for OFFICE 600 x 800 mm, Calvados

## Worktop for OFFICE, Grey

Attractive worktop for mounting on the cabinet roof  
 Material MDF, laminated, thickness 18 mm  
 Paint finish grey  
 Delivery incl. mounting accessories



Art.-No.	Description
OFF-ARB66.GR	Worktop for OFFICE 600 x 600 mm, Grey
OFF-ARB68.GR	Worktop for OFFICE 600 x 800 mm, Grey

## Worktop for OFFICE, Black

Attractive worktop for mounting on the cabinet roof  
 Material MDF, laminated, thickness 18 mm  
 Paint finish black  
 Delivery incl. mounting accessories



Art.-No.	Description
OFF-ARB66.TS	Worktop for OFFICE 600 x 600 mm, Black
OFF-ARB68.TS	Worktop for OFFICE 600 x 800 mm, Black

## Castor Set for OFFICE



Plastic castors with steel thread bolt M8  
 Height 68 mm (without thread bolt)  
 Scope of delivery: 2 x castor with brake, 2 x castor without brake

Art.-No.	Description
OFF-ROL01	Castor Set for Cabinet Series OFFICE

## Set for Raising the Worktop



For raising the worktop to 19 mm above the roof  
 Necessary for mounting of fans if worktop is used  
 Optimisation of cabinet ventilation  
 Scope of delivery: 4 x distance sleeve, 4 x screw M6 x 30, 4 x washer

Art.-No.	Description
OFF-ARB01	Set for Raising the Worktop

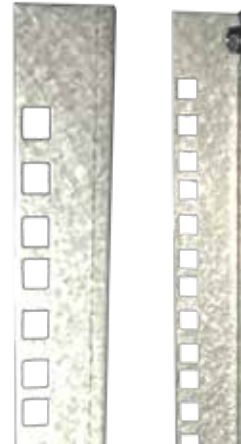
### Front Door for OFFICE W=600, Full Glass, 1-Part, Latch



One part glass door for cabinet series OFFICE  
 Material certified safety glass, thickness 4 mm  
 Door stop possible right and left-sided  
 Scope of delivery: 1 x door incl. latch locking, hinges, key

Art.-No.	U	Width	Front door
OFF-TUR126V1	12	600 mm	Full glass door 1-part
OFF-TUR156V1	15	600 mm	Full glass door 1-part
OFF-TUR186V1	18	600 mm	Full glass door 1-part

### 19" Profile Rails for OFFICE, Set 2 Pieces



Profile rails for cabinet series OFFICE  
 Suitable as addition or as replacement

Art.-No.	Description
OFF-PRO12	OFFICE Profile Rails for 12U, Set 2 Pieces
OFF-PRO15	OFFICE Profile Rails for 15U, Set 2 Pieces
OFF-PRO18	OFFICE Profile Rails for 18U, Set 2 Pieces

# SUBSCRIBE-LIKE-FOLLOW

## NEWSLETTER

### DOWNLOAD-AREA



- Catalogues & Brochures
- certificates
- declarations of performance
- Info & support material



- Latest News
- Practical & diverse
- Free and up-to-date
- Worth knowing, Highlights & Events

### BLOG



- Well-founded specialist knowledge from our experts
- All about data network technology

### FACEBOOK



### XING



LinkedIn as of 2020



### YOUTUBE

## WALL HOUSINGS



LEARN MORE:

[www.efb-elektronik.de/en/cabinetsystems/wall-housings](http://www.efb-elektronik.de/en/cabinetsystems/wall-housings)



## POWER SUPPLY



LEARN MORE:

[www.efb-elektronik.de/en/cabinetsystems/power-supply](http://www.efb-elektronik.de/en/cabinetsystems/power-supply)



## CLIMATISATION AND LIGHTING



LEARN MORE:

[www.efb-elektronik.de/en/cabinetsystems/climatisation-and-lighting](http://www.efb-elektronik.de/en/cabinetsystems/climatisation-and-lighting)



DISCOVER OUR MANIFOLD PRODUCT RANGE!



# TECHNICAL DOCUMENTATION

## 19" NETWORK/SERVER CABINETS PRO



### TECHNICAL DOCUMENTATION

Details fans, filters, cable entry .....	34
Line-up of several cabinets.....	35
Disassembly of the cabinet frame .....	36-38
Max. loads, materials & thicknesses .....	38
Depth adjustment and depth rails.....	39
Ordering data network/distribution variants .....	40
Ordering data server variants.....	41
Ordering data modular frames (Open Rack).....	42
Door and side walls.....	43
Modular plinth system, sets + examples.....	44-45
Drawings cabinets network/server .....	46
Drawings cabinet 47U 800x1200 mm.....	47
Drawings roof W=800 mm.....	48
Drawings roof W=600 mm.....	49
Drawings floor W=800 mm.....	50
Drawings floor W=600 mm.....	51

## 19" Network-/Server Cabinets PRO - Details Cabinet Roof and Bottom

Centrally located the pre-punched opening for accommodation of fan units 380 x 380 mm.

Fan units are available as 2-fan and 4-fan variants. The thermostat is already mounted in the fan housing.

Cabinet roof in variant 800 x 800 mm with 4 surrounding, pre-punched cable entries (450 x 90 mm). On demand these are coverable with dummy plates 19" 2U.

(Depth 1200 mm: 6 surrounding cable entries, see drawings)

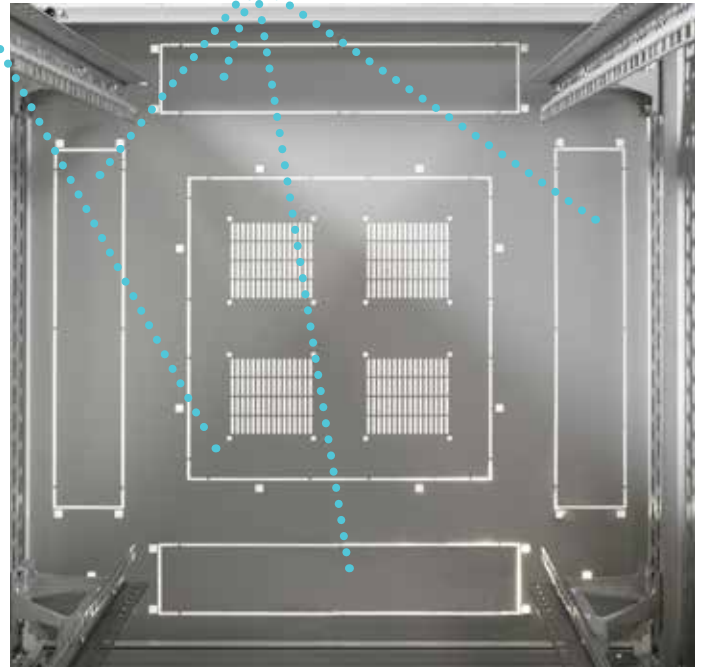
Step switch for „Silent“ and „Normal“ mode (4-way variant only)



PRO-LFD04AT.GR



PRO-LFD02AT.GR



Variante	Volume flow	Noise level	Remark	Rated power	Degree of protection
4-fold fan	660 m³/h (Silent-Mode: 330 m³/h)	54 dB (Silent-Mode: 44 dB)	Switchable silent mode	88 W (Silent-Mode: 44 W)	IP20
2-fold fan	330 m³/h	48 dB		44 W	IP20

Pre-punched opening for filters / cable entries 380 x 380 mm. Diverse modules for filtering or cable entry are available.

Cabinet bottom in 800 x 800 mm variant. Each PRO series cabinet is delivered with a pre-assembled earthing bar.



PRO-MOD01.GR  
(Module closed)

PRO-MOD02.GR  
(Module with perforation)

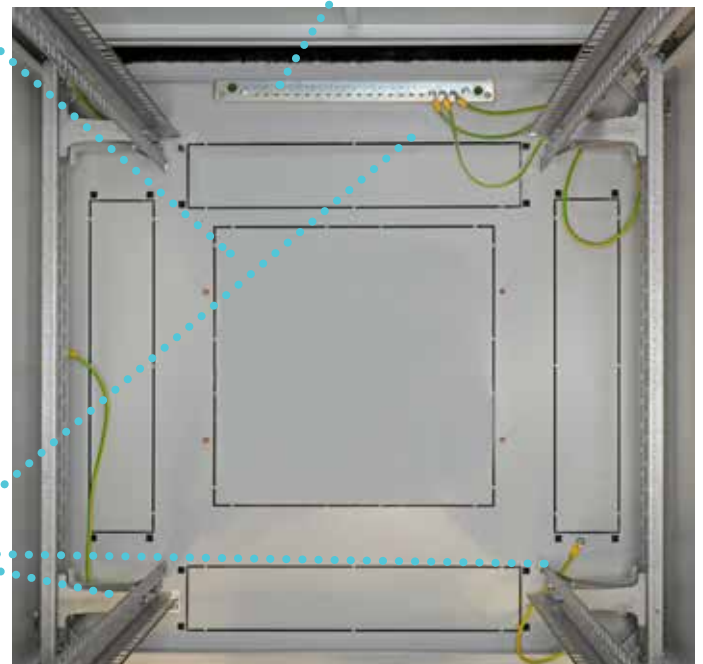
PRO-MOD03.GR  
(Module with filter mat)



PRO-MOD04.GR  
(Module with brush entry)



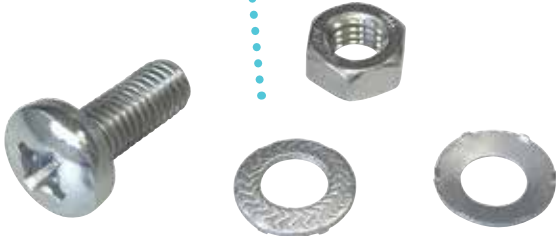
PRO-MOD05.GR  
(Module with foam entry)



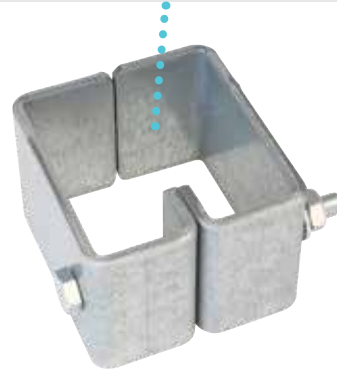
All cabinet parts are internally grounded. All earthing cables for doors and side wall are pre-assembled.

## 19" Network-/Server Cabinets PRO - Line-Up / Baying / Stacking of Cabinets

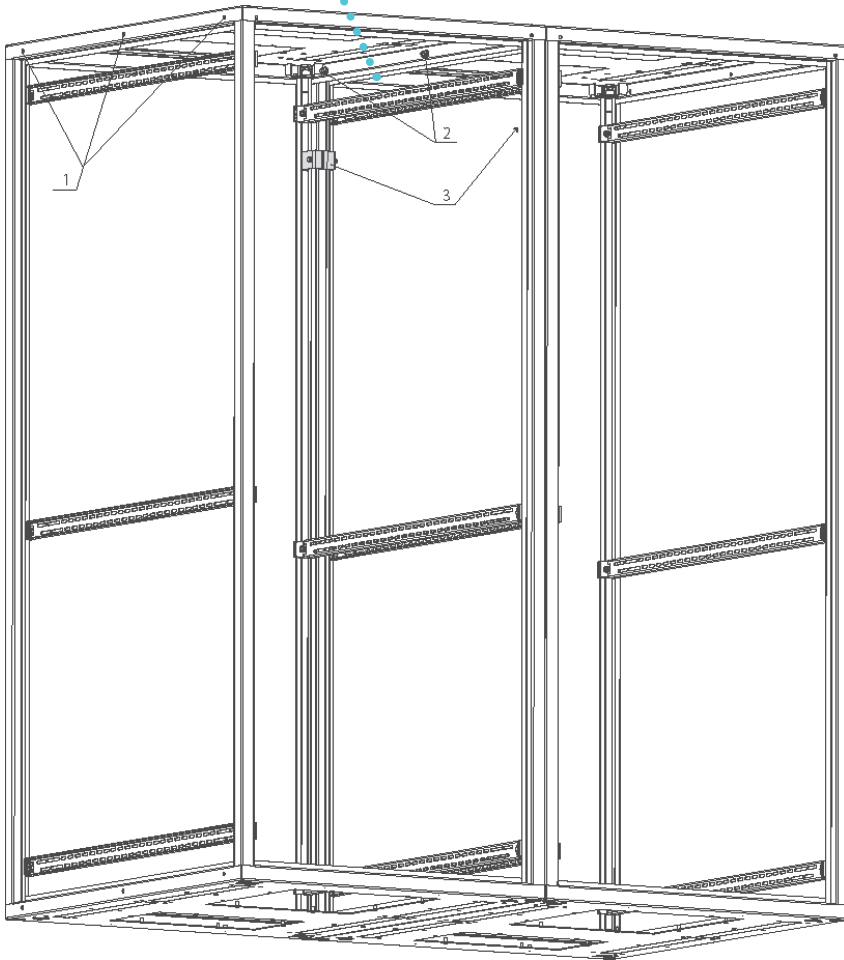
In principle, PRO Cabinets are screwable one-to-another on the frame with the line-up set PRO-ANR01. One set consists of 4 x M8 screw, 4 x M8 nut, 8 x washer



If the weight load of the cabinets is increased, the clamp connectors PRO-ANR02 also can be used. These cause a further stabilisation of the cabinet poles. 1 set contains 4 connectors.



Picture shows the use of both articles

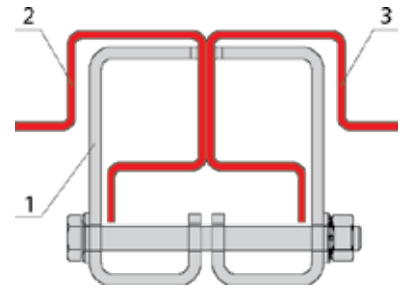


1 - Baying openings in the frame

3 - Additional clamp connectors

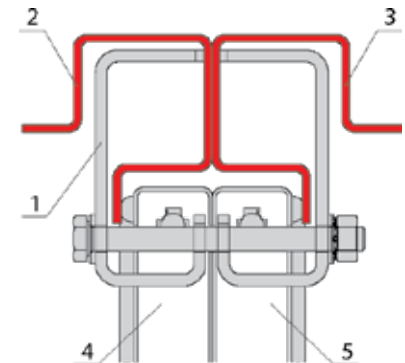
2 - Basic set (screws, nuts, washers)

Use of clamp connector without side walls



Use of clamp connector with side walls

Note:  
Therefore, the walls must be ordered and manufactured with holes or have to be drilled at construction side.



- 1 - Clamp connector
- 2 - Pole of left cabinet
- 3 - Pole of right cabinet
- 4 - Side wall of left cabinet
- 5 - Side wall of right cabinet

## 19" Network-/Server Cabinets PRO - Dismounting of the Rack Frame I

Before removing the cabinet roof, all walls and doors should be dismantled from the cabinet frame.

Tip: First loosen only the lower screw of the upper hinge...



...and then remove both screws of the lower hinge. Finally loosen the remaining upper screw of the upper hinge and remove the front door.



TIP: „temporary storage“ of the screws in the threads of the poles prevent their loss



To remove the rear door, just pull the lower hinge pin out of the bearing sleeve. The upper pin remains mounted and is removed when removing the door out of the frame.

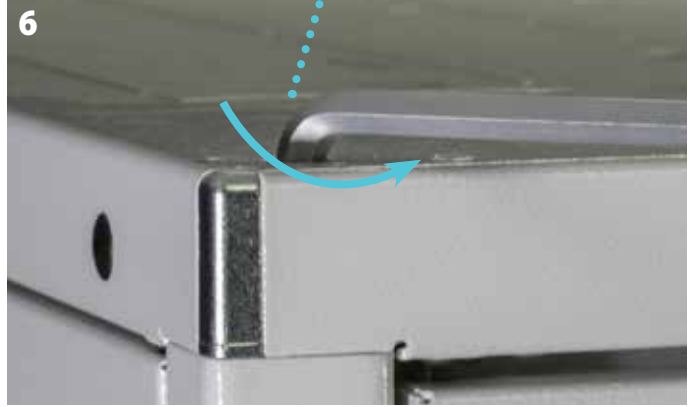


The cabinet frame of the PRO series is exceptionally fast to dismount: In the M12 thread of each cabinet corner (to insert levelling feet/transport eyelets) there is an additional hexagon socket screw size 8.

By loosening these only 4 screws each on the roof and the floor, all frame parts can be dismantled very easy and quickly. Due to the special construction these screws are captive.



View from the top of the cabinet roof with M12 thread and captive hexagon socket screw



Hexagon socket wrench size 8 Indicated  
Shown direction of rotation: loosen the screw.

## 19" Network/Server Cabinets PRO - Disassembly of Cabinet Rack II

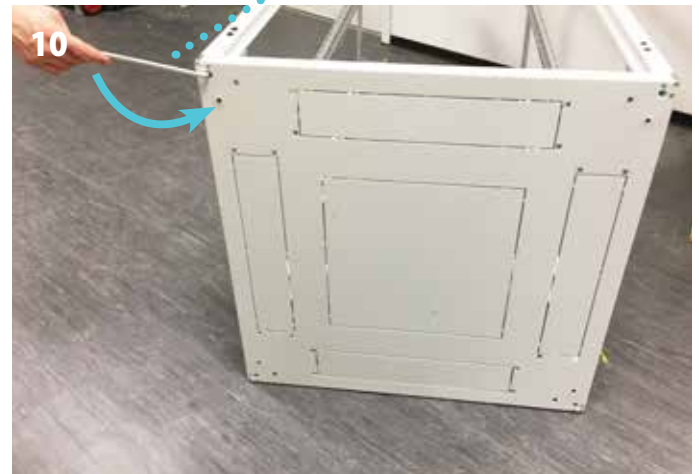
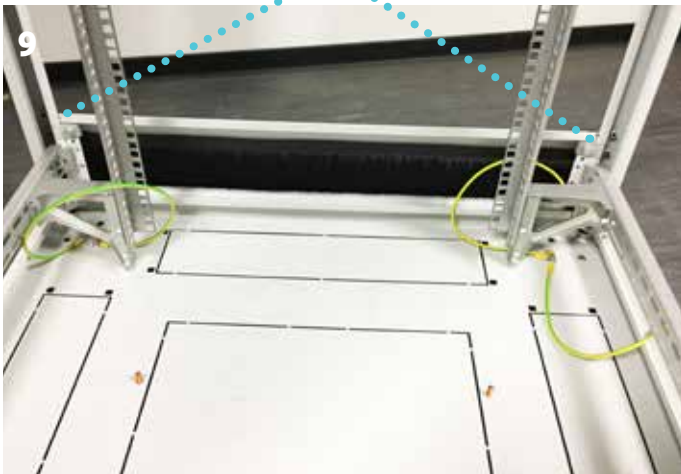
**Captive:** Due to the special construction of the corners, the screws for roof and floor are secured against loss even when loosened.

Now the cabinet roof can be lifted upwards and set aside.



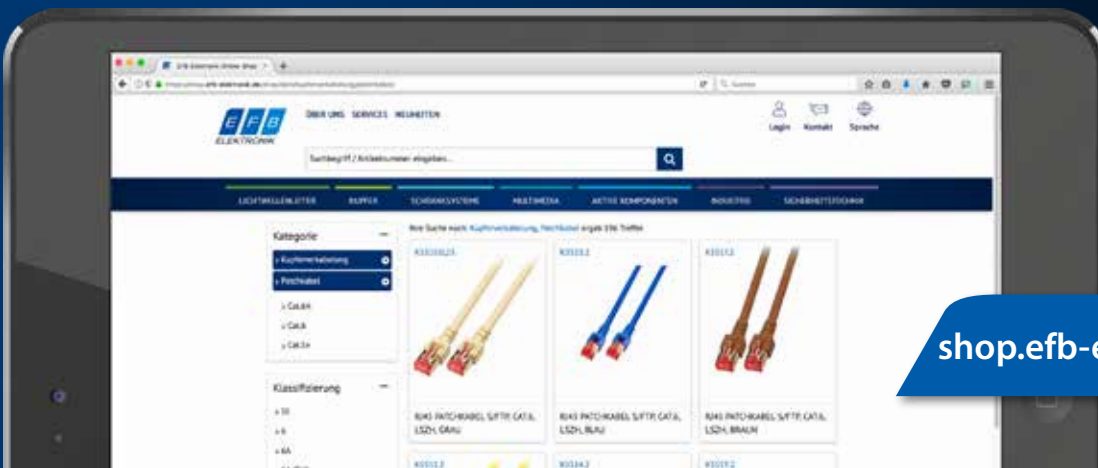
Before removing the cabinet bottom, the cable entry at the rear also should be removed.  
TIP: Do not loosen screws and brackets completely to prevent loss!

To loosen the bottom, place the cabinet on the front or rear side.  
**Important: Do not place the cabinet on the side parts!**  
Now loosen the bottom in the same way as for the roof.



For individual frame parts in disassembled condition, see next page!

# IN 3 STEPS TO THE PRODUCT OF DESIRE!



[shop.efb-elektronik.de/en](https://shop.efb-elektronik.de/en)



## 19" Network-/Server Cabinets PRO - Dismounting of the Rack Frame III + Further Technical Data



Also in dismounted condition the cabinet frame is consisting of only 4 parts:  
 1 x cabinet root (upside left), 1 x cabinet bottom (upside) as well as  
 2 x side frame (2 poles incl. 2 depth rails, 4 cantilevers and 4 x 19" profiles)



### Further Technical Data

#### Max. Loads:

- 1000 kg: for cabinets with depth 600 mm or 800 mm in all common heights for installation on the floor, leveling feet or plinth
- 1000 kg: for cabinets with depth 1000 mm or 1200 mm in height 24U for installation on the floor, leveling feet or plinth
- 1360 kg: for cabinets with depth 1000 mm or 1200 mm in heights > 24U for installation on the floor, leveling feet or plinth

#### Materials:

- Rack, side walls, steel doors, profiles, depth rails: steel sheet
- Glass door: safety glass (uncoloured), steel sheet
- outrigger: zinc-diecast
- Material thicknesses:
  - Cabinet poles (frame): 2 mm
  - Roof / bottom unit: 2 mm
  - Side walls: 1 mm
  - 19" profile rails: 2 mm
  - Glass door (sheet metal parts): 1.25 mm / glass thickness 5 mm (cert. safety glass)
  - Steel door + steel door, perforated: 1.5 mm
  - Steel door, shortened (rear door): 1 mm
  - 3U panel with brush strip: 1.5 mm
  - Module inserts with filter, cable entry etc.: 0.8 mm

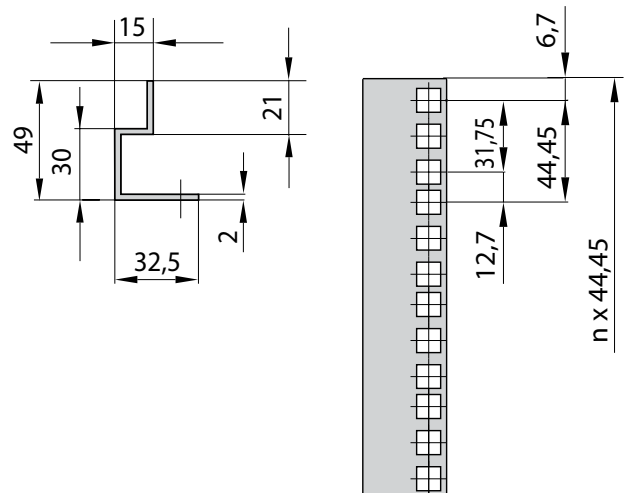
#### Protection Degree:

- IP20 according to EN60529

#### Surface treatment:

- Rack, side walls, doors: powder coated RAL7035 (light grey) resp. RAL9005 (jet black)
- Profile rails, depth-rails: galvanised

#### Technical Drawing 19" Profile Rails:



## 19" Network-/Server Cabinets PRO - Depth-Adjustment of the 19" Levels

### Mounting Dimension Front - Front („Rack Depth“) Cabinet Series PRO

For Cabinet Depth	600 mm	800 mm	1000 mm	1200 mm
Distance of the 19" levels in delivery condition	404 mm	604 mm	804 mm	1004 mm
Distance of the 19" levels to the door in delivery condition	ca. 100 mm	ca. 100 mm	ca. 100 mm	ca. 100 mm
Distance of the 19" levels maximum (at max. adjustment to outside)	480 mm	680 mm	880 mm	1080 mm
Distance of the 19" levels to the door (at max. adjustment to outside)	ca. 60 mm	ca. 60 mm	ca. 60 mm	ca. 60 mm

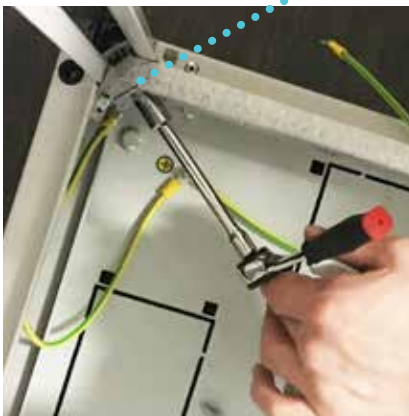
Due to the shifted long holes of the depth rails, 19" profiles are stepless depth-adjustable. This facilitates the installation of devices with individual installation depth (server, sliding rails etc.)



To adjust the 19" installation depth, loosen these two screws attached to the depth rail. The long holes of the depth rails allow fine adjustment, without the loosening screws/nuts completely.



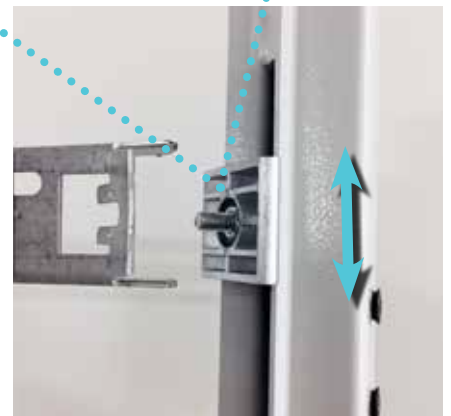
Loosening or fixing the depth rails from the clamp fastener on the frame via M6 nuts (wrench size 10 mm)



After removing the depth strut another M6 nut becomes visible. This is used to fix the clamp fastener to the pole.



After loosening the inner M6 nut, the clamp fastener can easily be moved on the pole to adjust the height of the depth rails.



## 19" Network-/Server Cabinets PRO - Network-/Distribution Variants



Network cabinet 42U, width 600 mm x depth 800 mm  
Front door glass 1-part, 3-point bar-locking / rear door steel 1-part, 2 x latch



Network cabinet 42U, width 800 mm x depth 800 mm  
Front door glass 1-part, 3-point bar-locking / rear door steel 1-part, 2 x latch

### Common Characteristics of Network-/Distribution Cabinets:

- Front door glass, 1-part with turning handle and 3-point bar-locking (> 24U), profile half-cylinder exchangeable / rear door steel, 1-part with 2 x latch locking
- 4 x 19" profile rails, max. load 1000 kg, pre-assembled earthing bar in the cabinet
- Paint finish RAL7035, light grey (RAL9005, jet black available on request)

### Ordering Data

Art.-No.	Width	Depth	Front Door	Rear Door	Colour	Weight
<b>18U / Cabinet height 896 mm</b>						
PRO-1866GR.G1SV	600 mm	600 mm	Glas door 1-part	Steel door 2 x latch	RAL7035, light grey	55 kg
PRO-1868GR.G1SV	600 mm	800 mm	Glas door 1-part	Steel door 2 x latch	RAL7035, light grey	60 kg
PRO-1888GR.G1SV	800 mm	800 mm	Glas door 1-part	Steel door 2 x latch	RAL7035, light grey	65 kg
<b>24U / Cabinet height 1163 mm</b>						
PRO-2466GR.G1SV	600 mm	600 mm	Glas door 1-part	Steel door 2 x latch	RAL7035, light grey	62 kg
PRO-2468GR.G1SV	600 mm	800 mm	Glas door 1-part	Steel door 2 x latch	RAL7035, light grey	77 kg
PRO-2488GR.G1SV	800 mm	800 mm	Glas door 1-part	Steel door 2 x latch	RAL7035, light grey	86 kg
<b>33U / Cabinet height 1563 mm</b>						
PRO-3366GR.G1SV	600 mm	600 mm	Glas door 1-part	Steel door 2 x latch	RAL7035, light grey	76 kg
PRO-3368GR.G1SV	600 mm	800 mm	Glas door 1-part	Steel door 2 x latch	RAL7035, light grey	84 kg
PRO-3388GR.G1SV	800 mm	800 mm	Glas door 1-part	Steel door 2 x latch	RAL7035, light grey	90 kg
<b>42U / Cabinet height 1963 mm</b>						
PRO-4266GR.G1SV	600 mm	600 mm	Glas door 1-part	Steel door 2 x latch	RAL7035, light grey	90 kg
PRO-4268GR.G1SV	600 mm	800 mm	Glas door 1-part	Steel door 2 x latch	RAL7035, light grey	102 kg
PRO-4260GR.G1SV	600 mm	1000 mm	Glas door 1-part	Steel door 2 x latch	RAL7035, light grey	105 kg
PRO-4286GR.G1SV	800 mm	600 mm	Glas door 1-part	Steel door 2 x latch	RAL7035, light grey	108 kg
PRO-4288GR.G1SV	800 mm	800 mm	Glas door 1-part	Steel door 2 x latch	RAL7035, light grey	120 kg
PRO-4280GR.G1SV	800 mm	1000 mm	Glas door 1-part	Steel door 2 x latch	RAL7035, light grey	125 kg
PRO-4282GR.G1SV	800 mm	1200 mm	Glas door 1-part	Steel door 2 x latch	RAL7035, light grey	130 kg
<b>47U / Cabinet height 2186 mm</b>						
PRO-4768GR.G1SV	600 mm	800 mm	Glas door 1-part	Steel door 2 x latch	RAL7035, light grey	120 kg
PRO-4788GR.G1SV	800 mm	800 mm	Glas door 1-part	Steel door 2 x latch	RAL7035, light grey	130 kg
PRO-4780GR.G1SV	800 mm	1000 mm	Glas door 1-part	Steel door 2 x latch	RAL7035, light grey	135 kg
PRO-4782GR.G1SV	800 mm	1200 mm	Glas door 1-part	Steel door 2 x latch	RAL7035, light grey	140 kg



## 19" Network-/Server Cabinets PRO - Server Variants



Server cabinet 42U, width 600 mm x depth 1000 mm  
Front- and rear door steel, perforated, 1-part with turning handle



Server cabinet 42U, width 800 mm x depth 1200 mm  
Front- and rear door steel, perforated, 1-part with turning handle

### Common Characteristics of Server Cabinet:

- Front and rear door steel, perforated (80 %), 1-part or 2-part with turning handle and 3-point bar locking, profile half-cylinder exchangeable
- 4 x 19" profile rails, max. load 1360 kg (> 24U), pre-assembled earthing bar in cabinet
- All variants available in RAL7035, light grey / RAL9005, jet black

### Ordering Data

Art.-No.	Width	Depth	Front Door	Rear Door	Colour	Weight
<b>42U / Cabinet Height 1963 mm</b>						
PRO-4260TS.P1	600 mm	1000 mm	Steel, perforated, 1-part	Steel, perforated, 1-part	RAL9005, jet black	100 kg
PRO-4262TS.P1	600 mm	1200 mm	Steel, perforated, 1-part	Steel, perforated, 1-part	RAL9005, jet black	115 kg
PRO-4288TS.P1	800 mm	800 mm	Steel, perforated, 1-part	Steel, perforated, 1-part	RAL9005, jet black	115 kg
PRO-4288TS.P1P2	800 mm	800 mm	Steel, perforated, 1-part	Steel, perforated, 2-part	RAL9005, jet black	123 kg
PRO-4288TS.P2	800 mm	800 mm	Steel, perforated, 2-part	Steel, perforated, 2-part	RAL9005, jet black	130 kg
PRO-4280TS.P1	800 mm	1000 mm	Steel, perforated, 1-part	Steel, perforated, 1-part	RAL9005, jet black	125 kg
PRO-4280TS.P2	800 mm	1000 mm	Steel, perforated, 2-part	Steel, perforated, 2-part	RAL9005, jet black	127 kg
PRO-4282TS.P1	800 mm	1200 mm	Steel, perforated, 1-part	Steel, perforated, 1-part	RAL9005, jet black	135 kg
PRO-4282TS.P1P2	800 mm	1200 mm	Steel, perforated, 1-part	Steel, perforated, 2-part	RAL9005, jet black	136 kg
PRO-4282TS.P2	800 mm	1200 mm	Steel, perforated, 2-part	Steel, perforated, 2-part	RAL9005, jet black	137 kg
<b>47U / Cabinet Height 2186 mm</b>						
PRO-4780TS.P1	800 mm	1000 mm	Steel, perforated, 1-part	Steel, perforated, 1-part	RAL9005, jet black	130 kg
PRO-4780TS.P1P2	800 mm	1000 mm	Steel, perforated, 1-part	Steel, perforated, 2-part	RAL9005, jet black	131 kg
PRO-4780TS.P2	800 mm	1000 mm	Steel, perforated, 2-part	Steel, perforated, 2-part	RAL9005, jet black	132 kg
PRO-4782TS.P1	800 mm	1200 mm	Steel, perforated, 1-part	Steel, perforated, 1-part	RAL9005, jet black	138 kg
PRO-4782TS.P1P2	800 mm	1200 mm	Steel, perforated, 1-part	Steel, perforated, 2-part	RAL9005, jet black	139 kg
PRO-4782TS.P2	800 mm	1200 mm	Steel, perforated, 2-part	Steel, perforated, 2-part	RAL9005, jet black	140 kg

## 19" Network/Server Cabinets PRO - Open Rack Frames



Rack frame 42U, width 800 mm x depth 800 mm  
Without doors and side wall, front view with and without plinth



Rack frame 42U, width 800 mm x depth 800 mm  
Without doors and side wall, rear view with and without plinth

### Common Characteristics of Rack Frames / Open Racks:

- Doors and side walls individually selectable
- 4 x 19" profile rails, max. load 1000 kg (> 24U), pre-assembled earthing bar in cabinet
- Alle variants available in RAL7035, light grey / RAL9005, jet black

### Ordering Data

Art.-No.	Width	Depth	Front Door	Rear Door	Colour	Weight
<b>42U / Cabinet Height 1963 mm</b>						
PRO-4266GR.OD	600 mm	600 mm	without	without	RAL7035, light grey	71 kg
PRO-4268GR.OD	600 mm	800 mm	without	without	RAL7035, light grey	75 kg
PRO-4260GR.OD	600 mm	1000 mm	without	without	RAL7035, light grey	85 kg
PRO-4262GR.OD	600 mm	1200 mm	without	without	RAL7035, light grey	90 kg
PRO-4286GR.OD	800 mm	600 mm	without	without	RAL7035, light grey	85 kg
PRO-4288GR.OD	800 mm	800 mm	without	without	RAL7035, light grey	90 kg
PRO-4280GR.OD	800 mm	1000 mm	without	without	RAL7035, light grey	95 kg
PRO-4282GR.OD	800 mm	1200 mm	without	without	RAL7035, light grey	100 kg
<b>47U / Cabinet Height 2186 mm</b>						
PRO-4780GR.OD	800 mm	1000 mm	without	without	RAL7035, light grey	100 kg
PRO-4782GR.OD	800 mm	1200 mm	without	without	RAL7035, light grey	105 kg

### Variants of Cabinet Series PRO are easy to configure via article number:

Prefix	U	Cabinet Width	Cabinet Depth	Colour	Door Type	Options
PRO-	42	8	8	GR	.G1SV	OS = without side walls
	47	6 = 600 mm	6 = 600 mm	TS = RAL9005, jet black	.G1 = Glas door 1-part / G2 = Glas door 2-part	
	42	8 = 800 mm	8 = 800 mm	GR = RAL7035, light grey	.S1 = Steel door 1-part / S2 = Steel door 2-part	
	33		0 = 1000 mm		.P1 = Steel door, perf., 1-part / P2 = Steel door, perf., 2-part	
	24		2 = 1200 mm		.SV = Steel door 1-part, 2 x latch (= Standard rear door)	
	18				.RW = Rear wall	
					.OD = Unequiped rack with roof („Open Rack“)	

The first and second digit after the point define the front door, the third and fourth digit define the rear door (resp. -wall).  
For only one specification front and rear door are identically.

## 19" Network-/Server Cabinets PRO - Doors and Side Walls



Glas door 1-part  
(Glas door 2-part available on request)

Steel door 1-part

Steel door 2-part

Steel door, perforated 1-part  
degree of perforation 80 %

Steel door, perforated 2-part  
degree of perforation 80 %

Steel door with latch and cable entry  
(standard rear door)

All Doors of Cabinet Series PRO (except of standard rear door) have the following common specifications:

- 33 .. 47U: 3-point bar-locking, profile half-cylinder exchangeable 30/10 mm (DIN18252 / EN1303)  
18 .. 24U: 1-point latch-locking, profile half-cylinder exchangeable 30/10 mm (DIN18252 / EN1303)
- Door opening angle 180°, door stop changeable left/right, prepared mounting openings in rack frame
- All variants available in paint finish RAL7035, light grey / RAL9005, jet black

Doors and Side Walls of Cabinet series PRO are easy to configure via article number:

### Configuration of Doors

Prefix	Type	U	Cabinet Width	Description	Colour
PRO-	TUR	42	8	G1	.GR
	TUR = Tür	47	6 = 600 mm	G1 = Glas door 1-part / G2 = Glas door 2-part	.GR = RAL7035, light grey
		42	8 = 800 mm	S1 = Steel door 1-part / S2 = Steel door 2-part	
		33		P1 = Steel door, perforated, 1-part / P2 = Steel door, perforated, 2-part	.TS = RAL9005, jet black
		24		SV = Steel door 1-part, 2 x latch (= Standard rear door)	
		18			

### Configuration of Side Walls

Prefix	Type	U	Cabinet Depth	Description	Colour
PRO-	W	42	8	E	.GR
	W = Side wall	47	6 = 600 mm	E = 1-Part	.GR = RAL7035, light grey
		42	8 = 800 mm	Z = 2-Part	
		33			.TS = RAL9005, jet black
		24			
		18			

Side walls for cabinet depths 600 mm , 800 mm and 1000 mm consist of one part.  
Side walls for cabinet depth 1200 mm consist of 2 parts of 600 mm each.

## 19" Network/Serverschränke PRO - Modular Plinth System: The Easy Way to the Required Plinth

### Step 1: Choose Plinth Corners



Art.-No. PRO-SOE100N.xx

- Plinth corners in height 100 mm or 200 mm
- Height adjustable (levelable)
- 4 pieces in set



Art.-No. PRO-SOE200N.xx



Art.-No. PRO-SOE100F.xx

- Plinth corners in height 100 mm or 200 mm
- Fixed height
- Suitable for fixing at the floor (e.g. dowel)
- Suitable for vibration protection
- 4 pieces in set



Art.-No. PRO-SOE200F.xx

### Step 2: Choose Side-Covers



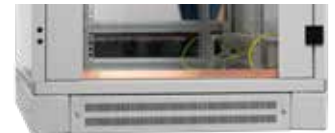
Plinth cover full (closed)



Plinth cover perforated



Plinth cover with brush



- Plinth covers are universally suitable for covering all sides of the plinth
- Plinth height 100 mm: 4 covers per plinth (with tilt protection: 3 corners)  
200 mm: 8 covers per plinth (2 over each other)
- For use of tilt protection the front cover is omitted
- Mounting accessories included in delivery (screws, sleeves, etc.)

Art.-No. PRO-SOBxxV.GR - Plinth corner full (closed)  
 Art.-No. PRO-SOBxxP.GR - Plinth corner perforated  
 Art.-No. PRO-SOBxxB.GR - Plinth corner with brush

xx = (06 / 08 / 10 / 12 for 600 / 800 / 1000 / 1200 mm)

### Step 3: Choose Further Accessories



- Slidable tilt protection for use with plinth corners
- Consisting of support frame and 2 guide rails
- The front plinth panel is omitted: plinth 100 mm - 3 covers required  
plinth 200 mm - 7 covers required

Art.-No. PRO-KISxx.GR (xx = 06 / 08 for plinth width 600 mm / 800 mm)

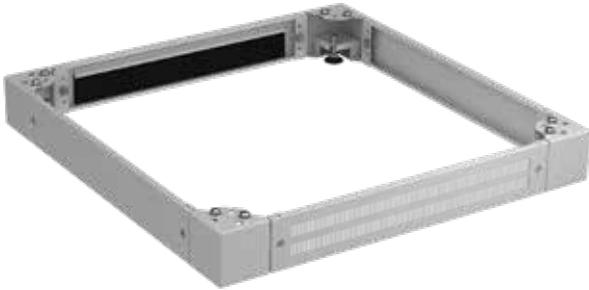


- Vibration protection for use with plinth corners in fixed height
- It is recommended to additionally fix the plinth at the floor (e.g. with dowels)
- Set of 4 pieces

Art.-No. PRO-VIB01

## 19" Network-/Server Cabinets PRO - Modular Plinth System - Example Configurations

### Example 1: plinth 800 x 800 mm, height 100 mm, levelable, front perforated, rear-sided cable entry with brush



- Plinth 800 x 800 mm, plinth height 100 mm, plinth corners levelable
- Front side perforated, rear-side with brush, left + right side closed
- Consisting of the following components:

Description	Art.-No.	Qty
Plinth corner 100 mm, levelable	PRO-SOE100N.GR	4 (1 Set)
Plinth cover, perforated	PRO-SOB08P.GR	1
Plinth cover, closed (full)	PRO-SOB08V.GR	2
Plinth cover, with brush	PRO-SOB08B.GR	1

- This plinth type is available as complete set with one Art.-No.:

RAL7035, Light Grey	Width 600 mm	Width 800 mm
Plinth 600 mm	PRO-SOK66PB.GR	PRO-SOK86PB.GR
Plinth 800 mm	PRO-SOK68PB.GR	PRO-SOK88PB.GR
Plinth 1000 mm	PRO-SOK60PB.GR	PRO-SOK80PB.GR
Plinth 1200 mm	PRO-SOK62PB.GR	PRO-SOK82PB.GR

RAL9005, Jet Black	Width 600 mm	Width 800 mm
Plinth 600 mm	PRO-SOK66PB.TS	PRO-SOK86PB.TS
Plinth 800 mm	PRO-SOK68PB.TS	PRO-SOK88PB.TS
Plinth 1000 mm	PRO-SOK60PB.TS	PRO-SOK80PB.TS

### Example 2: plinth 600 x 600 mm, height 200 mm, all-sided closed



- Plinth 600 x 600 mm, plinth height 200 mm
- Plinth corners in fixed height
- All sides closed
- Consisting of the following components:

Description	Art.-No.	Qty
Plinth corner 200 mm, fix	PRO-SOE200F.GR	4 (1 Set)
Plinth cover, closed (full)	PRO-SOB06V.GR	8

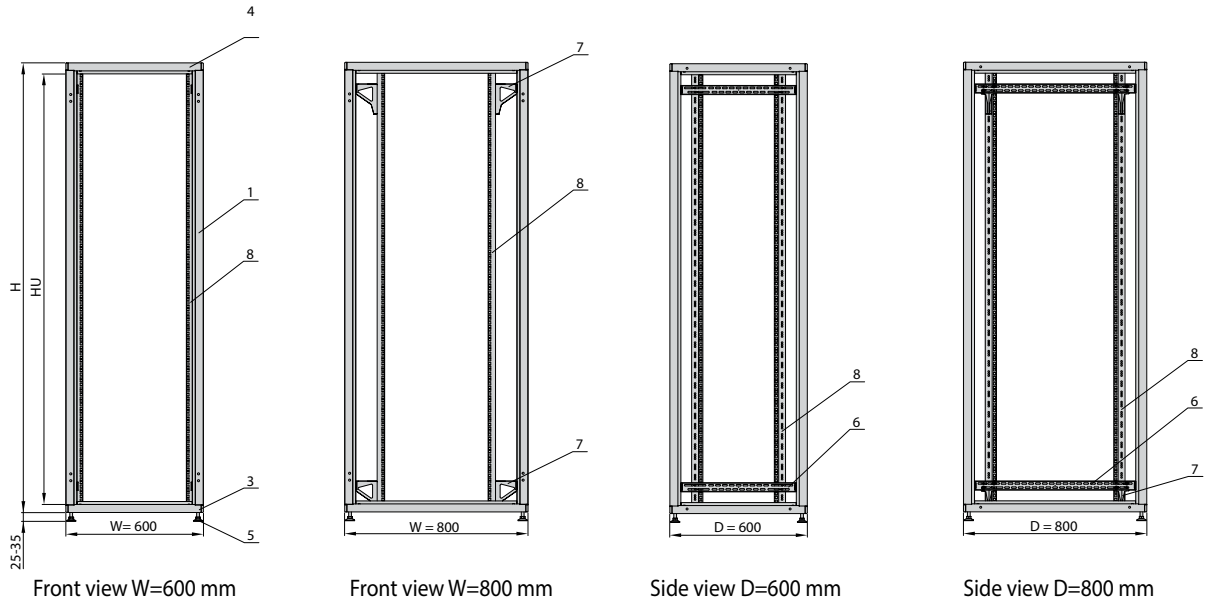
### Example 3: plinth 800 x 1000 mm, 100 mm, with tilt protection



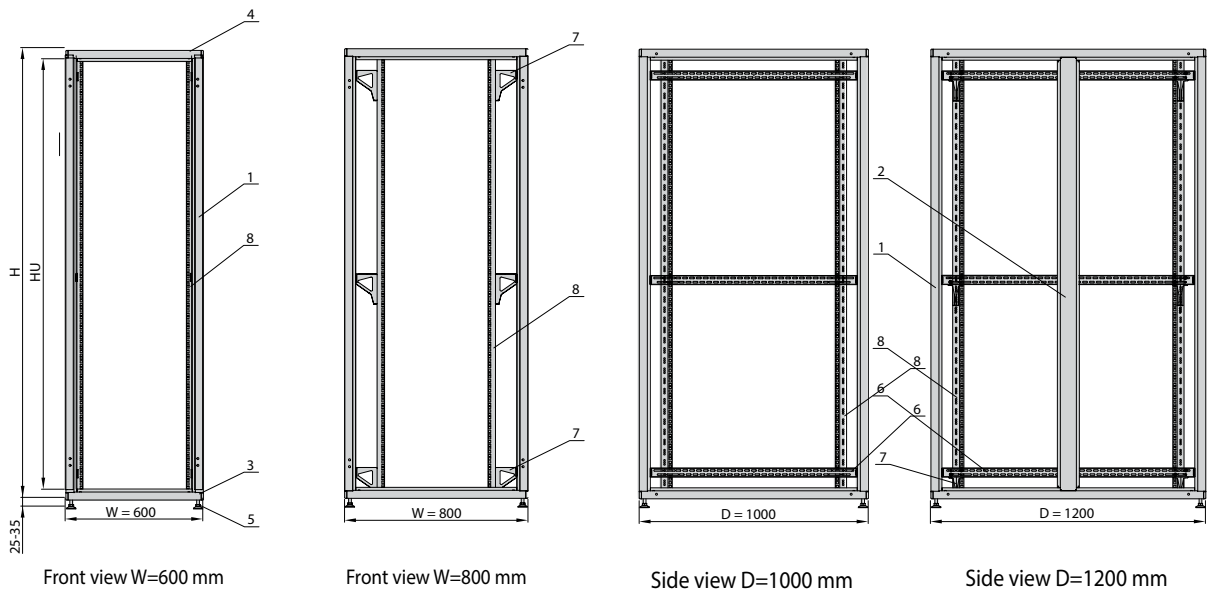
- Plinth 800 x 1000 mm, plinth height 100 mm
- Plinth corners in fixed height
- All sides closed
- Consisting of the following components:

Description	Art.-No.	Qty
Plinth corner 100 mm, fix	PRO-SOE100F.GR	4 (1 Set)
Plinth cover, closed (full)	PRO-SOB08V.GR	1
Plinth cover, closed (full)	PRO-SOB10V.GR	2
Tilt protection, sliding	PRO-KIS80.GR	1

## 19" Network-/Server Cabinet PRO - Drawing of Network / Distribution Cabinet Frames



## 19" Network/Server Cabinet PRO - Drawing of Server Cabinet Frames

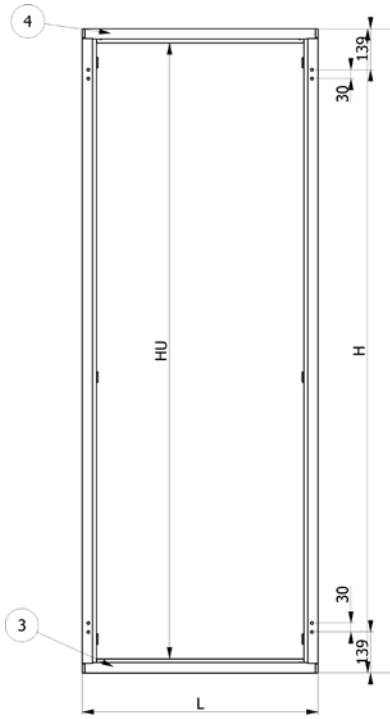


### Description of single components

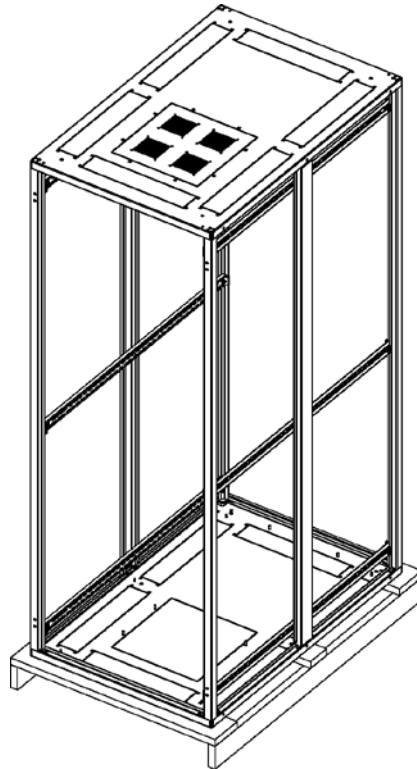
- 1 - Outer frame profiles
- 3 - Cabinet bottom
- 4 - Cabinet roof
- 5 - Leveling feet
- 6 - Depth rail
- 7 - Outtrigger
- 8 - 19" Profile rails
- 9 - Earthing bar
- 10 - Cutout 380 x 380 mm, pre-punched (fan / filter)
- 11 - Cutout 450 x 90 mm, pre-punched (cable entry)

# 19" Network-/Server Cabinet PRO

## Technical Drawing Rack Frame 47U 800 mm x 1200 mm

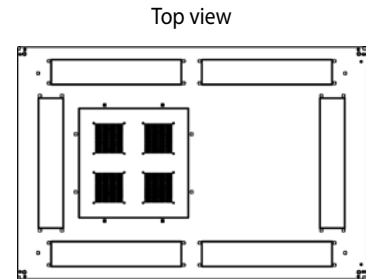


Front view

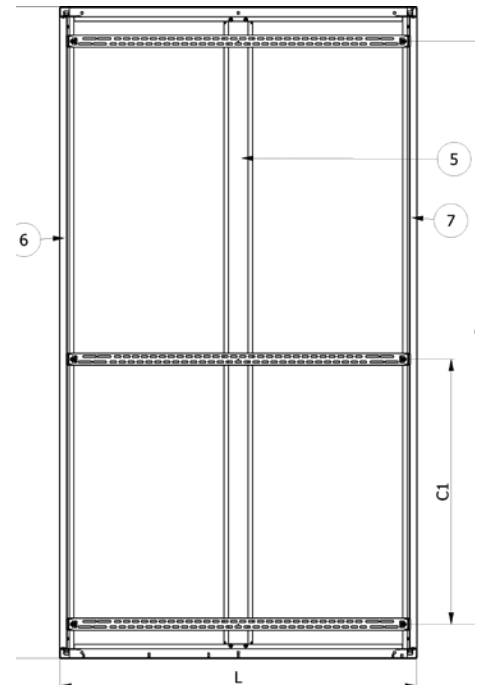


Perspective view

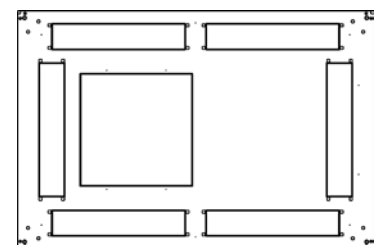
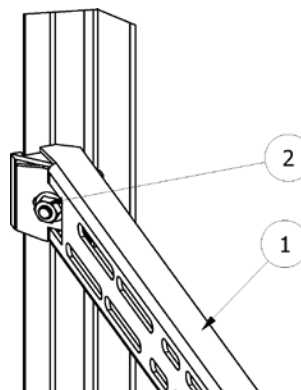
Note: Fan mounting in the cabinet roof is positioned on the back



Top view



Side view

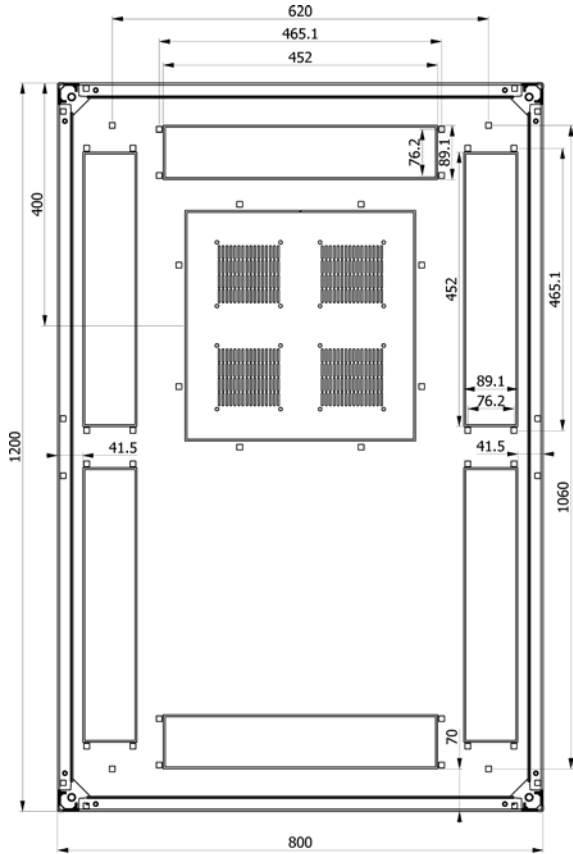


Bottom view

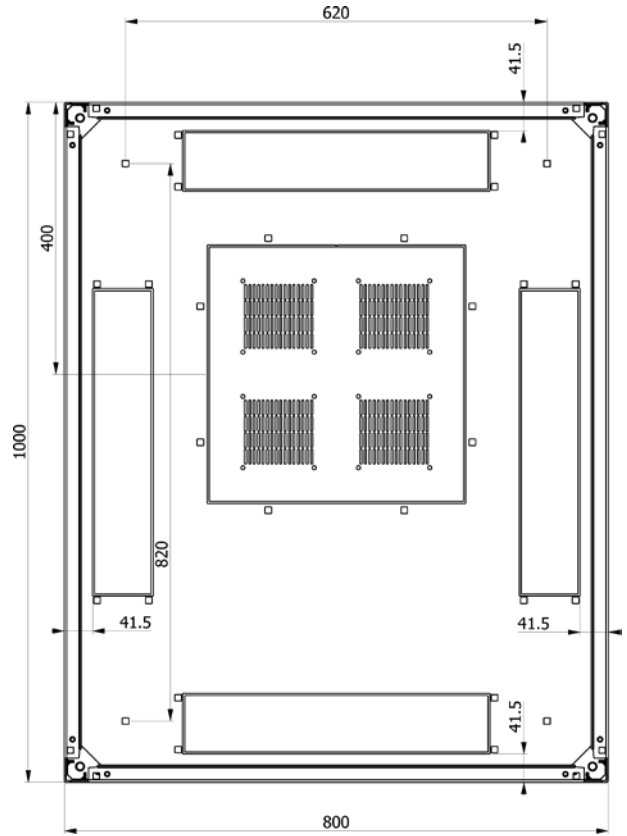
No.	Description	Qty
1	Depth rail L=1149	6
2	Nut M6 x 8 with flange	12
3	Bottom sheet 800 x 1200 mm	1
4	Roof sheet 800 x 1200 mm	1
5	Inner rack profile (only for D=1200 mm)	2
6	Outer rack profile L=2120	2
7	Outer rack profile L=2120	2

## 19" Network-/Server Cabinets PRO - Technical Drawings Cabinet Roof in Width = 800 mm

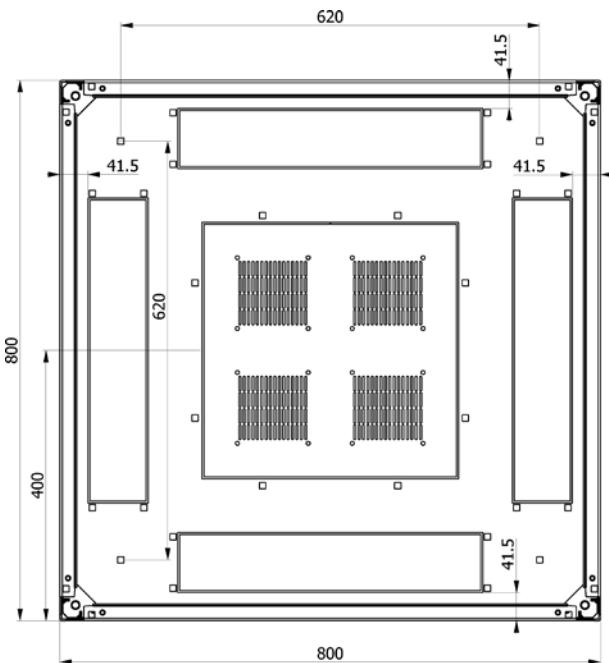
Cabinet roof 800 mm x 1200 mm



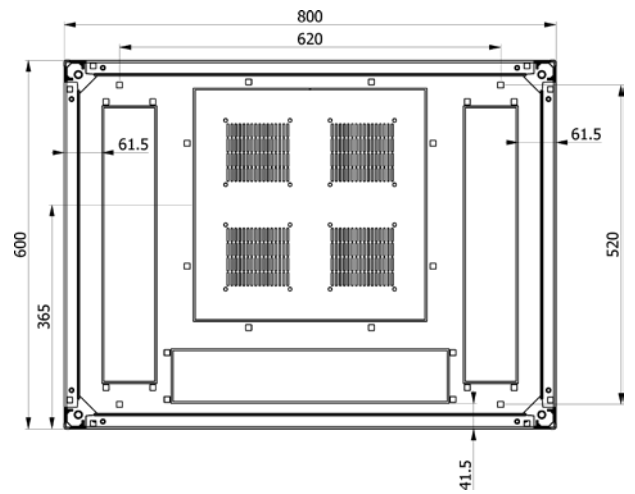
Cabinet roof 800 mm x 1000 mm



Cabinet roof 800 mm x 800 mm



Cabinet roof 800 mm x 600 mm



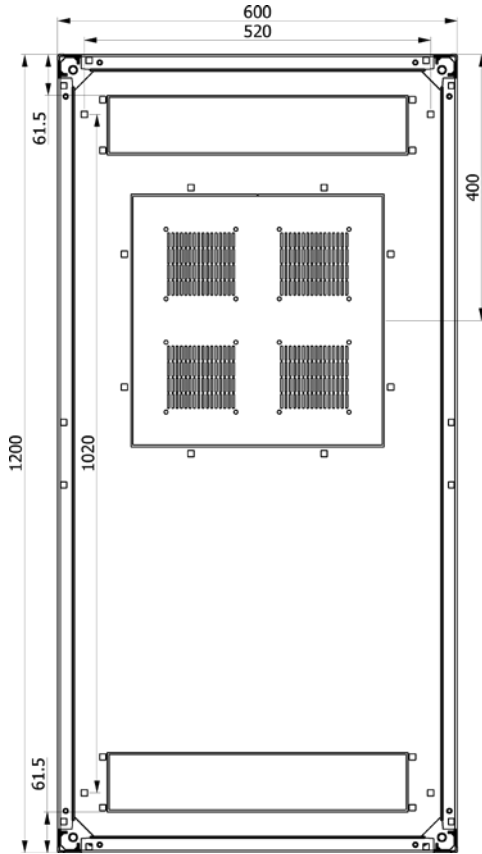
Note: For single cable entry this is positioned on the back as standard.

The on-site rotation of the cabinet roof by 180° allows positioning also at the front

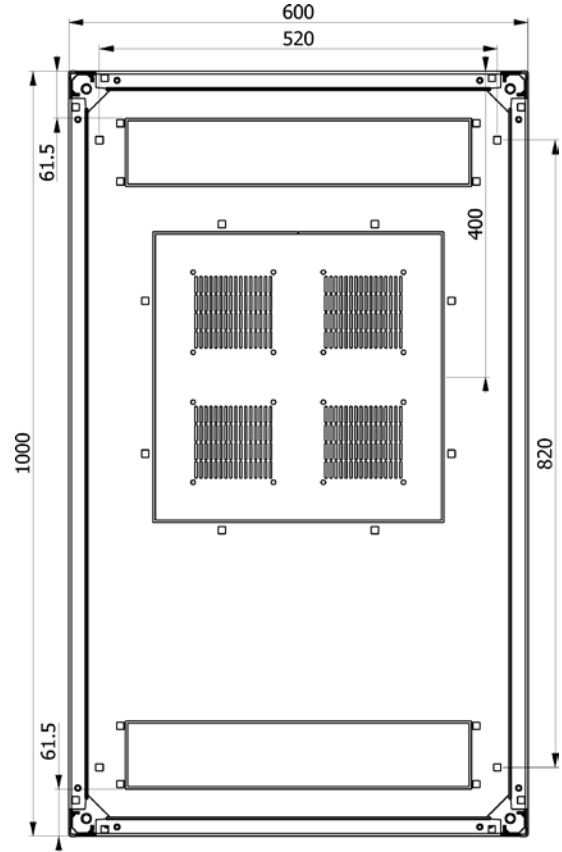


## 19" Network-/Server Cabinets PRO - Technical Drawings Cabinet Roof in Width = 600 mm

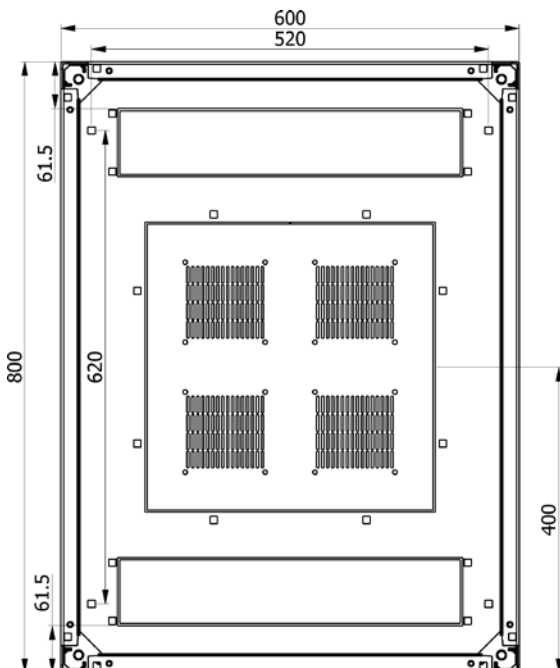
Cabinet roof 600 mm x 1200 mm



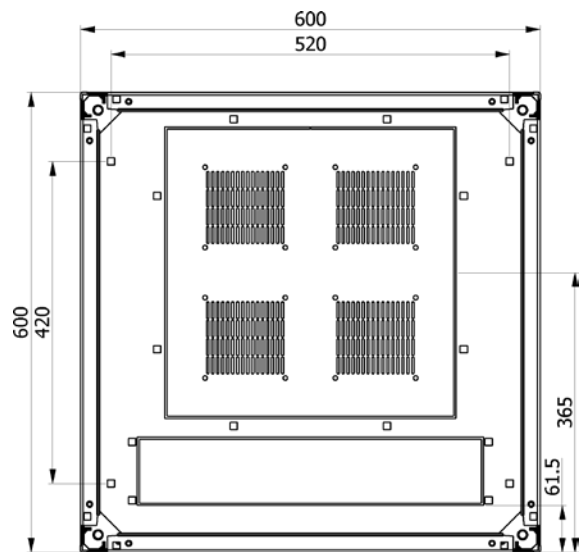
Cabinet roof 600 mm x 1000 mm



Cabinet roof 600 mm x 800 mm



Cabinet roof 600 mm x 600 mm

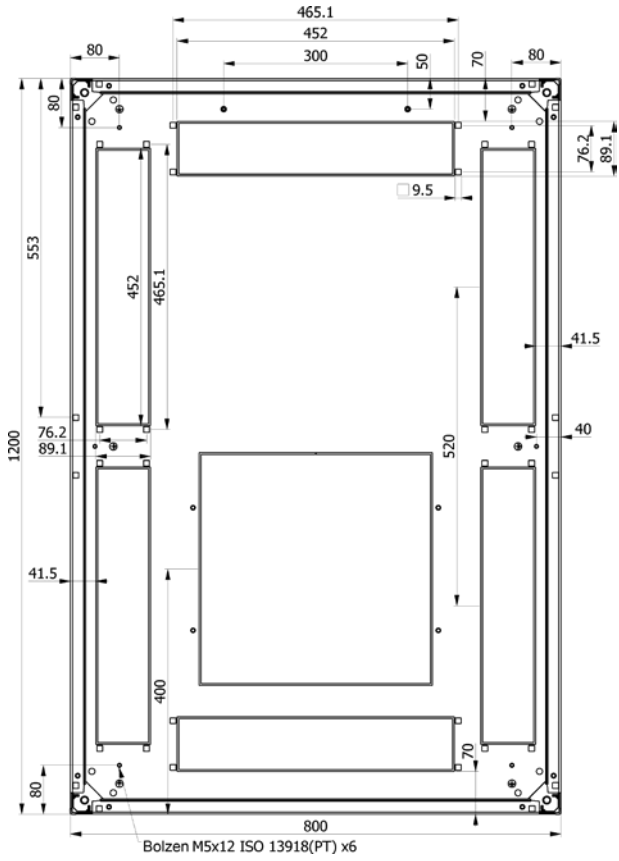


Note: For single cable entry this is positioned on the back as standard.

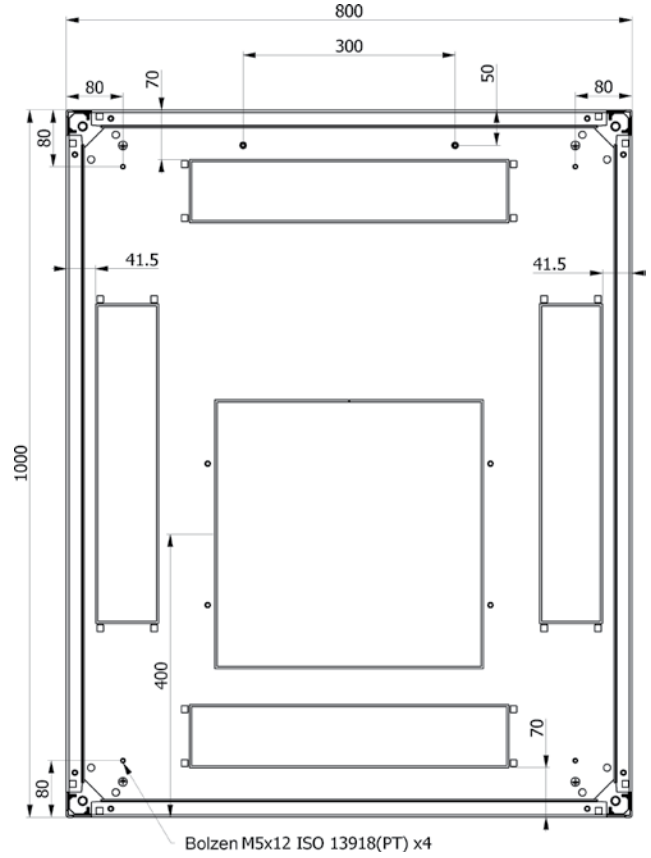
The rotation of the cabinet roof by 180° allows positioning also at the front

19" Network-/Server Cabinets PRO - Technical Drawings Cabinet Bottom in Width = 800 mm

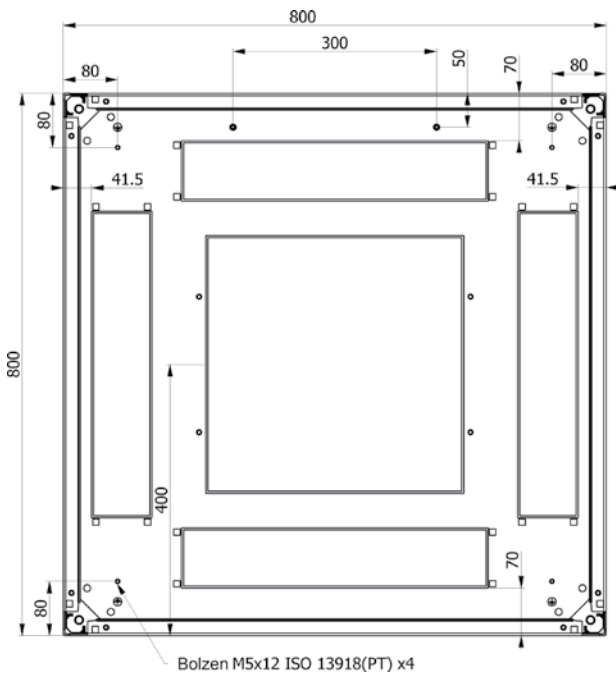
Cabinet bottom 800 mm x 1200 mm



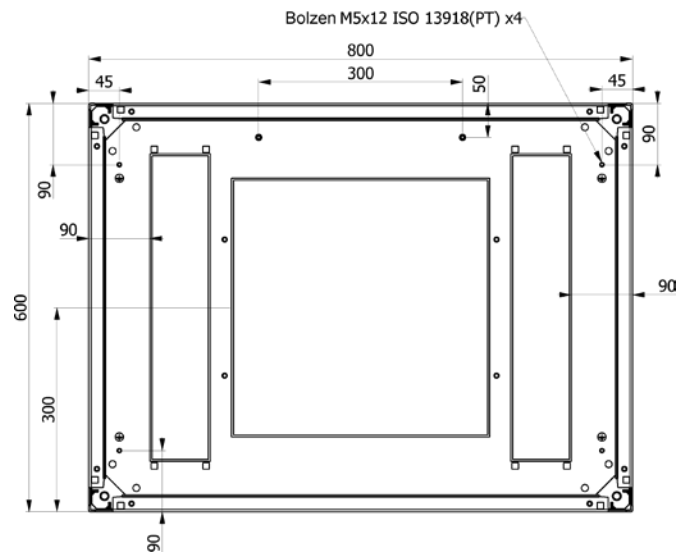
Cabinet bottom 800 mm x 1000 mm



Cabinet bottom 800 mm x 800 mm

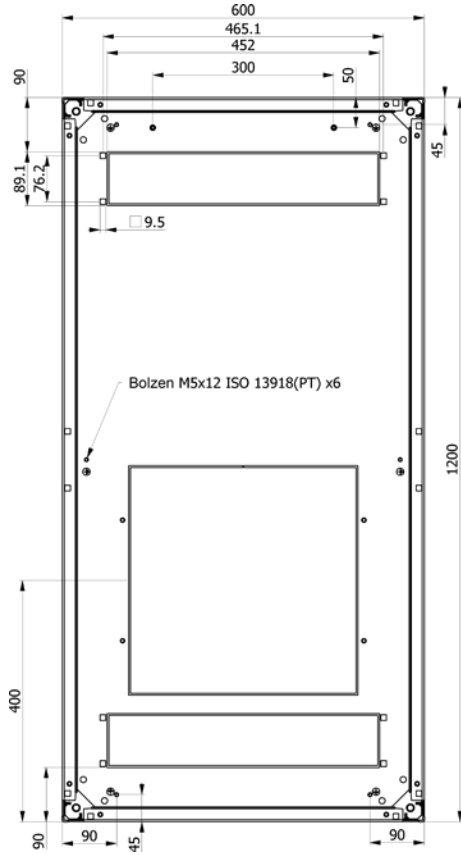


Cabinet bottom 800 mm x 600 mm

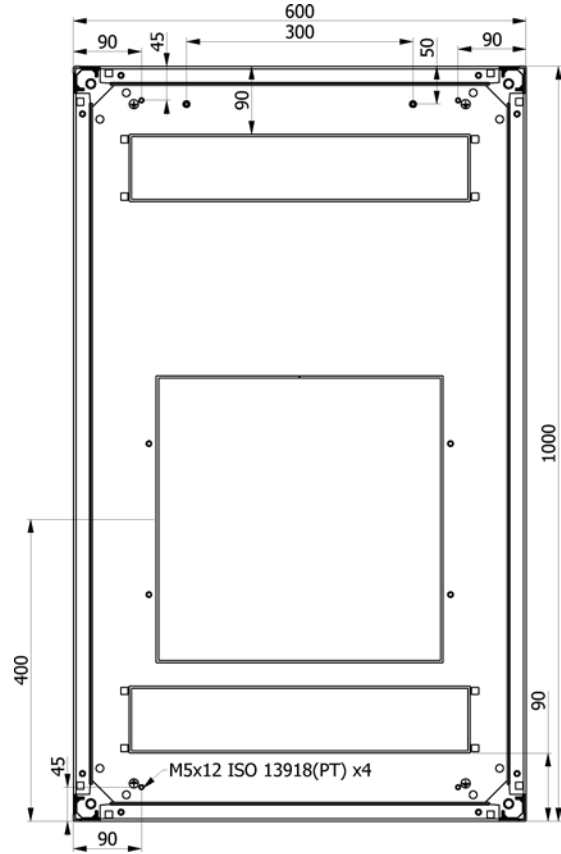


## 19" Network-/Server Cabinets PRO - Technical Drawings Cabinet Bottom in Width = 600 mm

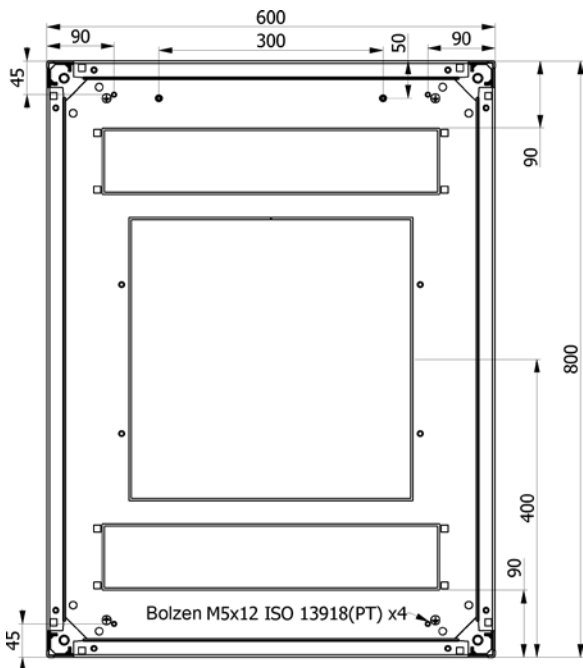
Cabinet bottom 800 mm x 1200 mm



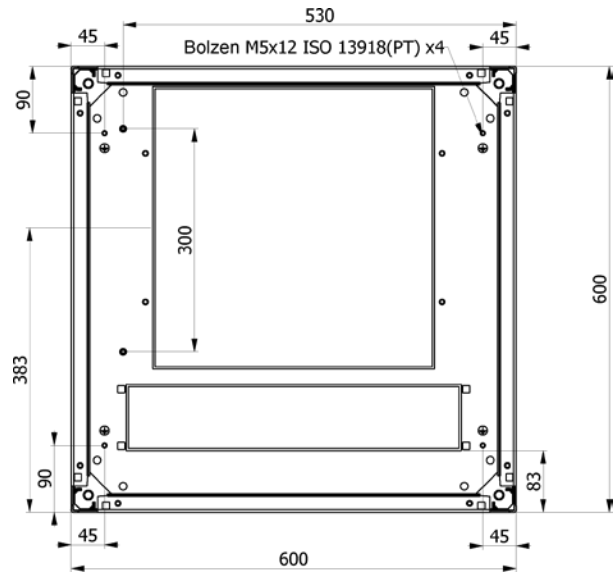
Cabinet bottom 600 mm x 1000 mm



Cabinet bottom 600 mm x 800 mm



Cabinet bottom 600 mm x 600 mm





## LOCATION GERMANY

### BIELEFELD

Striegauer Straße 1 • 33719 Bielefeld  
fon +49 (0) 521/40418-0 • fax +49 (0) 521/40418-50

### FRANKFURT / RAUNHEIM

Am Prime Parc 7 • 65479 Raunheim  
fon +49 (0) 6142/9466-0 • fax +49 (0) 6142/9466-15

### HAMBURG / BUXTEHUDE

Westende 12 • 21614 Buxtehude  
fon +49 (0) 4161/5115-0 • fax +49 (0) 4161/5115-15

### MÜNCHEN / PUCHHEIM

Boschstraße 10 • 82178 Puchheim  
fon +49 (0) 89 800 7469-0 • fax +49 (0) 89 800 7469-29

### SONNEBERG

Johann-Nicol-Dorst-Straße 10 • 96515 Sonneberg  
fon +49 (0) 3675/75069-0 • fax +49 (0) 3675/75069-25

## LOCATION INTERNATIONAL

### EFB-ELEKTRONIK AUSTRIA GMBH

Belgradplatz 5 • 1100 Wien  
fon +43 (0) 1 600 1781-0 • fax +43 (0) 1 600 1781-20  
info@efb-elektronik.at • www.efb-elektronik.at

### EFB-ELEKTRONIK TÜRKIYE

Halide Edip Adivar Mahallesi • Sultan Sokak  
Mavi Plaza No:22 D:11/22A • 34381 Şişli/İSTANBUL  
Tel: +90 212 222 92 50 pbx • Fax: +90 212 222 92 89  
info@efb-elektronik.com.tr • www.efb-elektronik.com.tr

### EFB NORDIC A/S

Naverland 22 • 2600 Glostrup  
fon +45 44 66 29 11  
info@efb-nordic.dk • www.efb-nordic.dk