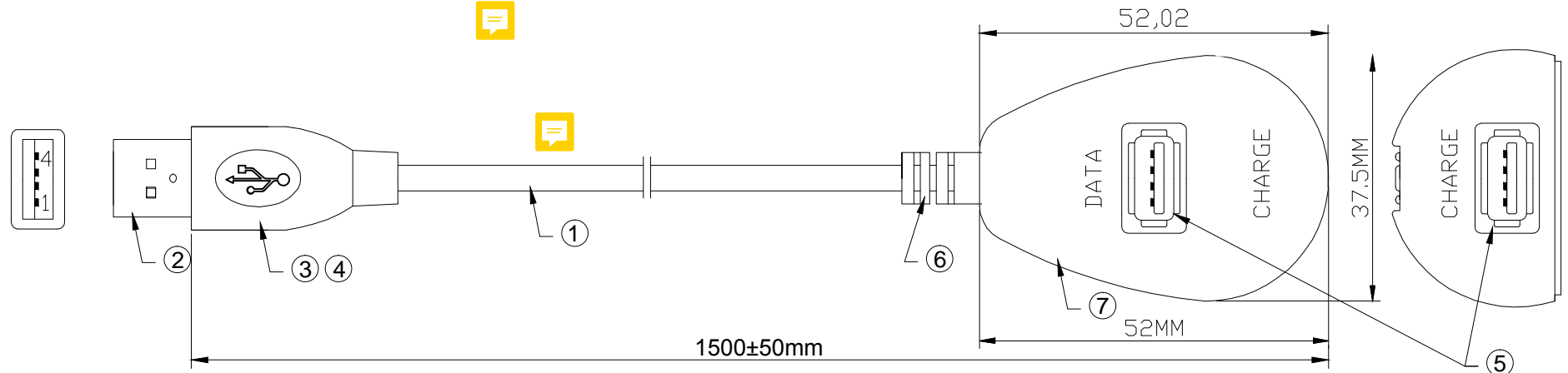
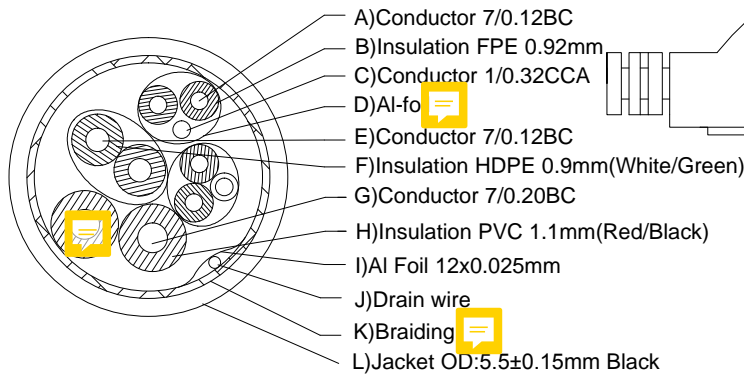
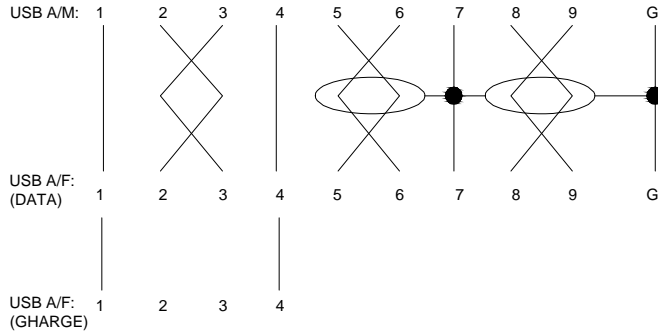


REV.	REVISED DESCRIPTION	DATE	CHECKED
A0	FIRST RELEASE	2021/04/26	



PIN ASSIGNMENT:

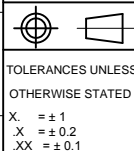


3.0 USB Cable Spec.

Remark:  
 1.100% Open/Short Test  
 2.The product is Reach/RoHS compliant.

Item NO.	Length(m)
EB438V2	1.8m

⑦	Body	Shell,ABS, Black	1SET	
⑥	SR	SR, 45PVC,Black	1PC	
⑤	Connector	USB 3.0 A Female, Nickle-Plated	2PCS	
④	External Mold	Outer Mould 45P PVC, Black	1PC	
③	Inernal Mold	Inner Mould PE	1PC	
②	Connector	USB 3.0 A Male, Nickle-Plated	1PC	
①	Cable	28+24 USB Cable OD:5.5mm 7/0.12BC(28AWG)*1P+7/0.2BC(24AWG*2C) +[7/0.12BC(28AWG)+1/0.32CCA+AL*]2P+D+AL+B OD:5.5MM BLACK		
ITEM	DESCRIPTIONS & SPECIFICATIONS		QTY	REMARK



<b>E F B</b> ELEKTRONIK			
ERP NO.:		SAMPLE DWG NO.:	
DOC No.:		REVISION	A0
CUSTOMER:		UNIT	mm
CUSTOMER P/N:		SCALE	NO
DESCRIPTION	USB 3.0 Docking series USB 28+24AWG USB Male to 2* USB Female black color Nickle Plated	PAGE NO	1/1
		DATE	2021/04/26
APPROVAL	CHECKED	DRAWN	