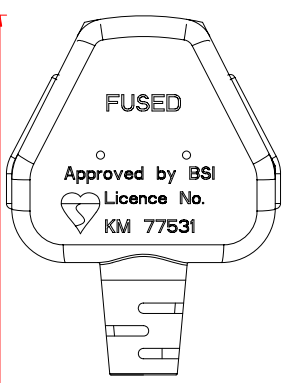


P1: M-015
P2: M-028

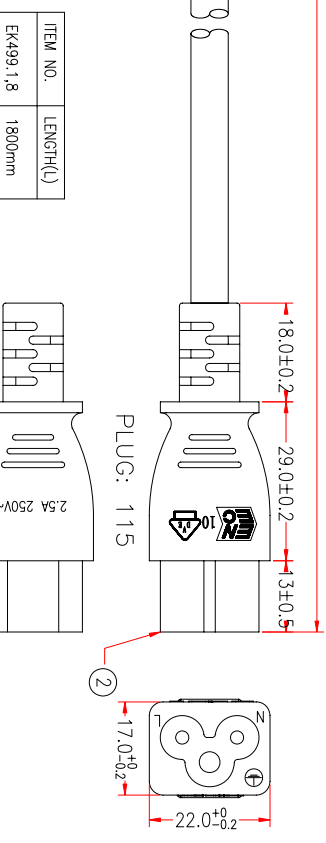
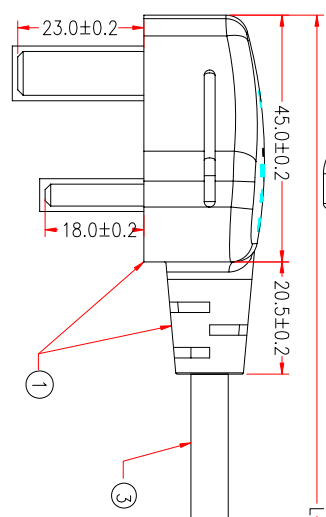
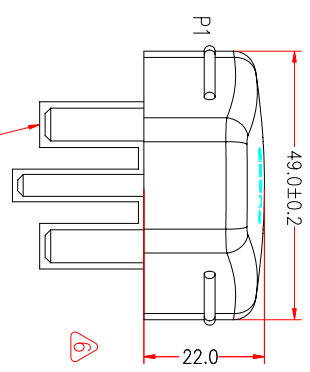
Customer No.: No.6

LOGO	FUSE
	3A

FUSE:



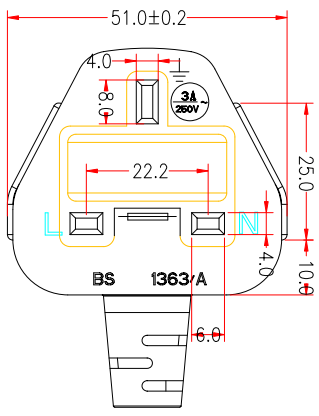
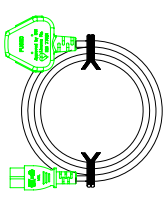
P2:



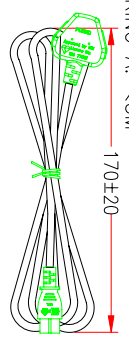
ITEM NO.	LENGTH(L)
EK499.1.8	1800mm
EK499.3	3000mm
EK499.5	5000mm

PACKING: B: > 3M

PLUG: MSL-403



PACKING A: < 3M



CONCAVE LETTERING WORD CABLE:

- H05W-F 3G 0.75mm²
- N20050 G1SA-3 3G 0.75mm² MSL

P1	P2
BROWN	L
BLUE	N
GREEN/YELLOW	E

page: 1 of 2

- REV.6 2017.11.22 MODIFY P1 PLUG
- REV.5 2017.08.09 MODIFY CABLE DRAWING NO.EPH5V0107503C-102 FROM EPH5V0107503C-027
- REV.4 2017.07.25 MODIFY CONCAVE LETTERING MARKING CABLE
- REV.2 2013.06.25 MODIFY LABEL CONTENT
- REV.1 2013.03.11 MODIFY CABLE MARKING CONTENT

NOTE: All relevant materials are complied with RoHS directive .

3	H05 W-F 3G 0.75mm ² , G1SA-3, 0.063mm, JACKET BLACK, DRAWING No. EPH5V0107503C-102 H5TH21-0304K09	L-30mm	M304
2	MOLDED PVC 45P, COLOR BLACK BRACKET: YS-008 TERMINAL: 98732PS-0 TERMINAL: 98714PS-0	H1B701-0304K09 A1QC17-0767 A1QB29-0257 A1OB05-0257	M304 M767 M257 M257
1	MOLDED PVC 45P, COLOR BLACK FUSE LATCH: MSL-403 FUSE: 3A PRESSURE CAP, MSL-403	H1B701-0304K09 A1QA40-0767 A1QA03-0455 A1QA41-0402	M304 M767 M455 M402
	PLUG BRACKET AND TERMINAL A PIECE TYPE:168103, MSL-403	A1QA39-0402	M402
No.	DESCRIPTION	Q'ty	Supplier

PART NO.115402E3FS2D(FP150-03) Revision:

APPROVED			Cable Length Unless Other Spec. Tolerances: 0 ~200mm 201~1000mm 1001 ~1500mm 1501 ~2100mm 2100mm ↑
CHECKED	HU		
DRAWING	JIANGJU		
DATE	22/NOV/17	ITEM NO.	EK499.1,8&EK499.3&EK499.5
		UNIT:mm	






 THE LABEL TO BE STAMPED ON THE BIG POLY-BAG



page: 2 of 2

99XXXXXX表示每次工單的P/O

NOTE: All relevant materials are complied with RoHS directive .

	REV.6 2017.11.22	MODIFY P1 PLUG
	REV.5 2017.08.09	MODIFY CABLE DRAWING. NO.EPH5V0107503C-102 FROM EPH5V0107503C-027
	REV.4 2017.07.25	MODIFY CONCAVE LETTERING MARKING CABLE
	REV.2 2013.06.25	MODIFY LABEL CONTENT
	REV.1 2013.03.11	MODIFY CABLE MARKING CONTENT

PART NO.115402E3FS2D(FP150-03)		Revision:	Cable Length Unless Other Spec.	
APPROVED			0 ~200mm	±10mm
CHECKED	HU		201~1000mm	±20mm
DRAWING	JIANGJU		1001 ~1500mm	±25mm
DATE	22/NOV/17	ITEM NO.	1501~2100mm	±30mm
			2100mm↑	±40mm
