

**Suitable for Wall, Floor and Ceiling Mounting  
Construction only 146 mm**



Lockable cover with window



3U front-sided, 5U rear-sided  
3U level swiveling tool-less

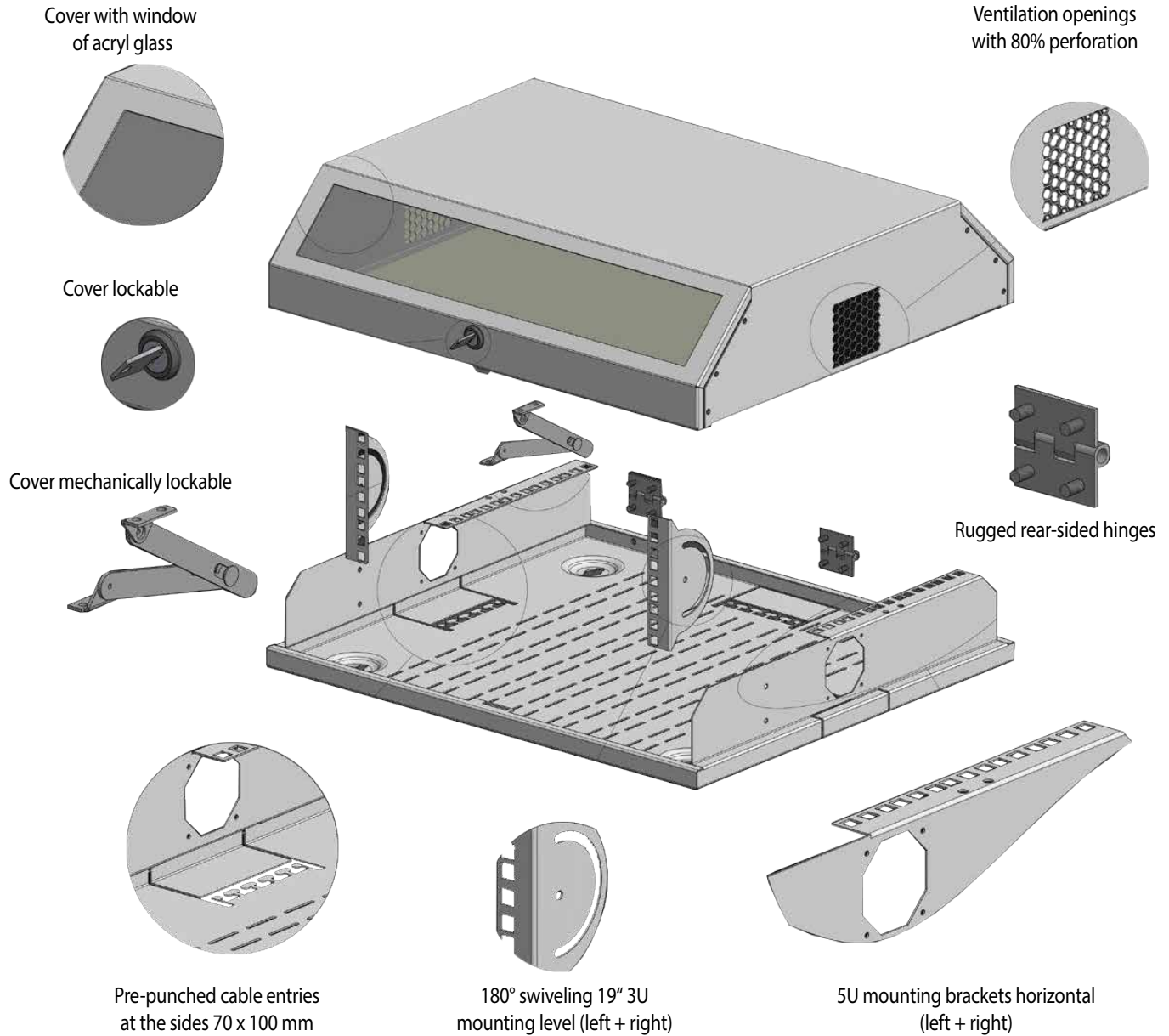
## Common Specifications

- 19" wall housing, completely pre-assembled, self-ventilated
- For space-saving, protected accommodation of network devices
- Cover window of acryl glass
- Rugged frame structure for high max. load
- Capacity 3U front-sided swiveling + 5U rear-sided = 8U (for details see drawings at pages 3 .. 5 of this datasheet)
- 3U part tool-less swiveling by means of a wing nut for configuration according to customer needed installation depths
- 3 x pre-punched cable entry: 2 x 70 x 100 mm and 1 x 50 x 100 mm
- Numerous cable clampings enable proper cable routing
- Mechanical locking for the cover for comfortable working
- Dimensions (W x H x D) 537 x 146 x 475 mm
- Paint finish RAL 7035, light grey / RAL9005, jet black / RAL9010, pure white



Art.Nr.	691703V / VTS / VWS	Datei	691703Vxx.indd		
Beschreibung	19" Wandgehäuse 3HE+5HE vertikal, RAL7035/RAL9005/RAL9010				
Erstellt	Datum	Letzte Revision	Datum	Geprüft	Datum
MN	07.10.2014	MN	07.12.2016	MN	07.12.2016

### Common Construction



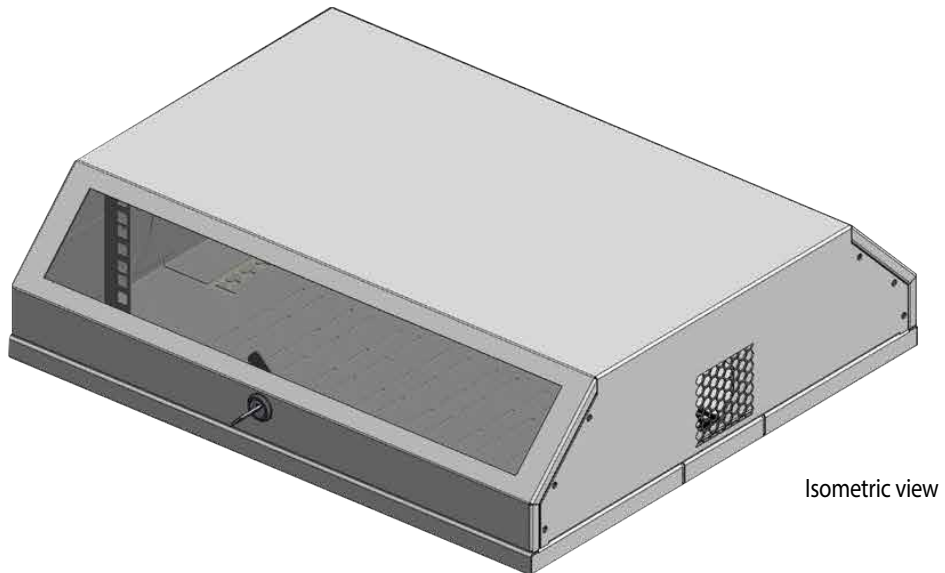
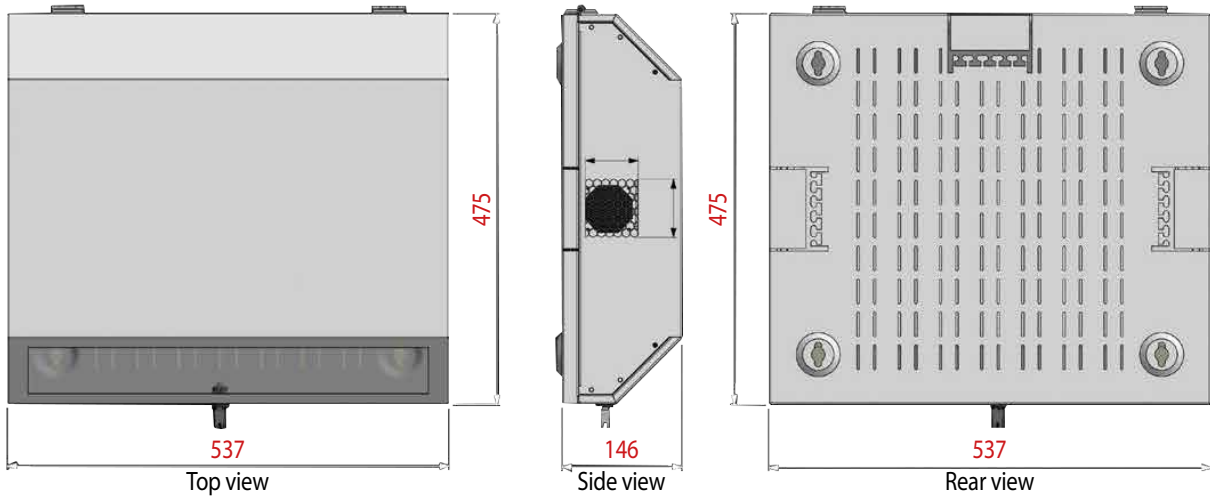
### Ordering Data

Art.-No.	Description	Dimensions (W x D x H)	Weight	Colour
691703V	19" Wall Housing 3U + 5U	537 x 475 x 146 mm	8.1 kg	RAL7035, light grey
691703VTS	19" Wall Housing 3U + 5U	537 x 475 x 146 mm	8.1 kg	RAL9005, jet black
691703VWS	19" Wall Housing 3U + 5U	537 x 475 x 146 mm	8.1 kg	RAL9010, pure white



Art.Nr.	691703V / VTS / VWS	Datei	691703Vxx.indd		
Beschreibung	19" Wandgehäuse 3HE+5HE vertikal, RAL7035/RAL9005/RAL9010				
Erstellt	Datum	Letzte Revision	Datum	Geprüft	Datum
MN	07.10.2014	MN	07.12.2016	MN	07.12.2016

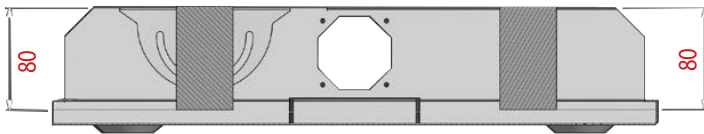
## Outer Dimensions



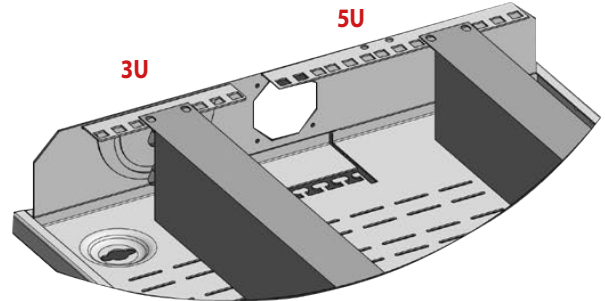
Art.Nr.	691703V / VTS / VWS	Datei	691703Vxx.indd		
Beschreibung	19" Wandgehäuse 3HE+5HE vertikal, RAL7035/RAL9005/RAL9010				
Erstellt	Datum	Letzte Revision	Datum	Geprüft	Datum
MN	07.10.2014	MN	07.12.2016	MN	07.12.2016

The wall housing offers 6 possible configurations for effective utilisation of inner space:

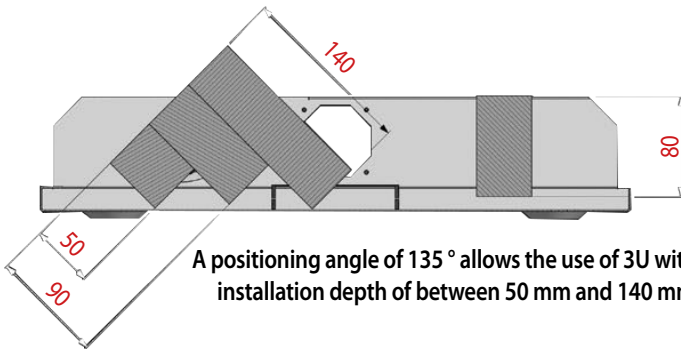
**Variant 1 - 3U + 5U horizontal:**



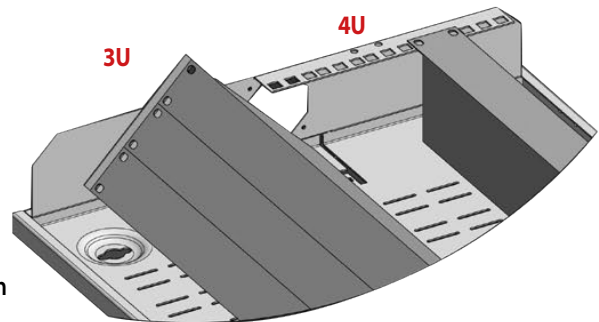
Adjusting the 3U level 180° horizontally results in usable 8U in total with a mounting depth of 80 mm each.



**Variant 2 - 3U swiveled 135° + 4U horizontal:**

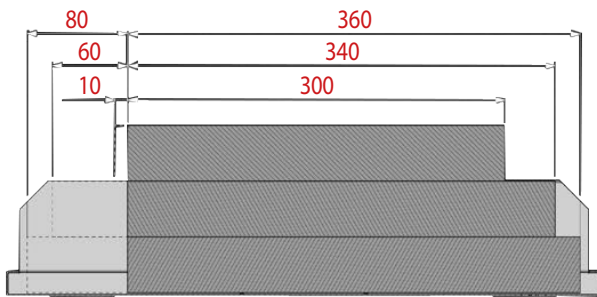


A positioning angle of 135° allows the use of 3U with an installation depth of between 50 mm and 140 mm.

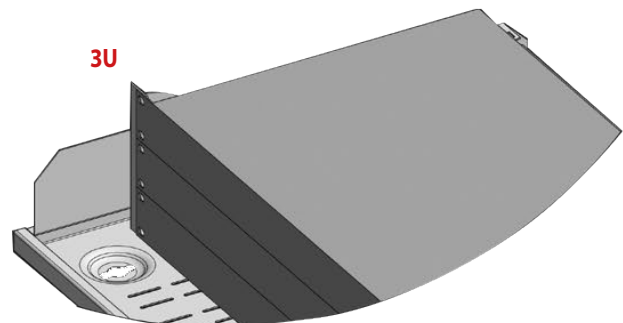


In this configuration, from the rear 5U remain 4U with an installation depth of 80 mm each.

**Variant 3 - 3U vertical, 5U horizontal unused:**



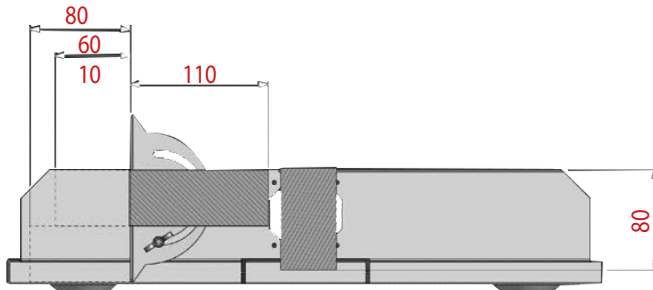
If the 3U level is swiveled 90° to front, the installation depths 300 mm, 340 mm and 360 mm are usable.



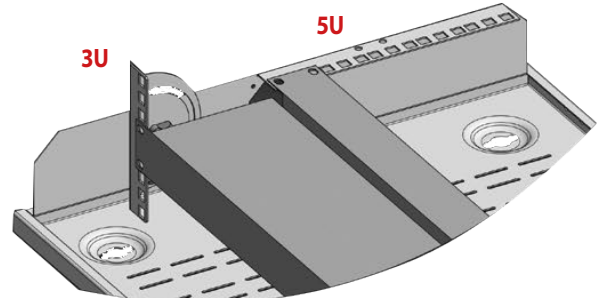
The rear-sided 5U in this case are unused.

Art.Nr.	691703V / VTS / VWS	Datei	691703Vxx.indd		
Beschreibung	19" Wandgehäuse 3HE+5HE vertikal, RAL7035/RAL9005/RAL9010				
Erstellt	Datum	Letzte Revision	Datum	Geprüft	Datum
MN	07.10.2014	MN	07.12.2016	MN	07.12.2016

**Variant 4 - 3U vertical + 5U horizontal:**

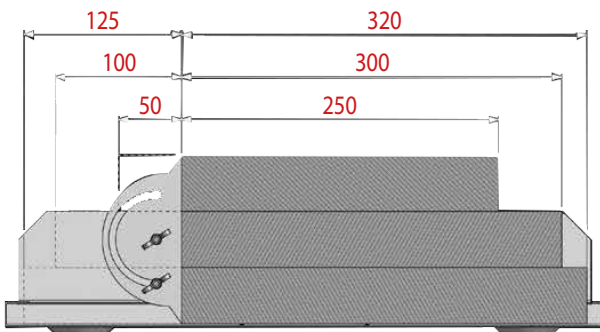


For 90° swiveled front-sided 3U level, devices with depth 110 mm are mountable

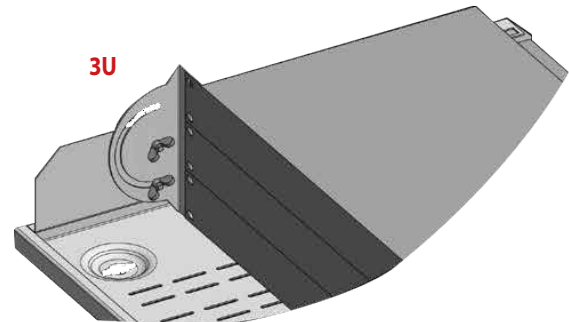


The rear-sided 5U are usable with mounting depth 80 mm.

**Variant 5 - 3U invers-vertical, 5U horizontal unused:**

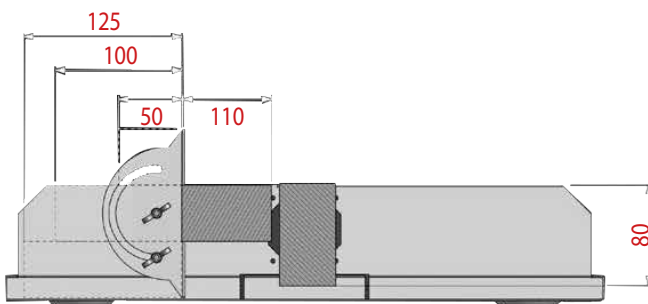


If the 3U level is swiveled 270° to rear-side, mounting depths of 250 mm, 300 mm und 320 mm are usable.

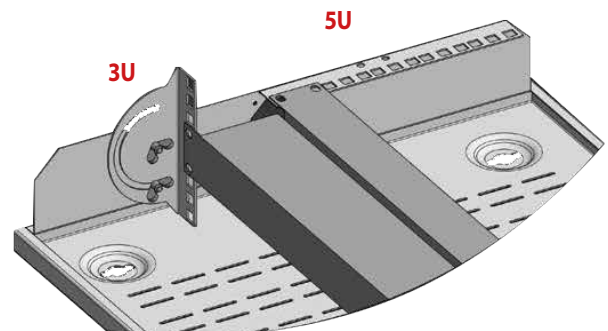


The rear-sided 5U in this case are unused.

**Variant 6 - 3U invers-vertical + 5U horizontal:**



If the 3U level is swiveled 270° to rear-side, mounting depths of 110 mm are usable if the rear-sided 5U are in use.



The rear-sided 5U are usable with mounting depth 80 mm.



Art.Nr.	691703V / VTS / VWS	Datei	691703Vxx.indd		
Beschreibung	19" Wandgehäuse 3HE+5HE vertikal, RAL7035/RAL9005/RAL9010				
Erstellt	Datum	Letzte Revision	Datum	Geprüft	Datum
MN	07.10.2014	MN	07.12.2016	MN	07.12.2016