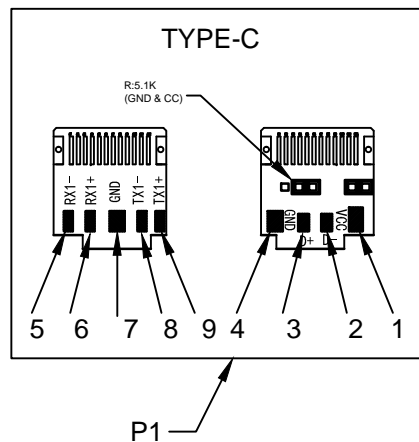
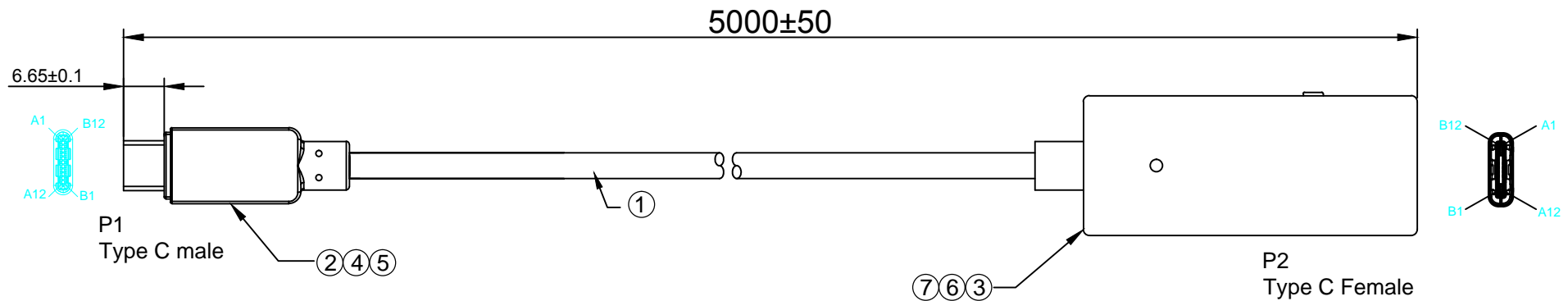
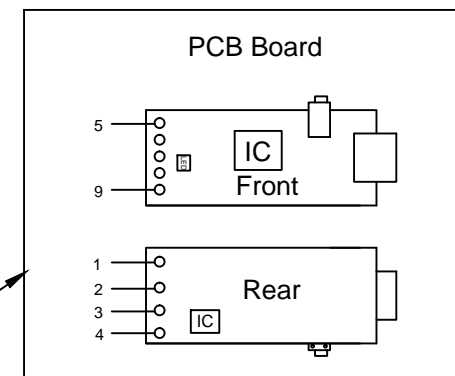


REV.	REVISED DESCRIPTION	DATE	CHECKED
A0	FIRST RELEASE	2021/12/08	

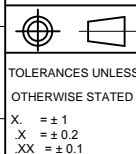


Remark:
 1.100% Open/Short Test
 2.Conductive Resistance:3ohms MAX
 3.Insulation Resistance:5M ohm MIN.
 4.The product is Reach/RoHS compliant.

Item NO.	Length(m)
ZG-T1MC005	5.0m



⑦	Shell	ABS Shell, Black	1Sets	
⑥	PCBA	PCB Board(XY161)	1PC	
⑤	Innernal Mold	Inner Mould PE		
④	External Mold	Outer Mould 30P PVC, Black	1PC	
③	Connector	USB Type C Female, DIP + SMT, H=1.18mm, Nickel Shell	1PC	
②	Connector	USB Type C Male, Nickel-plated shell, C=10nF,R=5.1K	1PC	
①	Cable	(7/0.127TC*1P+D+AL+Mylar]*2C + 7/0.127TC*1P +7/0.254TC*2C+F+ADB16/8/0.12AL OD=5.5mm, PVC, Black		
ITEM	DESCRIPTIONS & SPECIFICATIONS		QTY	REMARK



ERP NO.:		SAMPLE DWG NO.:	
DOC No.:		REVISION	A0
CUSTOMER:		UNIT	mm
CUSTOMER P/N:		SCALE	NO
DESCRIPTION USB 3.1 Type C Male to Type C Female		PAGE NO	1/1
		DATE	2021/12/08
APPROVAL	CHECKED	DRAWN	