

DATASHEET

19" Wand Housing Basic, Depth 450 / 600 mm

Art.-No. WGB-19XXYY.ZZ



FLAT PACK - DISASSEMBLED DELIVERY IN 1 PARCEL

EASY TO CARRY - WITH STABLE HANDLE



Common Characteristics

- 19" Wall housing 1-part, type Flat Pack
- Steel sheet housing screwable, not pre-assembled
- Front door fully made of certified safety glass, thickness 4 mm, smoked, tempered, smoothed, antistatic
- Front door lockable, door opening angle 120°
- Door stop easy changeable (right/left)
- Sidewalls not detachable
- Roof prepared for mounting of 2 x single fans
- Roof and bottom with cable entry 145 x 70 mm
- Inside 2 x 19" profile rails, depth-adjustable, with lateral opening for cable routing
- Paint finish RAL7035 (light grey) / RAL9005 (jet black) / RAL9010 (pure white)
- Width 535 mm, depth 450 / 600 mm
- Max. load 80 kg (static, equally distributed)
- Protection degree IP20
- Included accessories: 1 x brush, 1 x set of cage nuts (PU 20 pcs.), 2 x key
- Delivery unassembled in 1 parcel with handle



Art.-Nr.	WGB-19XXYYZZ.xx	Datei	WGB-19XXYYZZ_xx.indd		
Beschreibung	19" Wandgehäuse Basic, Tiefe 450 / 600 mm, RAL7035 / RAL9005 / RAL9010				
Erstellt	Datum	Letzte Revision	Datum	Geprüft	Datum
MN	15.06.2018	MN	17.08.2018	MN	17.08.2018

DATASHEET

19" Wand Housing Basic, Depth 450 / 600 mm

Art.-No. WGB-19XXYY.ZZ

Ordering Data - Depth 450 mm

(measuring „h“ = mounting/drilling height, see page 4)

Art.-No.	Description	Colour	Height (H)	Measuring h
WGB-1906GR.45	19" 06U Wall Housing Basic, Depth 450 mm	RAL7035, light grey	304 mm	270 mm
WGB-1909GR.45	19" 09U Wall Housing Basic, Depth 450 mm	RAL7035, light grey	437 mm	403 mm
WGB-1912GR.45	19" 12U Wall Housing Basic, Depth 450 mm	RAL7035, light grey	571 mm	536 mm
WGB-1915GR.45	19" 15U Wall Housing Basic, Depth 450 mm	RAL7035, light grey	707 mm	670 mm

Art.-No.	Description	Colour	Height (H)	Measuring h
WGB-1906TS.45	19" 06U Wall Housing Basic, Depth 450 mm	RAL9005, jet black	304 mm	270 mm
WGB-1909TS.45	19" 09U Wall Housing Basic, Depth 450 mm	RAL9005, jet black	437 mm	403 mm
WGB-1912TS.45	19" 12U Wall Housing Basic, Depth 450 mm	RAL9005, jet black	571 mm	536 mm
WGB-1915TS.45	19" 15U Wall Housing Basic, Depth 450 mm	RAL9005, jet black	707 mm	670 mm

Art.-No.	Description	Colour	Height (H)	Measuring h
WGB-1906WS.45	19" 06U Wall Housing Basic, Depth 450 mm	RAL9010, pure white	304 mm	270 mm
WGB-1909WS.45	19" 09U Wall Housing Basic, Depth 450 mm	RAL9010, pure white	437 mm	403 mm
WGB-1912WS.45	19" 12U Wall Housing Basic, Depth 450 mm	RAL9010, pure white	571 mm	536 mm
WGB-1915WS.45	19" 15U Wall Housing Basic, Depth 450 mm	RAL9010, pure white	707 mm	670 mm

Ordering Data - Depth 600 mm

(measuring „h“ = mounting/drilling height, see page 4)

Art.-No.	Description	Colour	Height (H)	Measuring h
WGB-1906GR.60	19" 06U Wall Housing Basic, Depth 600 mm	RAL7035, light grey	304 mm	270 mm
WGB-1909GR.60	19" 09U Wall Housing Basic, Depth 600 mm	RAL7035, light grey	437 mm	403 mm
WGB-1912GR.60	19" 12U Wall Housing Basic, Depth 600 mm	RAL7035, light grey	571 mm	536 mm
WGB-1915GR.60	19" 15U Wall Housing Basic, Depth 600 mm	RAL7035, light grey	707 mm	670 mm

Art.-No.	Description	Colour	Height (H)	Measuring h
WGB-1906TS.60	19" 06U Wall Housing Basic, Depth 600 mm	RAL9005, jet black	304 mm	270 mm
WGB-1909TS.60	19" 09U Wall Housing Basic, Depth 600 mm	RAL9005, jet black	437 mm	403 mm
WGB-1912TS.60	19" 12U Wall Housing Basic, Depth 600 mm	RAL9005, jet black	571 mm	536 mm
WGB-1915TS.60	19" 15U Wall Housing Basic, Depth 600 mm	RAL9005, jet black	707 mm	670 mm

Art.-No.	Description	Colour	Height (H)	Measuring h
WGB-1906WS.60	19" 06U Wall Housing Basic, Depth 600 mm	RAL9010, pure white	304 mm	270 mm
WGB-1909WS.60	19" 09U Wall Housing Basic, Depth 600 mm	RAL9010, pure white	437 mm	403 mm
WGB-1912WS.60	19" 12U Wall Housing Basic, Depth 600 mm	RAL9010, pure white	571 mm	536 mm
WGB-1915WS.60	19" 15U Wall Housing Basic, Depth 600 mm	RAL9010, pure white	707 mm	670 mm

Packaging & Weights

Art.-No.	Dimensions Carton	Weight
WGB-1906xx.45	55 x 50 x 13 cm	11 kg
WGB-1909xx.45	55 x 50 x 13 cm	14 kg
WGB-1912xx.45	57 x 55 x 13 cm	16.5 kg
WGB-1915xx.45	72 x 55 x 12 cm	19 kg

Art.-No.	Dimensions Carton	Weight
WGB-1906xx.60	65 x 58 x 13 cm	13 kg
WGB-1909xx.60	62 x 60 x 13 cm	16 kg
WGB-1912xx.60	63 x 63 x 13 cm	18.5 kg
WGB-1915xx.60	72 x 62 x 14 cm	21 kg

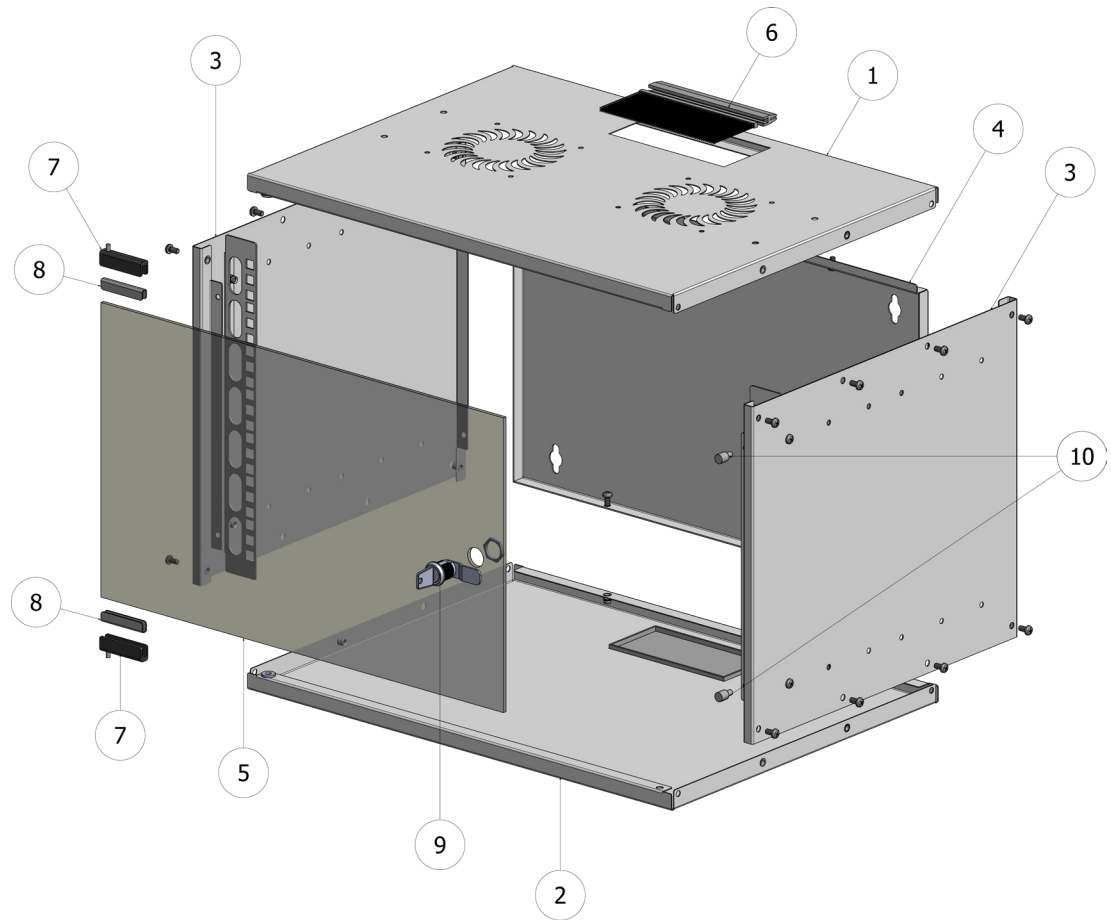
Art.-Nr.	WGB-19XXYYZZ.xx	Datei	WGB-19XXYYZZ_xx.indd	
Beschreibung	19" Wandgehäuse Basic, Tiefe 450 / 600 mm, RAL7035 / RAL9005 / RAL9010			
Erstellt	Datum	Letzte Revision	Datum	Geprüft
MN	15.06.2018	MN	17.08.2018	MN
				Datum
				17.08.2018

DATASHEET

19" Wall Housing Basic, Depth 450 / 600 mm

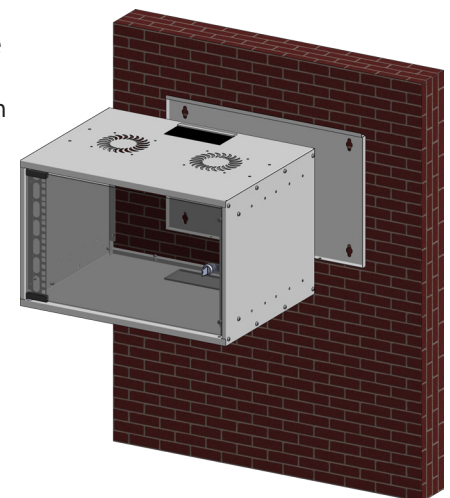
Art.-No. WGB-19XXYY.ZZ

No.	Description
1	Roof element
2	Bottom element
3	Side walls
4	Rear wall
5	Glass plate (door)
6	Brush
7	Hinges
8	Rubber insert
9	Lock
10	Rubber element



Mounting Instructions

- Use the rear wall (4) of the housing as a template and mark the positions of the mounting holes at the wall
- Drill the holes, place the dowels in the holes of the wall and fix the rear wall (4) of the housing at the wall
- For mounting, place the bottom element (2) on a table or on the floor
- Mount both side walls (3) with each 4 screws M5 x 10 to the bottom element (2)
- **Please note: for the hinged side, you must use the side wall with the shorter inner steel edge, else the hinge will collide with the steel!**
- Loosen the thread bolts of the hinges (7) and together with the rubber elements (8) place the hinges (7) on the glass plate (5); thereby the rubber elements (8) lay between hinge and glass plate
- Carefully tighten the thread bolts without damaging the glass
- Place the lock (9) in the prepared cutout in the glass plate (5) and put the latch into the correct position
- Fix the lock carefully with the locknut, without damaging the glass
- Put the rubber elements (10) into the holes of the fold on the side wall (3) near to the lock
- Mount the glass door in the frame
- Mount the roof element (1) with each 4 screws M5 x 10 to both side walls (3)
- Install the brush (6) resp. the cover in the openings of roof (1) or bottom (2)
- Complete the housing by pushing it onto the rear wall (4) already mounted on the wall
- Fix the rear wall (4) with the screws M5 x 10 in the rear-sided openings in the bottom
- Mounting is now completed



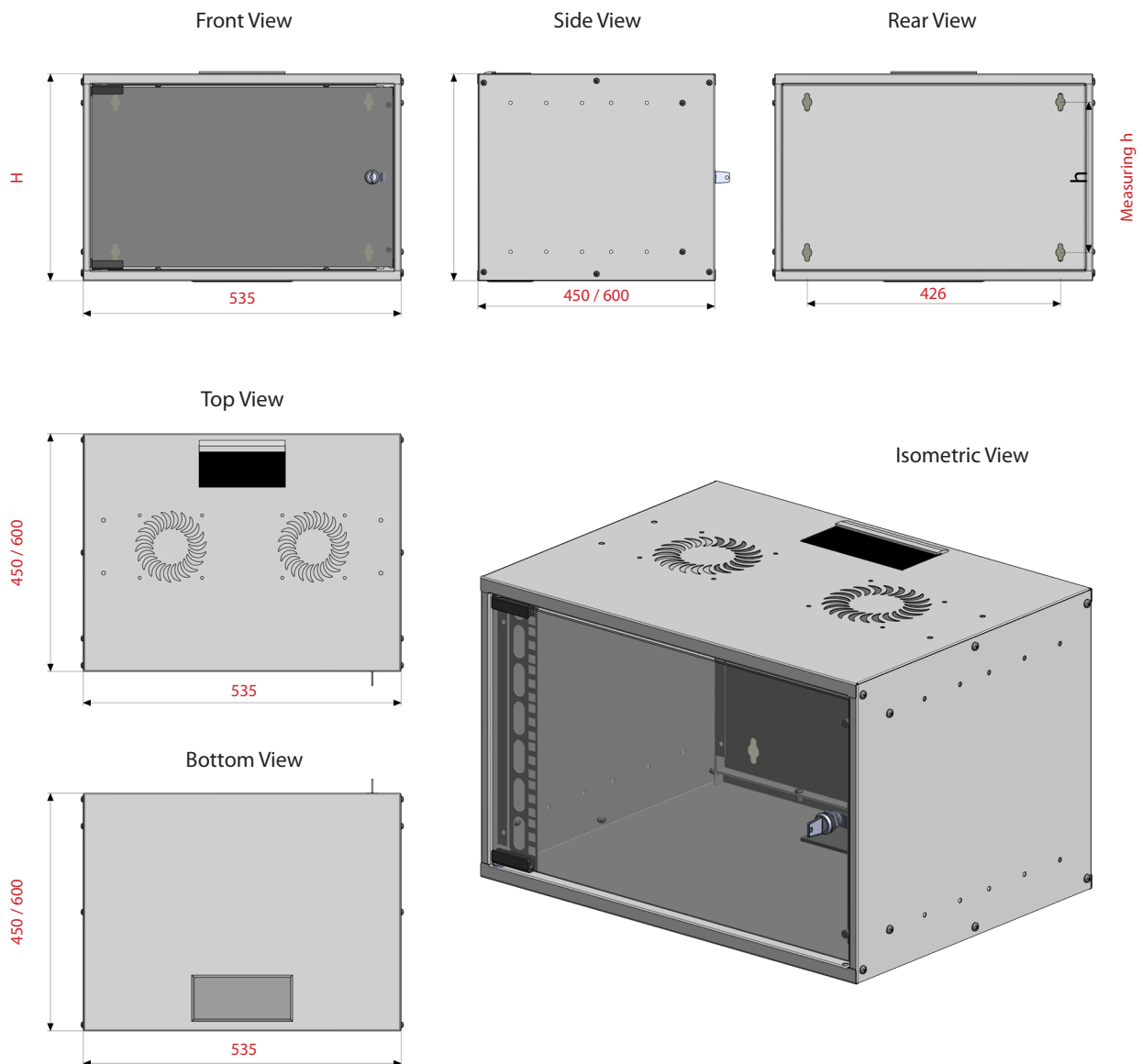
Art.-Nr.	WGB-19XXYYZZ.xx	Datei	WGB-19XXYYZZ_xx.indd		
Beschreibung	19" Wandgehäuse Basic, Tiefe 450 / 600 mm, RAL7035 / RAL9005 / RAL9010				
Erstellt	Datum	Letzte Revision	Datum	Geprüft	Datum
MN	15.06.2018	MN	17.08.2018	MN	17.08.2018

DATASHEET

19" Wand Housing Basic, Depth 450 / 600 mm

Art.-No. WGB-19XXYY.ZZ

Technical Drawings - Depth 450 / 600 mm



Art.-Nr.	WGB-19XXYYZZ.xx	Datei	WGB-19XXYYZZ_xx.indd		
Beschreibung	19" Wandgehäuse Basic, Tiefe 450 / 600 mm, RAL7035 / RAL9005 / RAL9010				
Erstellt	Datum	Letzte Revision	Datum	Geprüft	Datum
MN	15.06.2018	MN	17.08.2018	MN	17.08.2018