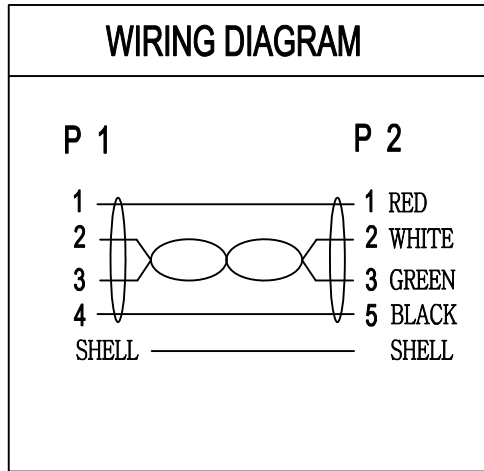
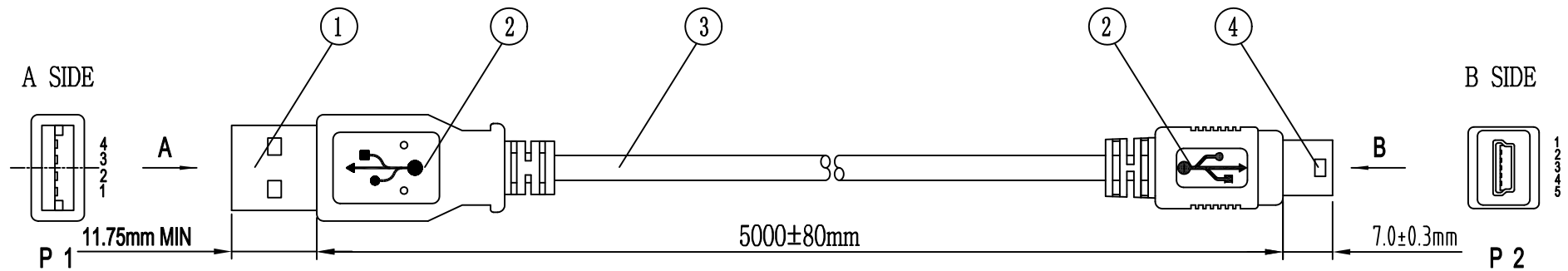


| REVISION | | | |
|----------|------|-------------|----------|
| REV | DATE | DESCRIPTION | APPRO.BY |
| | | | |



NOTE:

- 1.PRINTING:
AWM 80°C 30V VW-1 28AWG×1P 24AWG×2C
USB2.0 HIGHSPEED CABLE
- 2.RoHS COMPLIANT

| | | | |
|-----|-----------|--|------|
| ④ | CONNECTOR | MINI USB 5Pin B TYPE MALE NICKEL PLATED SHELL 1u" GOLD PLATED PIN,WHITE INSULATOR | 1 |
| ③ | CABLE | 28AWG TXR*1P+24AWG TXR*2C+AL+B(COVERAGE RATE IN 65%) USB2.0 HIGHSPEED CABLE JACKET PVC BLACK OD=4.5±0.2mm | 1 |
| ② | OVERMOLD | PVC COLOR:BLACK | 2 |
| ① | CONNECTOR | USB A TYPE MALE NICKEL SHELL 1u" GOLD PLATED PIN,WHITE INSULATOR | 1 |
| NO. | MAT.NAME | DESCRIPTION | Q'TY |

| | | | | | | | | |
|-----------------|----|-------------|-----|----------|-----|------------|--|--|
| CUSTOMER'S ITEM | | K5250SW.5V2 | | CUSTOMER | | EFB | | |
| DRAWING | | | | TITLE | | USB CABLE | | |
| UNIT | mm | SCALE | 1:1 | REV | A/0 | | | |
| DRAWN BY | | CHECK BY | | APPRO BY | | DATE | | |
| Zhouqinghua | | | | | | 2020-09-01 | | |