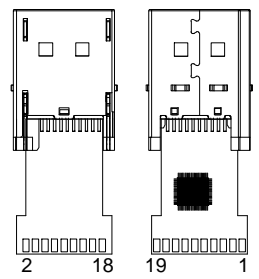
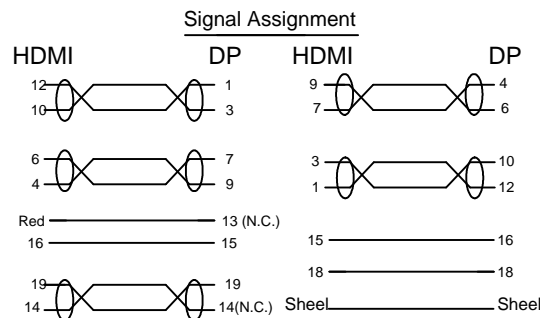
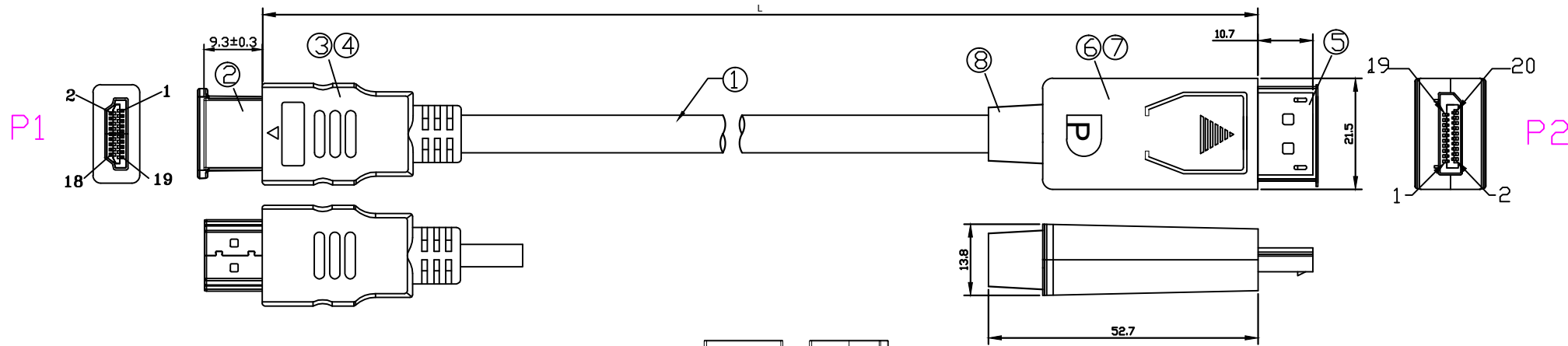


REV.	REVISED DESCRIPTION	DATE	CHECKED
A0	FIRST RELEASE	2020/01/04	

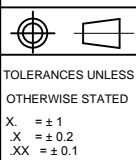


DP PCBA+PS8121E,
1080*1920@60Hz

- Remark:
- 100% Open/Short Test
 - Conductive Resistance:5ohms MAX
 - Insulation Resistance:10M ohm MIN.
 - HI-POT:DC 300V/10MS.
 - The product is RoHS compliant.
 - Support 1080P/60Hz

Item NO.	Length(m)
K5561SW.1V2	1.0m
K5561SW.2V2	2.0m
K5561SW.3V2	3.0m
K5561SW.5V2	5.0m

⑧	SR	45P PVC, Black	1PC	
⑦	Shell	Top and Bottom Shell, ABS with "D"Black	1PC	
⑥	Inernal Mold	Inner Mould PE	1PC	
⑤	Connector	DP male head hook + PCBA with IC(PS8121E), Gold-Plated	1PC	
④	External Mold	Outer Mould 45P PVC, Black	1PC	
③	Inernal Mold	Inner Mould PE	1PC	
②	Connector	HDMI A PLUG PIN, Gold-Plated	1PC	
①	Cable	(1/0.254BC*1P+AL+MY)*5+1/0.254*4C+AL+D:1/0.23BC+64ALB+OD5.5mm PVC, Black		
ITEM	DESCRIPTIONS & SPECIFICATIONS		QTY	REMARK



ERP NO.:		SAMPLE DWG NO.:	
DOC No.:		REVISION	A0
CUSTOMER:		UNIT	mm
CUSTOMER P/N:		SCALE	NO
DESCRIPTION		PAGE NO	1/1
		DATE	2020/01/04
APPROVAL	CHECKED	DRAWN	