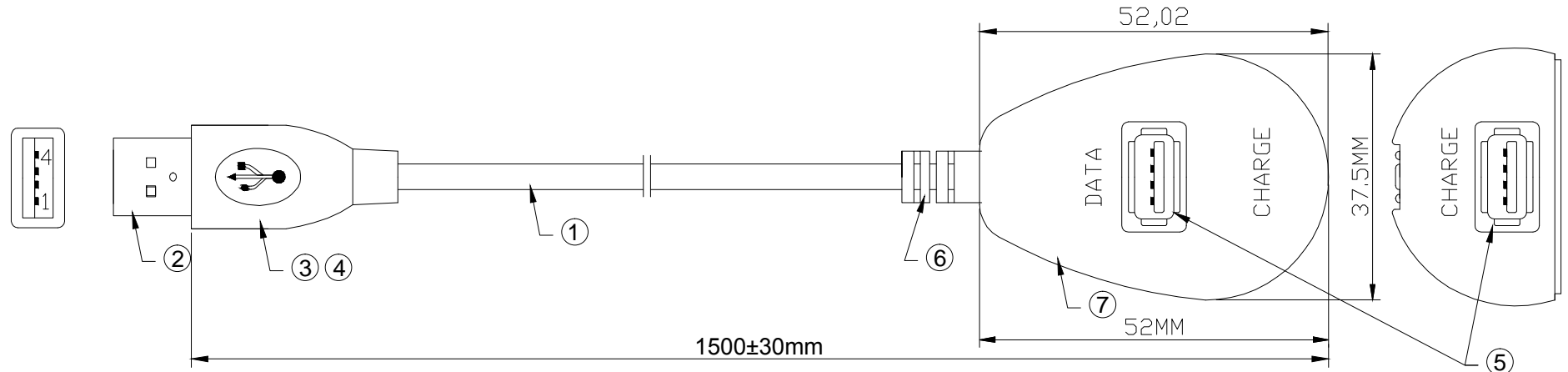
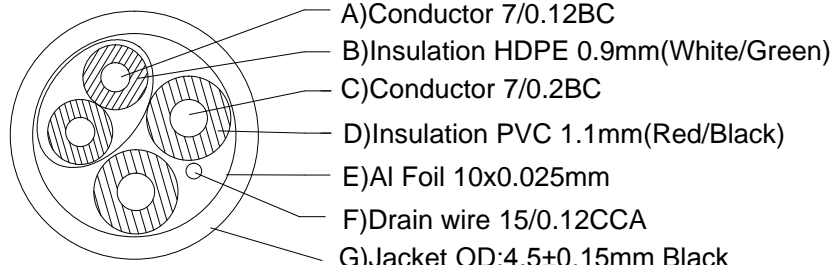
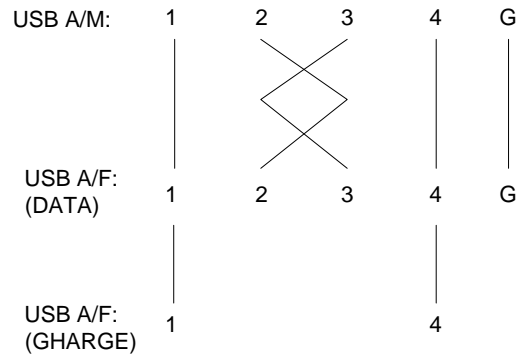


REV.	REVISED DESCRIPTION	DATE	CHECKED
A0	FIRST RELEASE	2021/04/26	



PIN ASSIGNMENT:

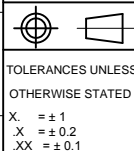


28+24AWG USB Cable Spec.

Remark:
1.100% Open/Short Test
2.The product is Reach/RoHS compliant.

Item NO.	Length(m)
EB438V2	1.5m

⑦	Body	Shell,ABS, Black	1SET	
⑥	SR	SR, 45PVC,Black	1PC	
⑤	Connector	USB 2.0 A Female, Nickle-Plated	2PCS	
④	External Mold	Outer Mould 45P PVC, Black	1PC	
③	Innernal Mold	Inner Mould PE	1PC	
②	Connector	USB 2.0 A Male, Nickle-Plated	1PC	
①	Cable	28+24 USB Cable OD:4.5mm 28+24 (7/0.12BC+HDPE)*1P + (7/0.20BC +PVC)*2C+15/0.12CCA+AL +OD4.5PVC Black		
ITEM	DESCRIPTIONS & SPECIFICATIONS		QTY	REMARK



ERP NO.:		SAMPLE DWG NO:	
DOC No.:		REVISION	A0
CUSTOMER:		UNIT	mm
CUSTOMER P/N:		SCALE	NO
DESCRIPTION USB 2.0 Docking series USB 28+24AWG USB Male to 2*USB Female black color Nickle Plated		PAGE NO	1/1
		DATE	2021/04/26
APPROVAL	CHECKED	DRAWN	