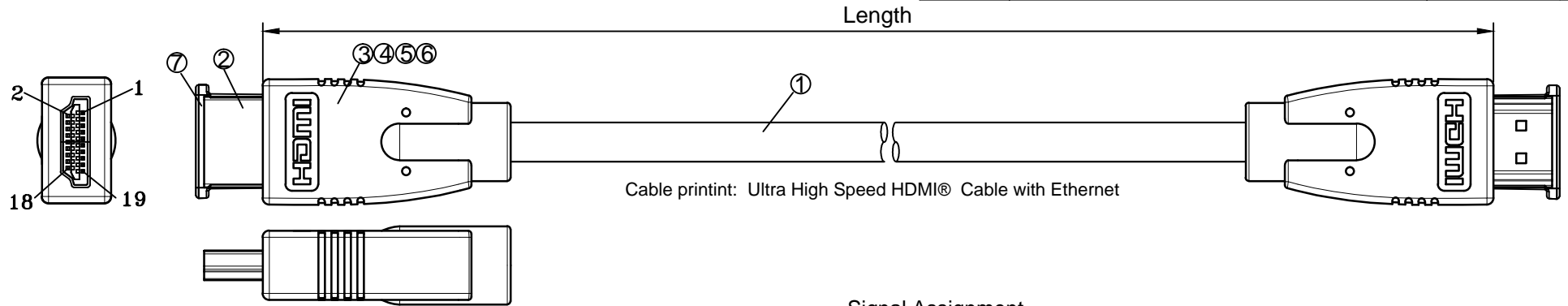
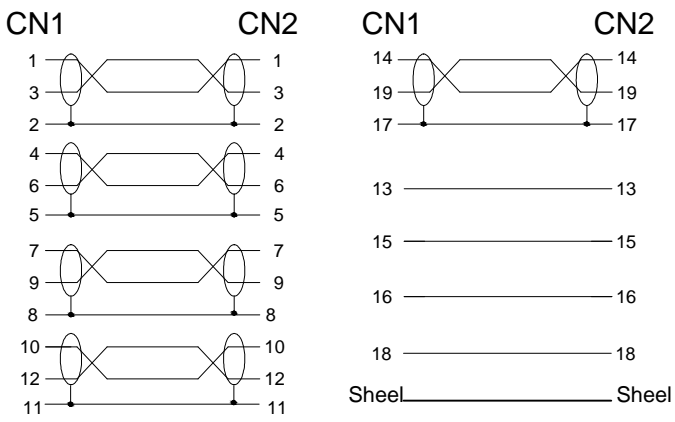


REV.	REVISED DESCRIPTION	DATE	CHECKED
A0	FIRST RELEASE	2019/12/18	



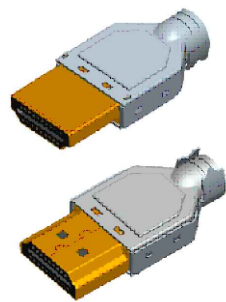
Cable printint: Ultra High Speed HDMI® Cable with Ethernet

Signal Assignment



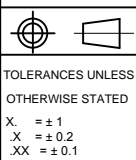
- Remark:
- 100% Open/Short Test
 - Conductive Resistance:10ohms MAX
 - Insulation Resistance:5M ohm MIN.
 - HI-POT:DC 300V/10MS.
 - The product is RoHS compliant.
 - Support 8K@60Hz

- Remark:
- 100% Open/Short Test
 - Conductive Resistance:10ohms MAX
 - Insulation Resistance:5M ohm MIN.
 - HI-POT:DC 300V/10MS.
 - The product is CE/RoHS compliant/Reach.
 - Resolution:8K@60Hz



Item NO.	Length(m)
K5440SW.1	1.0m
K5440SW.2	2.0m

⑦		HDMI Protective Cap, PE	2PCS	
⑥	External Mold	Outer Mould 45P PVC, Black		
⑤	Copper Foil	Double sided conductor Copper Foil W5xL30MM	2PCS	
④	Shielding Shell	Shielding Shell,tinplate	2PCS	
③	Bracket	Bracket PA66	2PCS	
②	Connector	HDMI A PLUG PIN, Gold-Plated	2PCS	
①	Cable	30AWG 2.1V 30AWG(1/0.254BC x 1P + D1/0.254TC + AL-Foil + HM-Mylar) x 5C + 1/0.254BC x 4C + F + AL-foil + D1/0.254TC + 144/0.12AL, OD=6.5 Black PVC		
ITEM	DESCRIPTIONS & SPECIFICATIONS		QTY	REMARK



ERP NO.:		SAMPLE DWG NO.:	
DOC No.:		REVISION	A0
CUSTOMER:		UNIT	mm
CUSTOMER P/N:		SCALE	NO
DESCRIPTION		PAGE NO	1/1
		DATE	2019/12/18
APPROVAL	CHECKED	DRAWN	