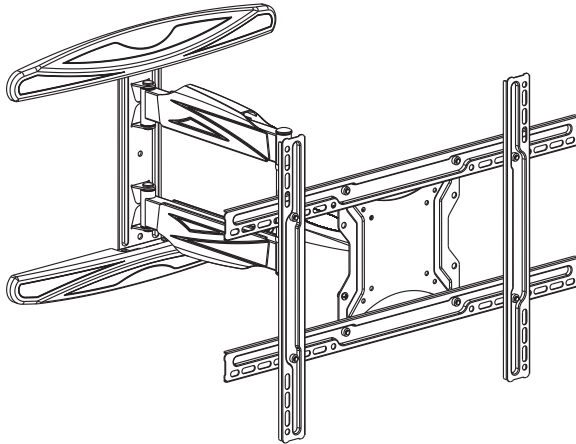


Installation Instruction



Suit for:
VESA 100x100
VESA 200x100
VESA 200x200
VESA 300x300
VESA 400x200
VESA 400x400
VESA 600x400

UNPACKING INSTRUCTIONS

- Carefully open the carton, remove contents and lay out on cardboard or other protective surface to avoid damage.
- Check package contents against the Supplied Parts List in the next page to assure that all components were received undamaged. Do not use damaged or defective parts.
- Carefully read all instructions before attempting installation.

IMPORTANT SAFETY INFORMATION

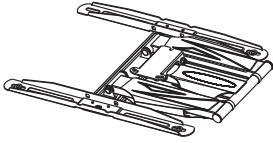
Install and operate this device with care. Please read this instruction before beginning the installation, and carefully follow all instructions contained herein. Use proper safety equipment during installation.

Please call a qualified installation contractor for help if you:

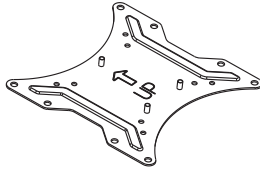
- If you don't understand these directions or have any doubts about the safety of the installation.
- If you are uncertain about the nature of your wall, consult a qualified installation contractor.

Do not use this product for any purpose or in any configuration not explicitly specified in this instruction. We hereby disclaims any and all liability for injury or damage arising from incorrect assembly, incorrect mounting, or incorrect use of this product.

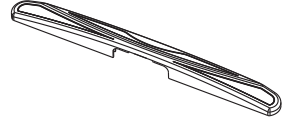
Supplied Parts List



(1)Wall Plate with Arm-a



(1)VESA 200 Plate-b



(2)Wall Plate Cover-c



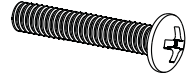
(4)M4x12 Bolt-d



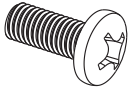
(4)M4x30 Bolt-e



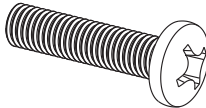
(4)M6x20 Bolt-f



(4)M6x35 Bolt-g



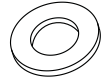
(4)M8x20 Bolt-h



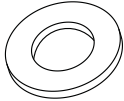
(4)M8x35 Bolt-i



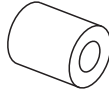
(4)M4 Washer-j



(4)M6 Washer-k



(10)M8 Washer-l



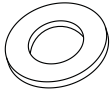
(4)M4 Spacer-m



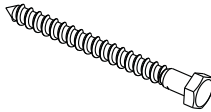
(8)M6/M8 Spacer-n



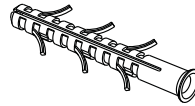
(3)Cushioned Nut-o



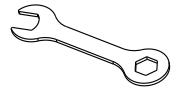
(3)Plastic Washer-p



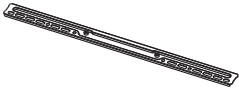
(6)M8x90 Lag Bolt-q



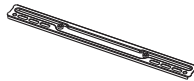
(6)M10x80 Concrete Anchor-r



(1)M6 Wrench-s



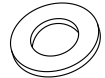
(2)Longer Bar-A



(2)Shorter Bar-B



(8)M6x8 Bolt-C



(8)M6 Washer-D

Tools Required

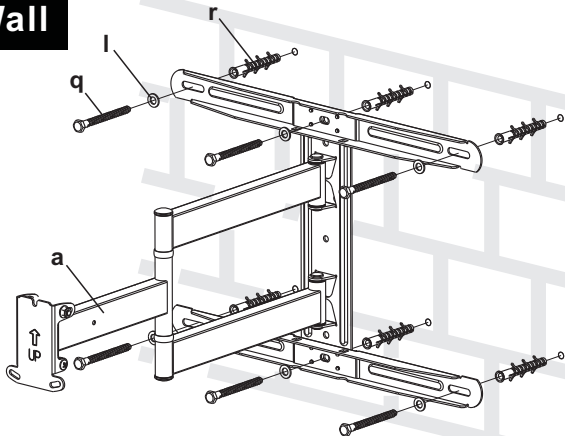
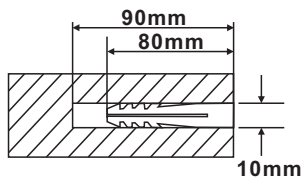
- 4mm Drill Bit
- Phillips Screwdriver

- 10mm Masonry Bit
- Carpenter's Level

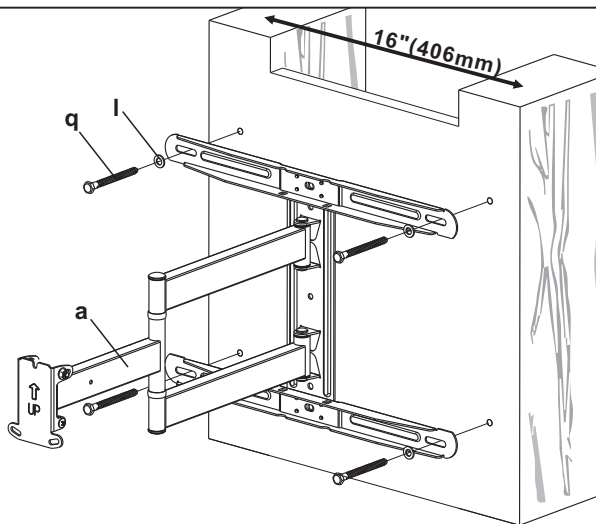
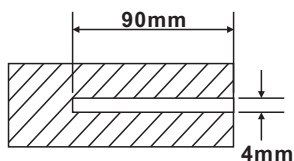
Step 1

Mounting the Wall Plate to the Wall

Brick or Concrete Wall



Wood Studs Wall



WARNING

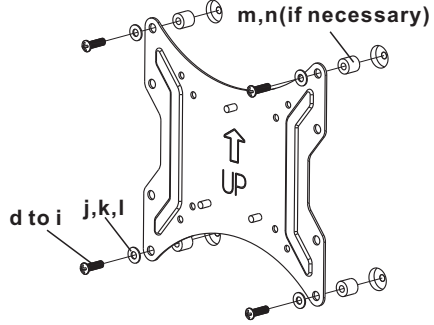
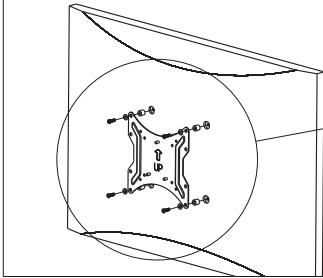
CAUTION!

This TV mount must be securely attached to the vertical wall. If the mount is not properly installed it may fall, resulting in possible injury and/or damage.

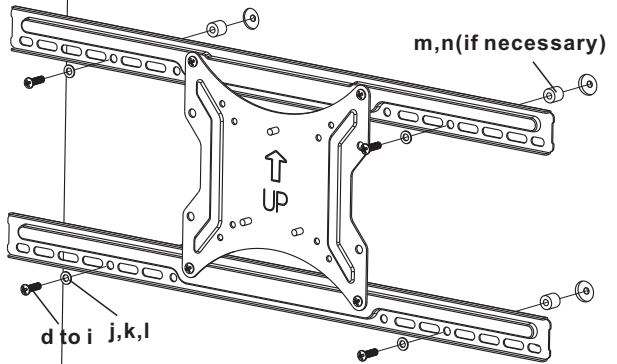
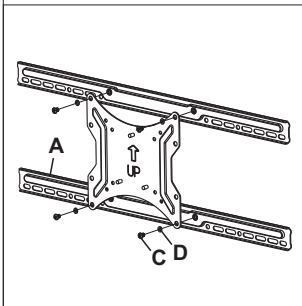
Step 2

Install VESA Plate to the back of TV

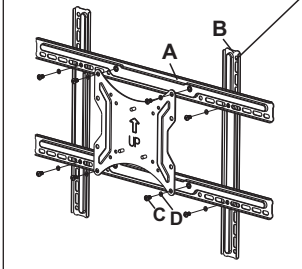
VESA 100x100
VESA 200x100
VESA 200x200



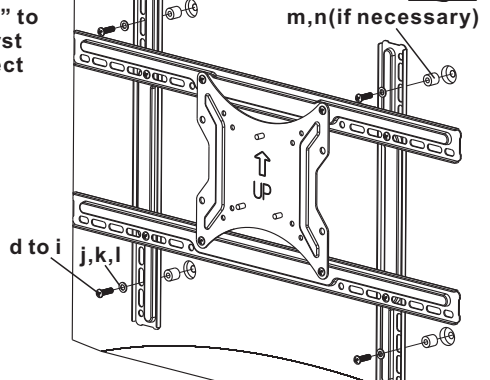
VESA 400x200



VESA 300x300
VESA 400x400
VESA 600x400

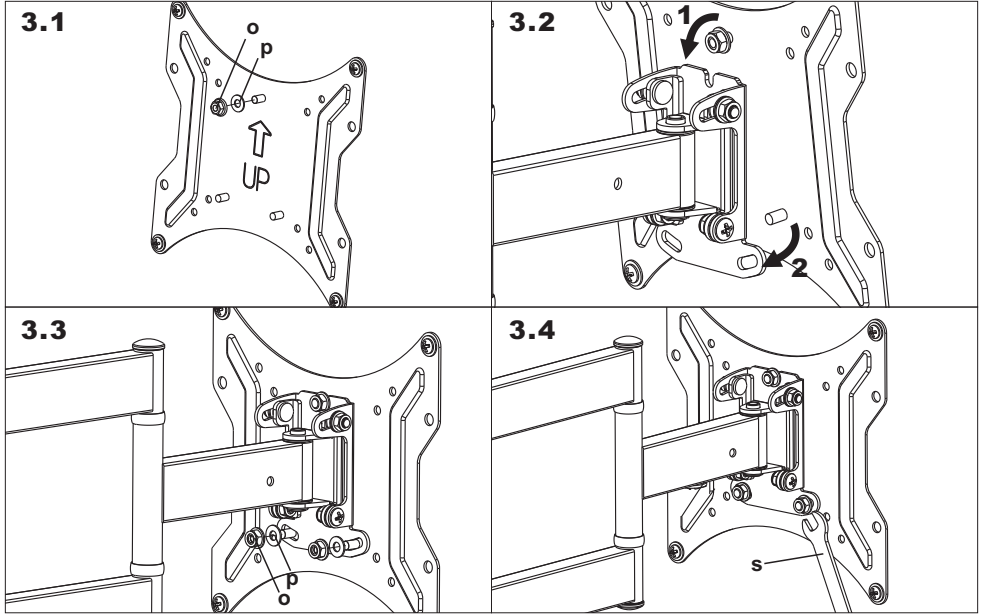


Install the "B" to back of TV first before connect to the "A".

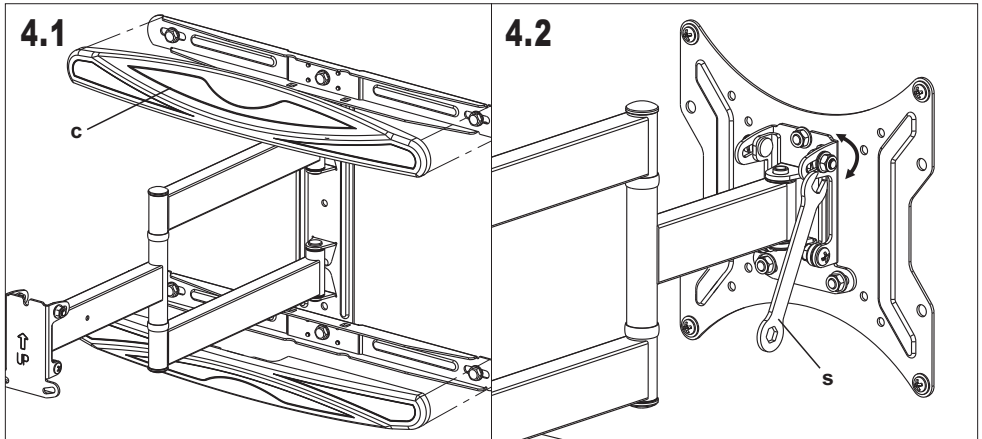


First of all, make sure the diameter and length of the Bolt(d,e,f,g,h,i) your TV requires. Once you have determined the correct diameter and length, you will thread the Bolt into the TV using the correct Washer(j,k,l). Use the Spacer(m,n) only if the bolts are too longer.

Step 3 Mounting the TV to the Wall Plate



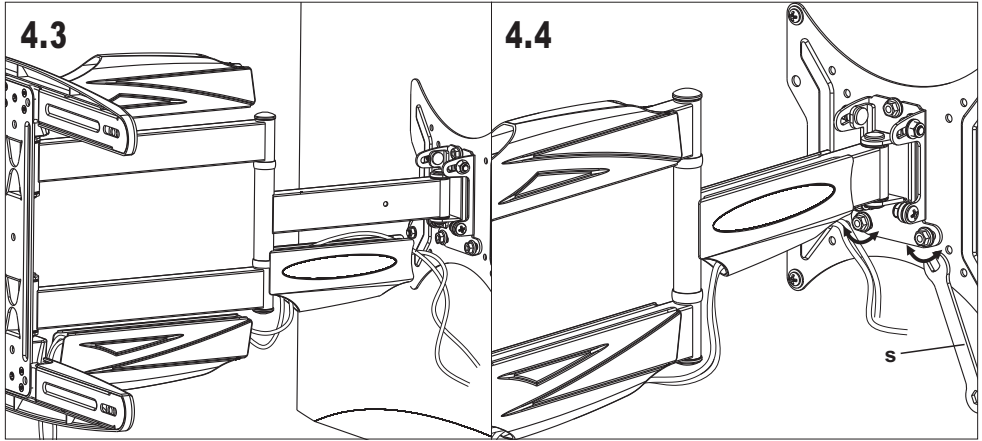
Step 4 Final Installation



Install the Wall Plate Covers

Adjust the Tilt Angle

Step 4 Final Installation



Manage the Wires

Level Adjustment

Thanks for choosing our products, enjoy the using.