

IES-3006 Series Industrial Switch



4 x 10/100/1000Mbps RJ-45 , plus :

- 2 x 10/100/1000Mbps RJ-45, or
- 2 x 100/1000Mbps SFP, or
- 1 x 10/100/1000Mbps RJ-45 and 1 x 100/1000Mbps SFP

Features

- **Power Redundancy over DC Input by Terminal Blocks**
Power redundancy could be satisfied via 2 DC Terminal Blocks to prevent the network connection from unintended power outage.
- **9K Bytes Jumbo Frames**
Support jumbo frame size 9K bytes to ease the network traffic loading and facilitate IPTV service.
- **DIN-Rail Mounting Installation Type**
Support DIN-Rail mounting type to facilitate the installation flexibility for general industrial application.
- **Operating Temperature -40°C ~ 75°C**
Support extended operating temperature to guarantee the reliability and stability in the critical environment condition with affordable cost.
- **Digital Output(DO) for Notification**
To immediately notify users of any unanticipated emergency, DO feature is sure to be useful.

Target Applications

- Point-to-point fiber connection for long distance which requires reliable and stable link under critical environmental condition of general industrial application.

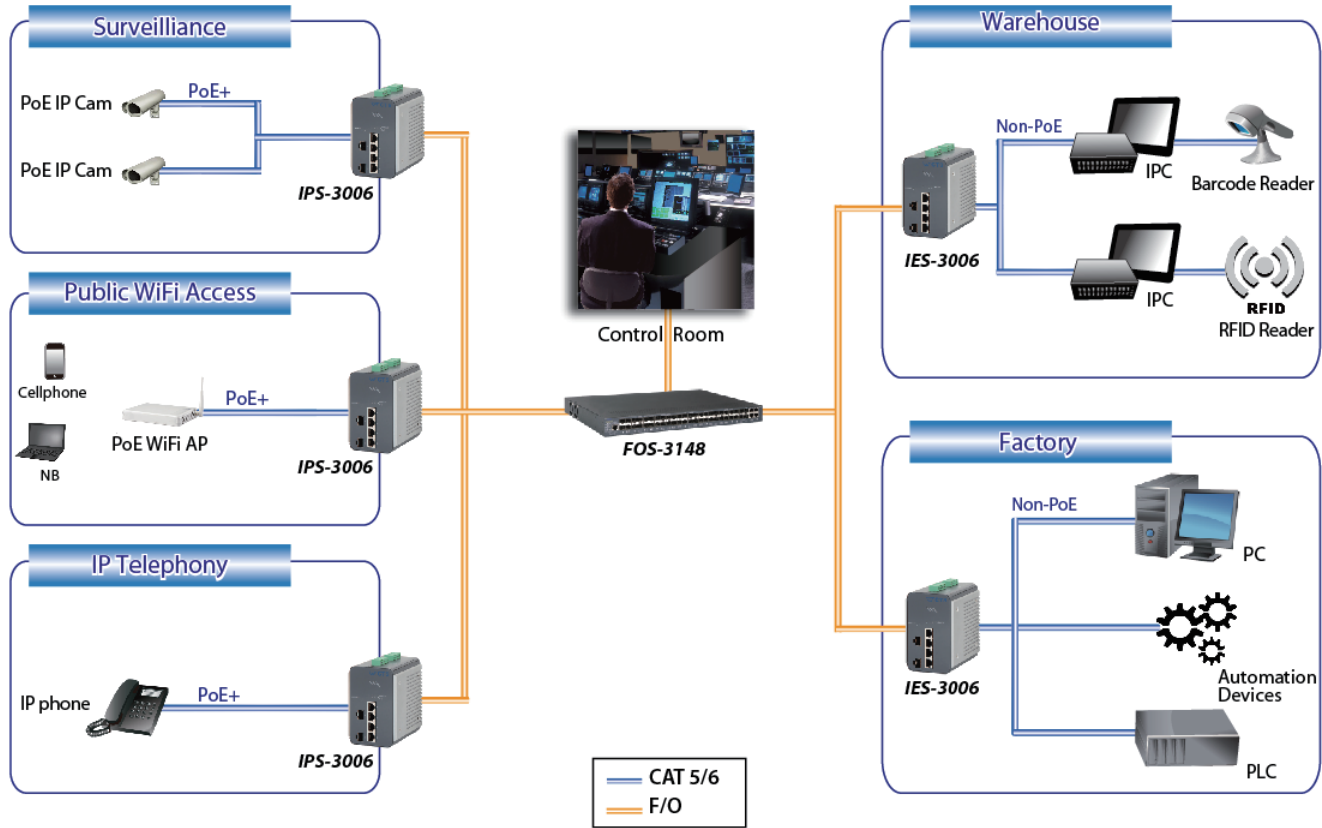
Description

Connection Technology Systems (CTS) IES-3006 series Industrial Switch are the Fast&Gigabit Ethernet 10/100/1000Base-T to 100/1000Base-X Industrial Switch. It switches the traditionally twisted-pair RJ-45 cable into various fiber optics media. The fiber optical port of IES-3006 series can support various connection distances via multi-mode fiber, single-mode fiber or Bi-directional single-mode fiber for the deployment to the control room, warehouse, or factory.

The IES-3006 Industrial Switch series are designed for deployment at industrial sites. With DIN-Rail mounting, you can easily mount the Industrial Switch at your sites such as factory or warehouse. The two Terminal Blocks can provide power redundancy to prevent any possible power outage.

The IES-3006 Industrial Switch series provide perfect solution at an extended operating temperature (-40°C ~ 75°C) to withstand against harsh environment for better performance. IES-3006 series are fully compliant with IEEE standards such as IEEE802.3/802.3u/802.3ab/802.3az to ensure interoperability between network devices.

Application Diagram



Specification

Interface

LAN :
-4 x 10/100/1000Mbps RJ-45
WAN :
-2 x 10/100/1000Mbps RJ-45, or
-2 x 100/1000Mbps SFP, or
-1 x 10/100/1000Mbps RJ-45 and
1 x 100/1000Mbps SFP

Standards

IEEE802.3 10Base-T
IEEE802.3u 100Base-TX/FX
IEEE802.3ab 1000Base-T
IEEE802.3z 1000Base-X
IEEE802.3x Flow Control

H/W Specification

Store and Forward Switching Mechanism
Auto Crossover for MDI/MDI-X in TP Ports
Auto Negotiation in TP Ports
Half/Full Duplex Mode Operation
Jumbo Frame up to : 9K Bytes
MAC Address Table : 2K
2 Digital Output(Alarm Relay) : 30VDC/1A (Max.)

Forward / Filter Rate

10M : 14,880/14,880pps
100M : 148,800/148,800pps
1000M : 1,488,000/1,488,000pps

LED

Power, Status
LAN/ACT, F/O

Installation Type

DIN-Rail Mounting

Power Requirement

DC Input :
-Terminal Block x 2
Input Voltage :
-DC : 12~54VDC
Power Consumption :
-DC : 5.1W
(Full Loading)

Environmental Condition

Operation: -40°C ~ 75°C
Storage Temperature: -40°C ~ 85°C
Humidity: 5% ~ 90%, Non-Condensing

Dimension & Weight

Size : 83 x 110 x 125 mm (WxDxH)
Weight : 0.97Kg
Housing : Metal, IP30

EMC/Safety

FCC Class A, CE

Order Information

IES-3006-DR

MODEL	FIBER PORT					TP PORT		
	Speed	Fiber Type	Connector	Distance	Ports	Speed	non-PoE	PoE
IES-3006SFP-DR	100/1000Mbps	SFP	-	-	2	10/100/1000Mbps	4	-
IES-3006SFP-F1-DR	100/1000Mbps	SFP	-	-	1	10/100/1000Mbps	5	-
IES-3006TP	-	-	-	-	-	10/100/1000Mbps	6	-

Power Supply

SDR-75-48	48V/75W DIN-Rail Power Supply	Working Temperature : -25°C~60°C, 75W 60°C~70°C, output derating 2.5% per degree (56W at 70°C)
WAP-POWER-48D240/SDR-240-48	48V/240W DIN-Rail Power Supply	Working Temperature : -25°C~60°C, 240W 60°C~70°C, output derating 2.5% per degree (180W at 70°C)

SFP-31-DR

MODEL	FIBER PORT					
	Speed	Type	Connector	Distance	Wavelength	Temperature
SFP-31FC-DR	100Mbps/1000Mbps	MM	LC	2KM/550M	1310nm	0°C to 70°C
SFP-31FC(SM-10)-DR	100Mbps/1000Mbps	SM	LC	10KM	1310nm	0°C to 70°C
SFP-31W2A(SM-10)-DR	100Mbps/1000Mbps	WDM	LC	10KM	TX:1310nm RX:1550nm	0°C to 70°C
SFP-31W2B(SM-10)-DR	100Mbps/1000Mbps	WDM	LC	10KM	TX:1550nm RX:1310nm	0°C to 70°C

SFP-31-D

MODEL	FIBER PORT					
	Speed	Type	Connector	Distance	Wavelength	Temperature
SFP-31FC-D	1000Mbps	MM	LC	550M	850nm	-40°C to 85°C
SFP-31FC-02-D	1000Mbps	MM	LC	2KM	1310nm	-40°C to 85°C
SFP-31FC(SM-10/20/40/80)-D	1000Mbps	SM	LC	10/20/40/80KM	1310nm/1310nm/1310nm/1550nm	-40°C to 85°C
SFP-31W2A(SM-10/20)-D	1000Mbps	WDM	LC	10/20KM	TX:1310nm/1310nm RX:1550nm/1550nm	-40°C to 85°C
SFP-31W2B(SM-10/20)-D	1000Mbps	WDM	LC	10/20KM	TX:1550nm/1550nm RX:1310nm/1310nm	-40°C to 85°C