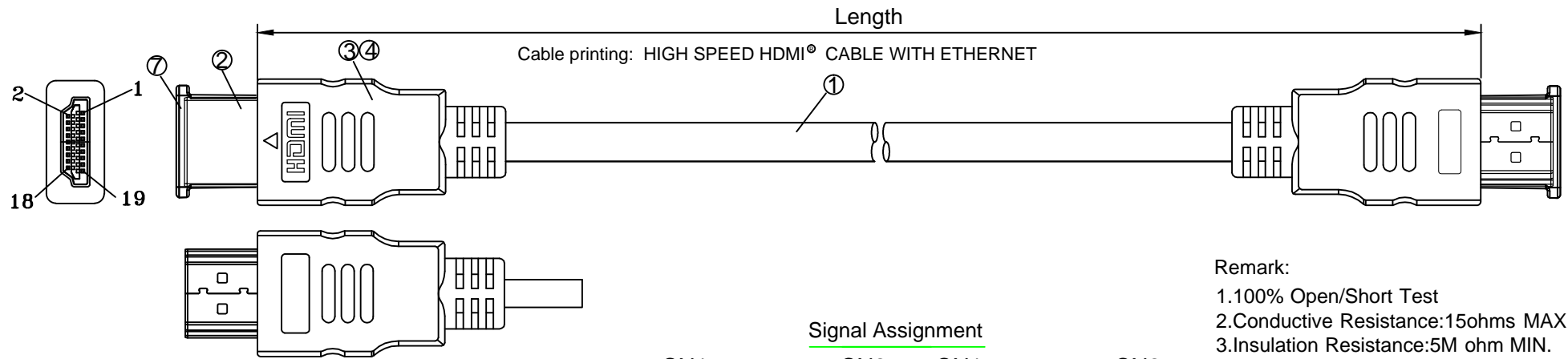
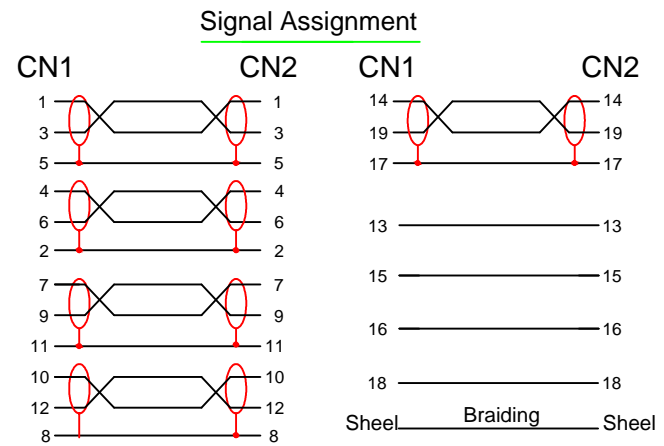
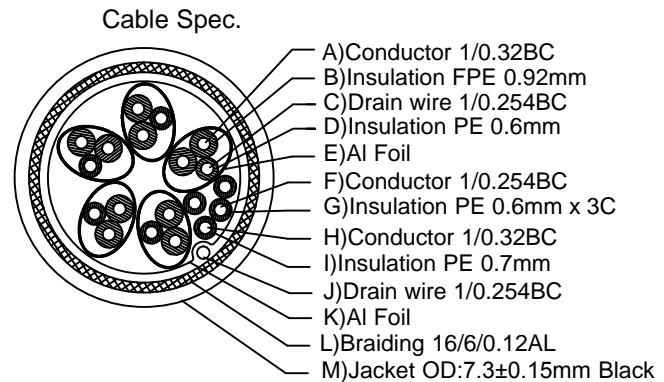


REV.	REVISED DESCRIPTION	DATE	CHECKED
A0	FIRST RELEASE	2019/11/23	

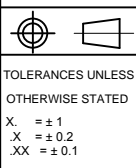


- Remark:
- 100% Open/Short Test
 - Conductive Resistance:15ohms MAX
 - Insulation Resistance:5M ohm MIN.
 - HI-POT:DC 300V/10MS.
 - The product is Reach/RoHS 2.0 compliant.
 - Support 4K*2K@60Hz



Item NO.	Length
K5431SW.5	5.0m
K5431SW.7.5	7.5m

⑤		HDMI Protective Cap, PE	2PCS	
④	External Mold	Outer Mould 45P PVC, Black	2PCS	
③	Inernal Mold	Inner Mould PE	2PCS	
②	Connector	HDMI A PLUG PIN, Gold-Plated	2PCS	
①	Cable	28+30+28AWG 2.0V (19+1BC) 96ALB HDMI Cable OD:7.3mm (0.32BC+FPE)*1P+D+AL] *5C + (0.254BC+HDPE)*3C + (0.32BC+HDPE)*1C + AL + D + 96ALB PVCOD7.3mm		
ITEM	DESCRIPTIONS & SPECIFICATIONS		QTY	REMARK



ERP NO.:		SAMPLE DWG NO.:	
DOC No.:		REVISION	A0
CUSTOMER:		UNIT	mm
CUSTOMER P/N:		SCALE	NO
DESCRIPTION	HDMI 2.0V 19+1BC 28+30+28AWG	PAGE NO	1/1
		DATE	2019/11/23
APPROVAL		CHECKED	
		DRAWN	