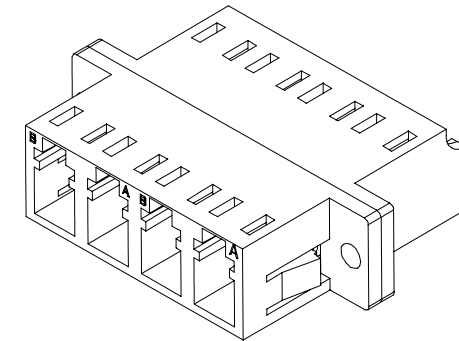
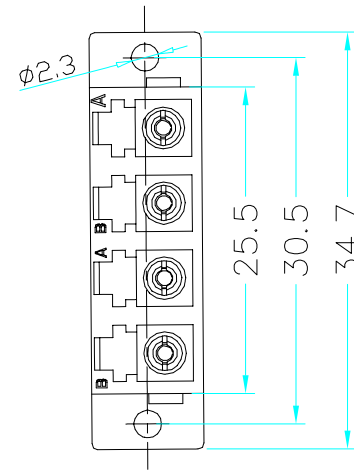
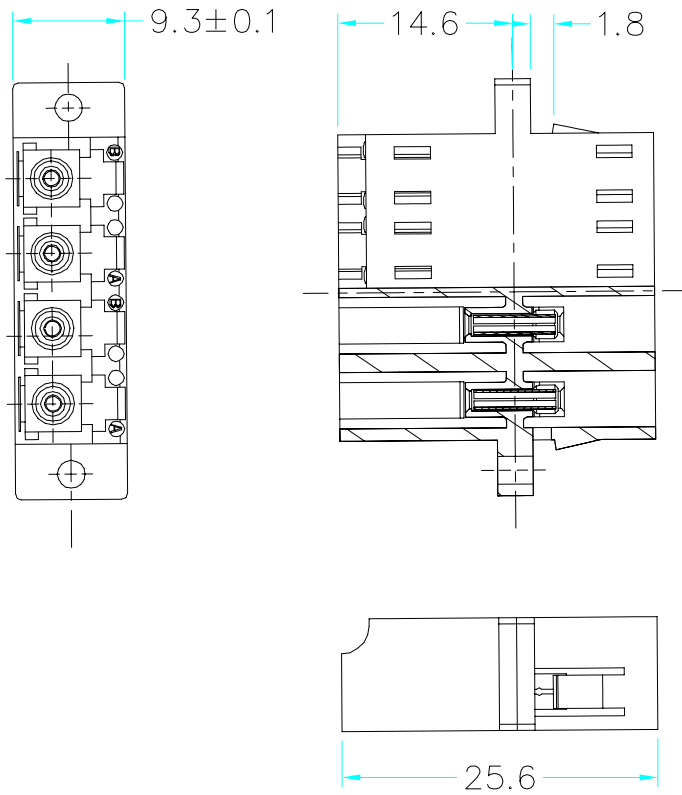


LC Multimode Quad Adapter , Beige



Specifications:

1. Housing Material: Plastic , Beige
2. Sleeve Material: ZrO₂(ceramic)
3. Insertion Loss: <0.2dB@850nm
4. Durability(500matings):0.2dB Max.increase
5. RoHS compliant
6. Operating temperature: -25°C~ 70°C
7. Storage temperature:-40°C~80°C
8. With snap-in fixing

**RoHS
compliant**



EFB

DESCRIPTIONS: LC Multimode Quad Adapter , Beige

Part No: 53352.3V1

Drawing No:

Page :1 of 1