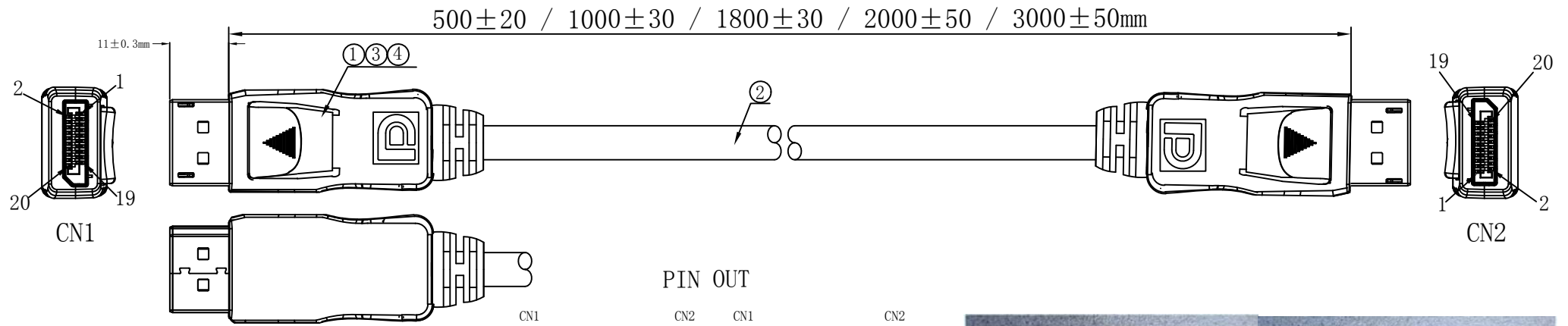
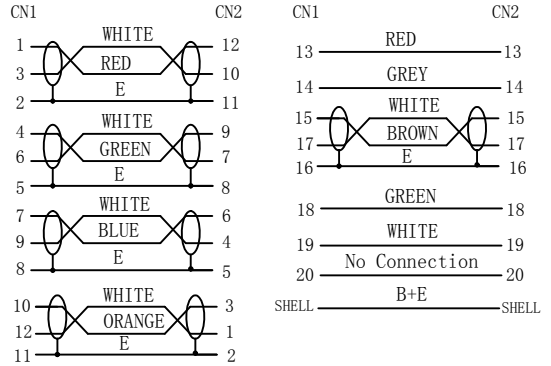


REVISIONS			
REV	DATE	DESCRIPTION	APPRO. BY



PIN OUT



NOTE:

- Electrical test:
  - 100% open short & miss wire test;
  - Insulation resistance: DC 200V 10MΩ MIN;
  - Contact resistance: 5Ω MAX;
- RoHS Compliant.
- Printing: DisplayPort 1.2 Cable 7810100
- Display Port 1.2 Version

MATERIAL LIST:

④	PLASTIC HOOD	COLOR/BLACK	2
③	OUTER MOLD	PVC 88A COLOR:BLACK	2
②	CABLE	DP 1.2V 30AWG(1/0.254BC*2C+E+AL+HM)*5+1/0.254BC*4C+AEB E=1/0.254BC B=0.12mm/5*16 AL-MG JACKER:PVC/BLACK OD:6.0±0.2mm	1
①	CONNECTOR	Display Port 20P/M Pin Gold-Plated Fu"; Shell Ni-Plated; Connector with 3 layer shielding; Metal housing with 360° shield clamp and copper foil	2
NO.	MAT. NAME	SPECIFICATION STANDARD	QT' Y

Length	ITEM NO.
0.5M	K5560SW.0.5
1.0M	K5560SW.1
1.8M	K5560SW.1.8
2.0M	K5560SW.2
3.0M	K5560SW.3

CUSTOMER'S ITEM	K5560SW.X	CUSTOMER	EFB	
DRAWING		TITLE	Display Port DP/M-DP/M	
UNIT	mm	SCALE	REV	A/0
DRAWN BY	CHECK BY	APPRO BY	DATE	
Zhouqinghua			2019/12/02	