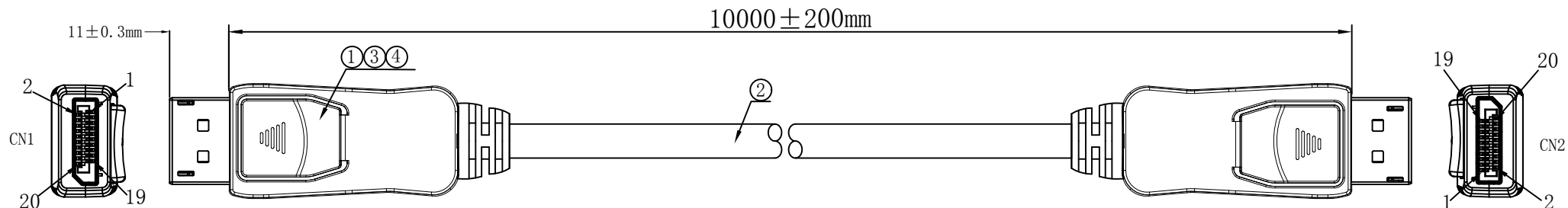
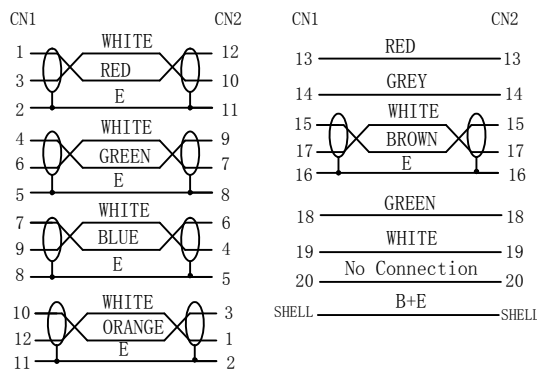


REVISIONS			
REV	DATE	DESCRIPTION	APPRO. BY



PIN OUT



NOTE:

1. Electrical test:

- (1). 100% open short & miss wire test;
- (2). Insulation resistance: DC 200V 10MΩ MIN;
- (3). Contactor resistance: 10Ω MAX;

2. RoHS Compliant.

3. Printing: DisplayPort 1.2 Cable 7810100

4. Display Port 1.2 Version

MATERIAL LIST:

④	PLASTIC HOOD	COLOR/BLACK	2
③	OUTER MOLD	PVC 88A COLOR:BLACK	2
②	CABLE	DP 1.2V 25AWG(1/0.45BC*1P+E+A+MYLAR)*5+28AWG(7/0.127BC*4C)+AEB B=0.12mm/8*16 AL-MG E=7/0.127BC JACKER:PVC/BLACK OD:8.0±0.2mm	1
①	CONNECTOR	Display Port 20P/M Pin Gold-Plated Fu"; Shell Ni-Plated;	2
NO.	MAT. NAME	SPECIFICATION STANDARD	QT' Y

CUSTOMER'S ITEM	K5560SW.10	CUSTOMER	EFB	
DRAWING		TITLE	Display Port DP/M-DP/M	
UNIT	mm	SCALE	REV	A/0
DRAWN BY	CHECK BY	APPRO BY	DATE	
Zhouqinghua			2020/01/13	