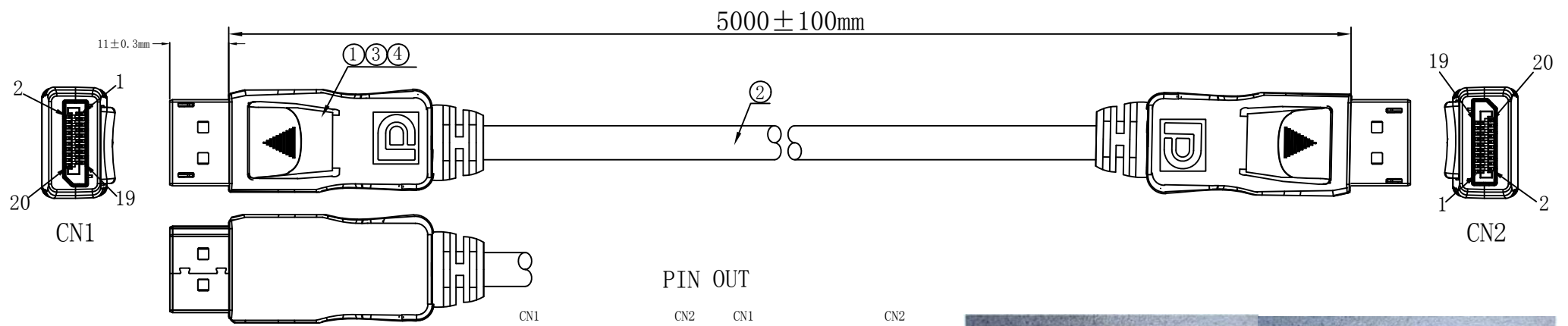
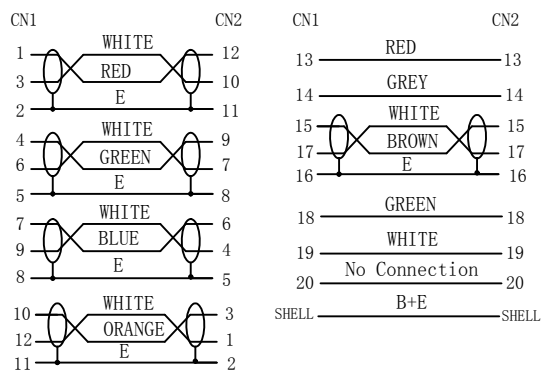


REVISIONS			
REV	DATE	DESCRIPTION	APPRO. BY



PIN OUT



NOTE:

- Electrical test:
 - 100% open short & miss wire test;
 - Insulation resistance: DC 200V 10MΩ MIN;
 - Contact resistance: 6Ω MAX;
- RoHS Compliant.
- Printing: DisplayPort 1.2 Cable 7810100
- Display Port 1.2 Version

MATERIAL LIST:

④	PLASTIC HOOD	COLOR/BLACK	2
③	OUTER MOLD	PVC 88A COLOR:BLACK	2
②	CABLE	DP 1.2V 28AWG (1/0.32BC*2C+E+AL+HM)*5+1/0.32BC*4C+AEB E=1/0.32BC B=0.12mm/7*16 AL-MG JACKER:PVC/BLACK OD:7.3±0.2mm	1
①	CONNECTOR	Display Port 20P/M Pin Gold-Plated Fu"; Shell Ni-Plated; Connector with 3 layer shielding; Metal housing with 360° shield clamp and copper foil	2
NO.	MAT. NAME	SPECIFICATION STANDARD	QT' Y

CUSTOMER'S ITEM	K5560SW.5	CUSTOMER	EFB	
DRAWING		TITLE	Display Port DP/M-DP/M	
UNIT	mm	SCALE	REV	A/0
DRAWN BY	CHECK BY	APPRO BY	DATE	
Zhouqinghua			2019/12/02	