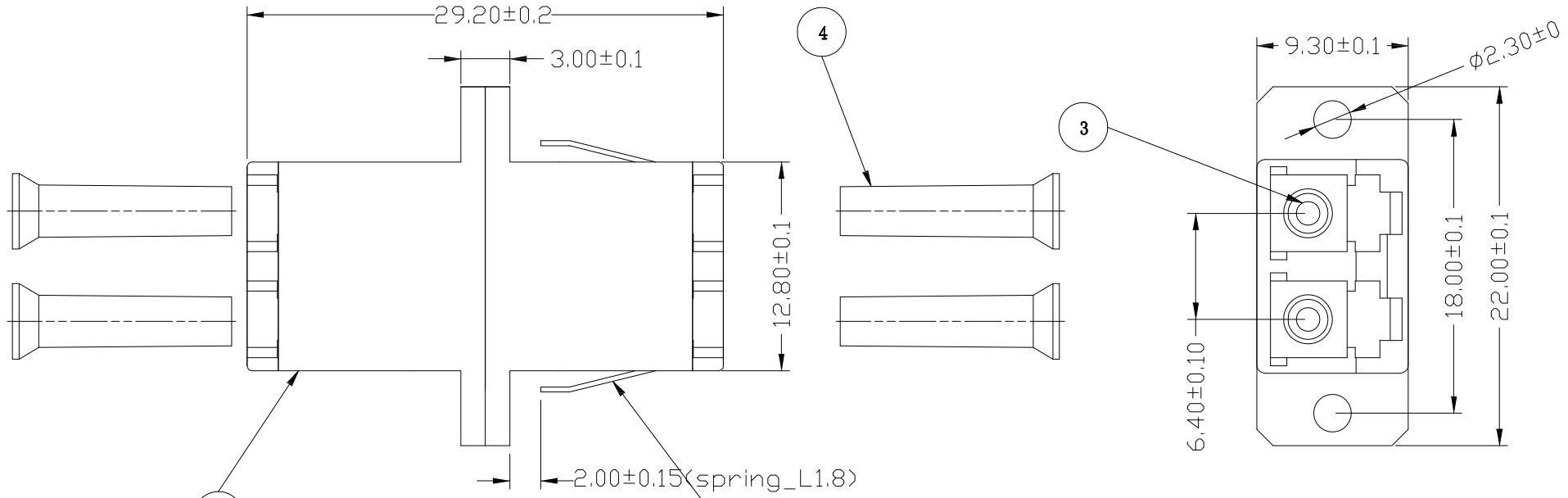


REV.	ECN.NO	MODIFY.CONTENT



NOTES:

Working temperature:
-40-85° C

Durability:

Durability:1000 cycles(to use master cord)

Insertion loss:

≤0.2dB

Anti Pulling Force:

≤19.6N

Torque requirement:

≤18cNm

Housing colour:

APC-->GREEN


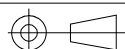
PC-->BLUE

MM-->Beige/OM3

5				
4	dust cap	4	PP	
3	sleeve	2	zirconia ceramics	
2	spring	1	SUS304	
1	LC DX housing	2	PC	
item	name	qty	material	note

X.± 0.20	X°.± 5°	UNITS MM
.X± 0.15	.X°.± 2°	MAT'L
.XX± 0.08	.XX°.± 1°	FINISH
.XXX± 0.05	.XXX°.± 0.5°	Q'TY
THESE DRAWINGS AND SPECIFICATIONS ARE THE PROPERTY OF MicroStar Electron COMPANY AND SHALL NOT BE REPRODUCED, COPIED OR USED IN ANY MANNER WITHOUT THE PRIOR WRITTEN CONSENT OF JU MING ELECTRON FACTORY		

NAME(INTENDED USE)	
Article NO.	53343.31
APPD:	
CHKD:	
DR:	DR:

 EFB							
TITLE: LC Adapter							
DWG NO.:							
	<table border="1"> <tr> <td>SCALE</td> <td>SHEET</td> <td>REV.</td> </tr> <tr> <td>1:1</td> <td>1/2</td> <td>A</td> </tr> </table>	SCALE	SHEET	REV.	1:1	1/2	A
SCALE	SHEET	REV.					
1:1	1/2	A					